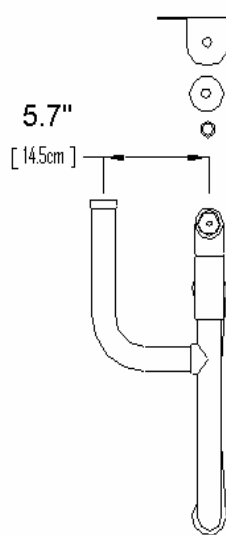
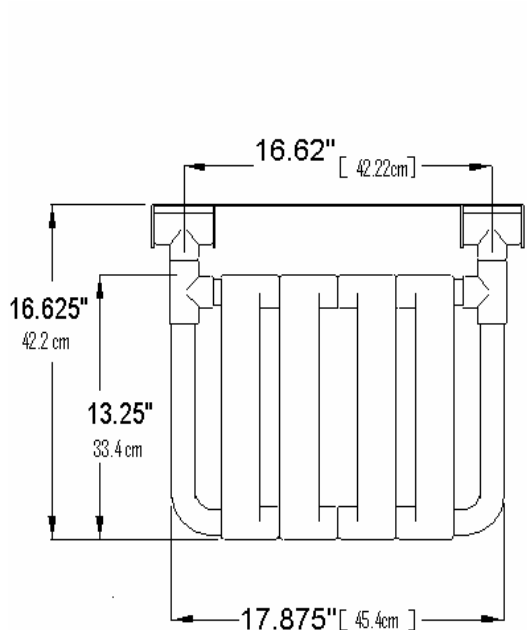


RECTANGULAR (ADA) SHOWER SEAT - PURSSxx

PURSSxx – **PURE ELEGANCE™** Rectangular Shower Seat.
Indicate WH for White and BO for Bone / Almond.

Nylon Staves incorporated onto the PURE ELEGANCE Grab Bar material (frame).
ADA Compliant when installed to ADAAG specifications.

Seat Folds to a vertical position. Movement resistance is determined by degree the hinged is tightened. It is recommended that the seat hinge be tightened at a minimum to support the weight of the Seat. **STRUCTURAL BLOCKING REQUIRED.**



- Hydro-Tube Steel core - superior strength.
- Heavy Nylon Sheath Exterior.
- Seat is hinged to allow folding.
- Friction Hinge allows for adjustable tension.
- Matching Grab Bars and Bath Accessories available.
- Stainless Steel mount plate and hinge.

Required ADA finished height seat height is 18" from finished floor. Grab Bars should be mounted 33"-36" from finished floor.

PADDED STAVE COVERS with Antibacterial properties available.

STRUCTURAL BLOCKING REQUIRED.

Available in:

White (WH) and Bone / Almond (BO) Colour.

SPECIFICATION:

Frame shall be made from PURE ELEGANCE® Grab Bar material and shall be 1/4" (32mm) Diameter. Hinge Plate (1/8", 3.2mm) and Pin (1/2", 12mm) shall be made from 18/8 Stainless Steel and incorporate nylon disks for Friction Control. Staves (cross members) shall be made of Nylon and color match the Frame.

Frame construction shall be 1/8" (3mm) thermo-set Nylons Sheath set onto 1" (25mm) Hydro-tube steel core with 0.10" (2.54mm) wall thickness. Hinge cover shall be nylon to match the grab bar sheath and shall snap over the mounting flange to conceal mounting screw. Shower Seat shall comply with barrier-free accessibility guidelines (including ADAAG in the U.S.A.) for structural strength. Manufacturer's service and parts manual shall be provided to the building owner/manager upon completion of project.