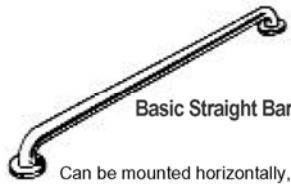


WingIt Stainless Steel Grab Bars – Technical Data Sheet

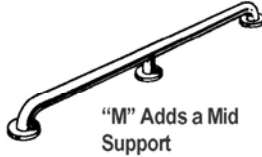


Basic Straight Bar

Can be mounted horizontally, vertically or diagonally for use individually or in combination with other grab bars such as the 2040 Horizontal Corner Bar or 3033Y Wall to Floor Bar.

Standard Lengths

12" (305mm)	30" (762mm)	42" (1067mm)
16" (406mm)	32" (813mm)	48" (1219mm)
18" (457mm)	36" (914mm)	52" (1321mm)
24" (610mm)	40" (1016mm)	54" (1372mm)

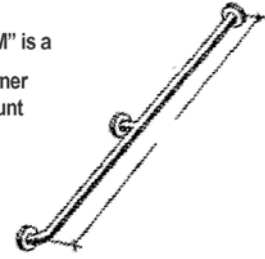


"M" Adds a Mid Support

Standard Lengths

36M (914mm)	54M (1372mm)	96M (2438mm)
42M (1067mm)	60M (1524mm)	108M (2743mm)
48M (1219mm)	72M (1829mm)	
52M (1321mm)	84M (2134mm)	

"CM" is a Corner Mount



Standard Lengths

42CM (1067mm)	52CM (1321mm)
48CM (1219mm)	54CM (1372mm)

Almost any bar shown can be modified to different dimensions. Let us know your requirements.

Toilet Wall-to-Floor Bars



Provides the same function as the 3033 without outrigger at floor; however, the bar has a 4" extension set into a concrete floor.

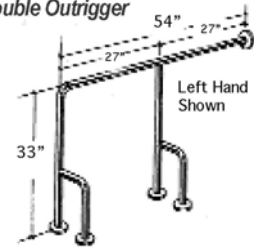


Exceptionally sturdy design allows surface mounting without outrigger or extension. Satin stainless steel tubing and bright chrome plated brass covered flanges slip over steel liners attached to wall and floor.



Surface mounted bars utilize outriggers at floor to stabilize. If the bar is on the right when using the toilet, specify right hand. If reverse, specify left.

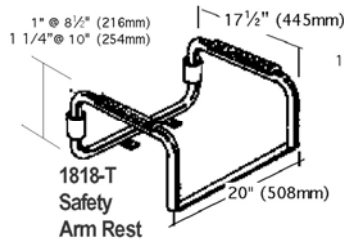
3033D Wall to Floor Bar with Double Outrigger



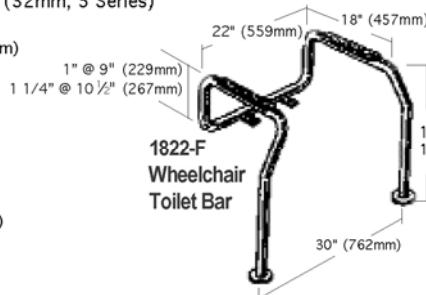
Or create your own size: 3033WXM @ ___ horizontal x ___ vertical
 (list horizontal dimension first) 3033YM @ ___ horizontal x ___ vertical
 3033M @ ___ horizontal x ___ vertical
 3033DM @ ___ horizontal x ___ vertical

Toilet Bars

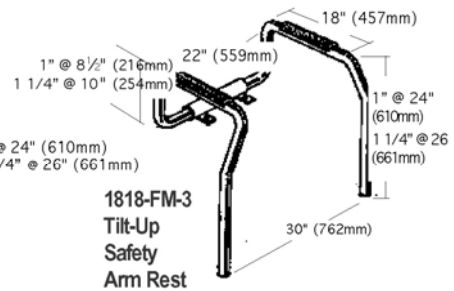
Plastic arm rest not available on 1 1/4" (32mm, 5 Series)



Detachable for easy cleaning.



1822-F Wheelchair Toilet Bar



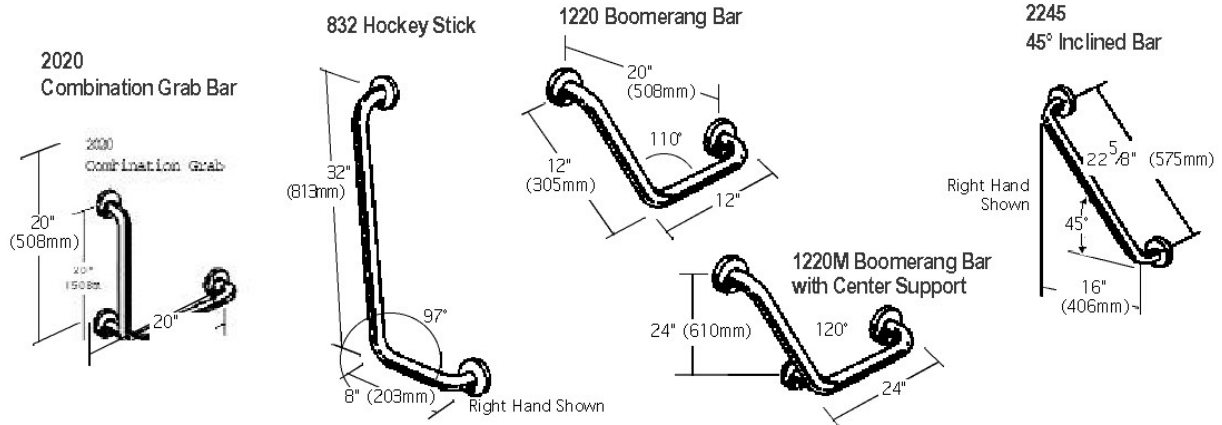
1818-FM-3 Tilt-Up Safety Arm Rest

Extra wide legs for easy access by wheelchair users. The 1822-F mounts to the floor and the 1818-FM-3 tilts up for easy cleaning. Both bars fit toilet bowl height of 15" - 15 1/2" (381-394mm), but can be modified to fit your requirements.

WingIt Stainless Steel Grab Bars – Technical Data Sheet

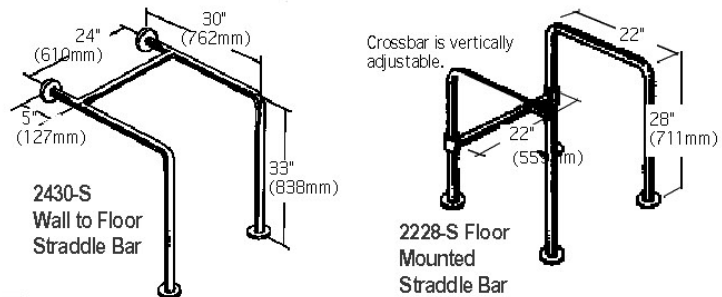
Angle Bars

These bars are excellent for walls with limited space. If the 832 is on the right when the person is sitting on the toilet, specify right hand. If reverse, specify left. The 2020, 2245, 1220 and 1220M have universal handing with round flanges; with diamond or square flanges, specify right or left as per Hockey Stick below.

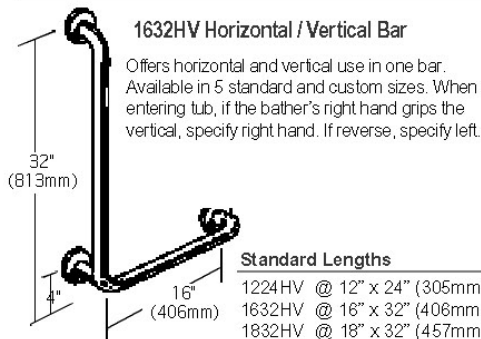


Straddle Bars

Straddle bars provide support on both sides of the toilet. The 2424-S, 2424-SF, and 2424-SN are wall mounted for simple maintenance around toilet. Where wheelchair accessibility is desired, width of straddle bars may be ordered at 30" (762mm) (add -30 to model #). The crossbar on the 2424-SN is attached to the parallel bars at the jobsite with epoxy provided. For removable crossbar with set screws, specify 2424-SNR.



Bathtub Combination Bars



Standard Lengths

1224HV @ 12" x 24" (305mm x 610mm)
1632HV @ 16" x 32" (406mm x 813mm)
1832HV @ 18" x 32" (457mm x 813mm)
2436HV @ 24" x 36" (610mm x 914mm)
2448HV @ 24" x 48" (610mm x 1219mm)

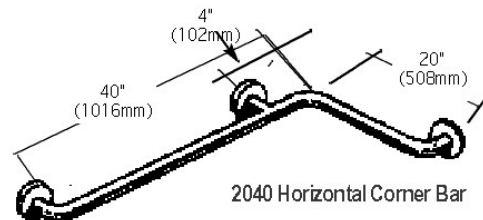
Or Create Your Own
 1632HV @ _____horizontal x _____vertical

These useful bars provide gripping surface on two walls. May be mounted either left or right.

Standard Lengths

1631HC @ 16" x 31" (406mm x 787mm)	3648HC @ 36" x 48" (914mm x 1219mm)
2040HC @ 20" x 40" (508mm x 1016mm)	3652HC @ 36" x 52" (914mm x 1321mm)
2424HC @ 24" x 24" (610mm x 610mm)	3654HC @ 36" x 54" (914mm x 1372mm)
2436HC @ 24" x 36" (610mm x 914mm)	4252HC @ 42" x 52" (1067mm x 1321mm)

Or Create Your Own
 2040HC @ _____horizontal x _____vertical



Maintenance of Stainless Steel

Stainless steel Type 304 is an ornamental grade chromium/nickel alloy with excellent corrosion resistance, luster, strength and durability. Under normal conditions and with proper maintenance the products will provide many years of service. However, stainless steel is not stain or rust proof. Regular maintenance is required to keep the metal clean and free of contaminants. After cleaning with a mild ammonia-based cleaner, rinse with water and wipe dry. For further information, please contact WingIts.