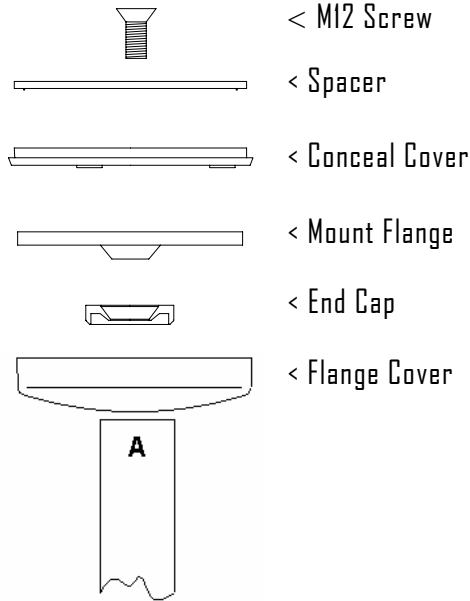


PURE ELEGANCE™ Grab Bars

PURE ELEGANCE™ Grab Bars exceed specifications and can be used to comply with American with Disabilities Act Accessibility Guidelines (ADAAG) and *Safety Rails in Hazardous Locations* criteria.



< M12 Screw

< Spacer

< Conceal Cover

< Mount Flange

< End Cap

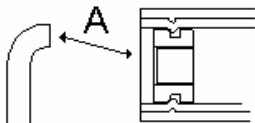
< Flange Cover

PURE ELEGANCE™ Grab Bars are manufactured from formed steel *Hydro-Tubing* (1/8" thick wall) completely concealed by a slip resistant 1/8" thick *Seamless Nylon Sheath*.

An *M12 Nut* has been press-welded into the end of the *Hydro-Tubing* as seen in Part 'A' on the drawing (below left). The nylon *End Cap* seals in the tube when it is fitted and compressed by installation of the stainless steel *Mount Flange* and the stainless steel *M12 Screw*.

The nylon *Conceal Cover* is fitted onto the *Mount Flange* and is a receptor for the nylon *Flange Cover*. Upon final installation the *Flange Cover* interlocks with the *Conceal Cover* and rest on the nylon *End Cap* to create a tight seal.

The nylon *Spacer* is left in place when installing the Grab Bar into structural blocking. Dispose of the *Spacer* when using the patented *WingIt Grab Bar Fastening System*.



LENGTH 'X' IS TO FLANGE CENTERS.
ADD 3" FOR OVERALL DIMENSIONS.

LENGTH 'X'
12"/300 mm
16"/410 mm
18"/460 mm
24"/610 mm
30"/760 mm
32"/810 mm
36"/910 mm
42"/1070 mm
48"/1220 mm

- SEAMLESS NYLON for unequaled beauty and purity – no joints to collect dirt and bacteria.
- Soft NYLON exterior gives a sense of *warmth* and a non-slip surface!
- Hydro-Tube interior allows for unmatched strength.
- Heavy Duty 18/8 Stainless Steel M12 Screw and Stainless Steel Mount Flange allow for use in wet areas – all exposed metals are stainless.
- Italian Designed products are sleek and understated, ... PURE ELEGANCE!
- Matching Combination Bars, Shower Seats, Tub Benches, Stools, Fold Down Bars, STRUCTURAL Towel Bars and all Bath Accessories available.
- Designed to be used with the *WingIt Grab Bar Fastening System* – or adequate blocking.
- Eliminates the commercial look from Grab Bars, Safety Products and Bathroom Accessories.
- **Diameter 1.25"**
- **Standard Lengths 12", 16", 18", 24", 30", 32", 36", 42" & 48"**

SPECIFICATION:

Grab Bars shall be 1 ¼" (32mm) Diameter. Clearance between the grab bar and wall shall be 1-1/2" (38mm). Grab bar shall be 1/8" (3mm) thermo-set Nylons Sheath set onto Hydro-tube steel core with 0.10" (2.54mm) wall thickness. Mounting Flanges shall be 1/8" (3mm) Stainless Steel with 3" (76mm) diameter and secured to the grab bar with M12 (½") Stainless Steel Screws. Flange cover shall incorporate a spacer to be removed when using the WingIt Grab Bar Fastening System. Flange covers shall be nylon to match the grab bar sheath, and shall snap over the mounting flange to conceal mounting screws and/or the patented WingIt Fastening System. Grab bar shall comply with barrier-free accessibility guidelines (including ADAAG in the U.S.A.) for structural strength. Manufacturer's service and parts manual shall be provided to the building owner/manager.