

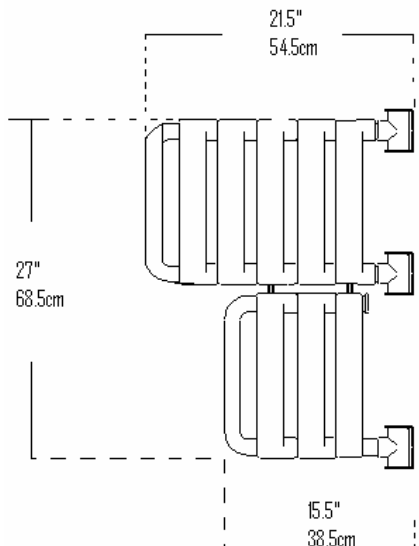
WingIt PURE ELEGANCE® Seats and Combination Grab Bars

Description

PRODUCT CODE

XX – change to WH for White or BO for Bone

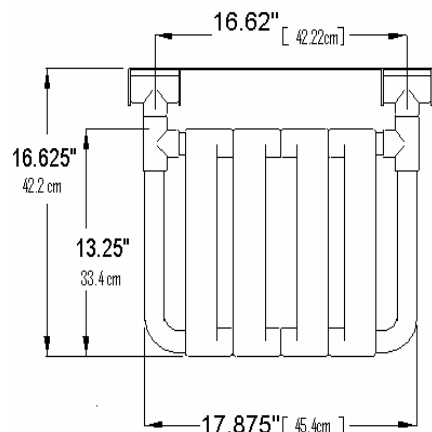
ADA Extended Folding Shower Seat



Left Hand: LH PUEXSSLHXX
 Right Hand: RH PUEXSSRHXX

Soft NON-SLIP Nylon Frame with Nylon Staves. Padded Seat Covers available.

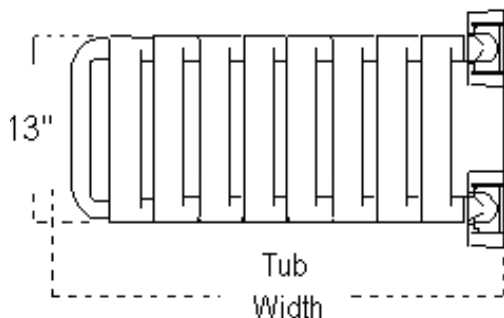
Rectangular Shower Seat



PURSSXX

Soft NON-SLIP Nylon Frame with Nylon Staves. Padded Seat Covers available.

Folding Tub Bench

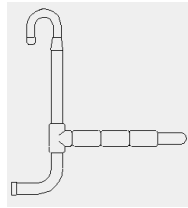


Length 30" PUTB30XX
 Length 32" PUTB32XX
 Length 36" PUTB36XX (special order)

Soft NON-SLIP Nylon Frame with Nylon Staves. Padded Seat Covers available.

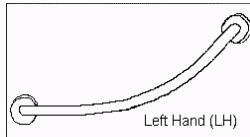
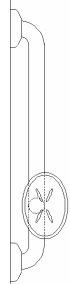
WingIt PURE ELEGANCE® Seats and Combination Grab Bars

Removable Seat – requires grab bar.



PRODUCT CODE
PURSXX

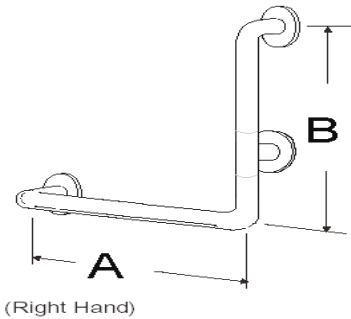
Soft NON-SLIP Nylon Frame with Nylon Staves.
Padded Seat Covers available.



Curved Bar w/Soap Dish
Far Left "Downward View"
Curved Bar No Soap Dish
Left Hand "LH" Shown

PUCBSDLHXX
PUCBSDRHXX
PUCBRHXX
PUCBLHXX

Horizontal / Vertical "L" Grab Bars



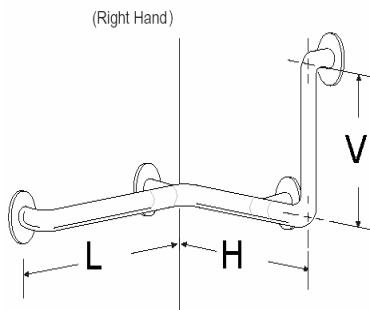
A	B
16"	24"
16"	28"
16"	36"
16"	42"
16"	48"
24"	24"
24"	28"
24"	36"
24"	42"
24"	48"

PUHV1624xx-zz
PUHV1628xx-zz
PUHV1636xx-zz
PUHV1642xx-zz
PUHV1648xx-zz
PUHV2424xx-zz
PUHV2428xx-zz
PUHV2436xx-zz
PUHV2442xx-zz
PUHV2448xx-zz

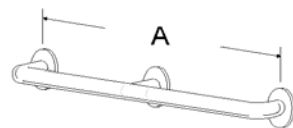
Three Dimensional Grab Bar: See Diagram Below

Leg	Horizontal	Vertical
28"	32"	36"
36"	32"	36"
42"	32"	36"
48"	32"	36"

PU3D28xx-zz
PU3D36xx-zz
PU3D42xx-zz
PU3D48xx-zz



Straight Bar with Mid Support : A



49"
61"
69"
73"

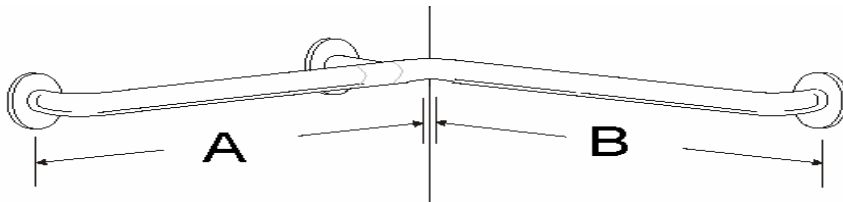
PUMS49xx
PUMS61xx
PUMS69xx
PUMS73xx

XX – change to WH for WHite or BO for BOne

WingIt PURE ELEGANCE® Seats and Combination Grab Bars

Two Wall Grab Bars

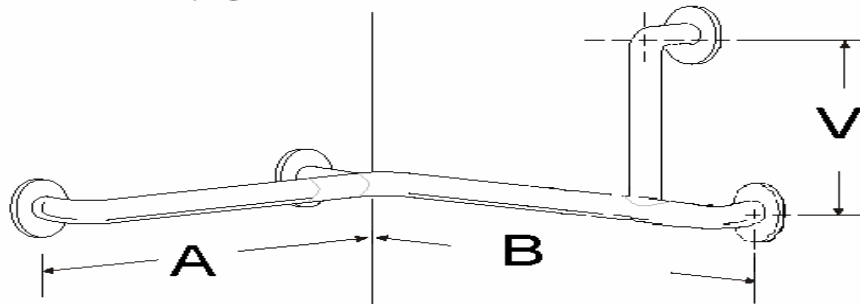
A	B	PRODUCT CODE
16"	24"	PUTW1624xx
16"	36"	PUTW1636xx
16"	42"	PUTW1642xx
24"	24"	PUTW2424xx
24"	28"	PUTW2428xx
24"	36"	PUTW2436xx
24"	42"	PUTW2442xx
24"	48"	PUTW2448xx
30"	36"	PUTW3036xx
30"	42"	PUTW3042xx
30"	48"	PUTW3048xx
30"	54"	PUTW3054xx
36"	28"	PUTW3628xx
36"	36"	PUTW3636xx
36"	42"	PUTW3642xx
36"	48"	PUTW3648xx
36"	54"	PUTW3654xx



Two Wall Grab Bar with Vertical Support – Same as above with Vertical Support Rail

V	PRODUCT CODE
24"	PV24xx
36"	PV36xx
42"	PV42xx
48"	PV48xx

(Right Hand)



NOTES:

Standard assembly of Vertical Support Rail will be in 6" from grab bar end unless otherwise identified.

ADD OUR HAND SHOWER HEAD HOLDER TO ANY PURE ELEGANCE® GRAB BAR – use code PUHSHxx with the xx indicating color. WH = White and BO = Bone/Almond and BI = Biscuit

WingIt PURE ELEGANCE® Seats and Combination Grab Bars

MATERIALS:

Grab Bar – 1.25" (32mm) overall tube diameter. 1" (25mm) Hydro tubing steel core with 0.10" (2.54mm) wall thickness, sealed within an engineered non-slip thermo-set Nylon sheath, 1/8" thick (3.2mm). Clearance between the grab bar and wall is 1-1/2" (38mm).

Concealed Mounting Flanges – 18-8 S, type-304, 1/8" (3mm) thick, stainless steel plate; end flanges 3" x 3" (76mm) diameter with four holes for attachment to wall. Intermediate flanges 3" x 3" (76mm) diameter. Secured to the Grab using M12 (1/2") Stainless Steel Flat Head Screws. Includes matching nylon Snap-on Flange Covers – each cover snaps over mounting flange to conceal mounting screws. Snap-on flange covers incorporate a spacer that is removed when installing with WingIts, allowing the grab bar to maintain its position off the wall (1.5"/38mm) and aesthetic regardless of installation method.

Finishes – Standard Finishes include White, Biscuit (derived from Kohler® Biscuit) and Bone (derived from American Standard® Bone/Almond). 1/8" thick (3.2mm) Nylon Sheath has a smooth, seamless surface and tight fitting snap-on flange covers to eliminate locations for dirt and bacteria to accumulate. The thermo-set nylon sheath has been developed to have non-slip properties

STRENGTH:

PURE ELEGANCE® grab bars that provide 1-1/2" (38mm) clearance from wall can support loads in excess of 440 pounds (200kg) if properly installed. Other grab bar configurations can support loads in excess of 250 pounds (113kg) if properly installed, complying with barrier-free accessibility guidelines (including ADAAG in the U.S.A.) for structural strength

Warning: *Grab bars are no stronger than the anchors or walls to which they are attached and, therefore, must be firmly secured in order to support the loads for which they are intended. Use WingIts Grab Bar Fastening System or adequate structural blocking.*

Installation Options:

Wall Construction	Suggested Fastening Technique - Per Flange	Model
Hollow Wall* - up to 1.6" substrate	Standard WingIt Grab Bar Fastening System	GBW40
Hollow Wall* - up to 2.6" substrate	Extended WingIt Grab Bar Fastening System	GBW50
Solid Masonry Wall*	Install using three (3) Stainless Steel Wedge Anchors – min. 1/4" x 2"	SSEA1-2
Hollow Wall* w/ adequate blocking**	Install using three (3) Stainless Steel Flat Head – min. 1/4" - 12 x 2.5"	SSFH1-25

* Commercially approved construction.

** Blocking should be water and fire resistant as well as structural to National/local codes.

SPECIFICATION:

Grab Bars shall be 1 1/4" (32mm) Diameter. Clearance between the grab bar and wall shall be 1-1/2" (38mm). Grab bar shall be 1/8" (3mm) thermo-set Nylons Sheath set onto Hydro-tube steel core with 0.10" (2.54mm) wall thickness. Mounting Flanges shall be 1/8" (3mm) Stainless Steel with 3" (76mm) diameter and secured to the grab bar with M12 (1/2") Stainless Steel Screws. Flange cover shall incorporate a spacer to be removed when using the WingIt Grab Bar Fastening System Flange covers shall be nylon to match the grab bar sheath, and shall snap over the mounting flange to conceal mounting screws and/or WingIt fasteners. Grab bar shall comply with barrier-free accessibility guidelines (including ADAAG in the U.S.A.) for structural strength. Manufacturer's service and parts manual shall be provided to the building owner/manager upon completion of project.