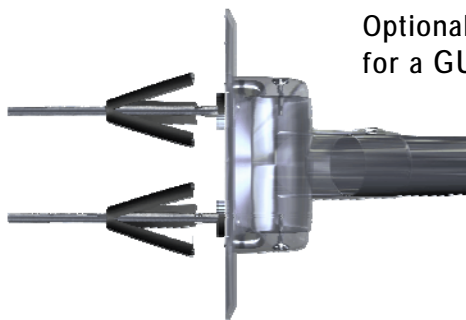


Application: 5' Standard or oval bath tub.

Spans 58.5" - 60+" w/o modification

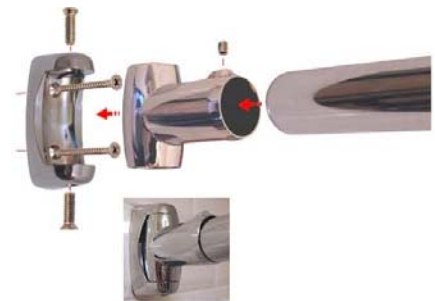
- Uses standard curtain.
- Matches Standard CRESCENT curved Shower Rods



Optional WINGIT FASTENING SYSTEM
for a GUARANTEED INSTALLATION



Optional: Matching Stainless Steel Cover Plates



Material:

Tube:
Stainless Steel
25.4 mm OD
.75mm wall thickness
600 grit finish (bright)

Brackets (set):

Die cast zinc, Chrome Plated
(2) wall mounts
(2) swivel connectors
(4) retaining screws

Mounting Hardware:

(4) stainless steel wood screws
(2) SS headless set screws w/loctite
(1) #10 allen wrench