

FOLDING SHOWER SEATS



FOLDING TUB BENCHES



WINGITS SHOWER SEATS

ADA Compliant Shower Seats with fold down legs

- ◆ FRAME—304 Stainless Steel (18/8) Frame with *WingIt* wall flanges.
- ◆ Shower Seats fold up on the wall in a “raised position”. When folded down, shower seats have four vertical support legs with cross support members.
- ◆ Mounts to wall via adequate wall blocking or the **WingIts** Fastening System*.
- ◆ Adjustable Height. ADA Mounting height for lowered seat is 17” to 19”.
- ◆ SEATS HOLD up to 1000 pounds, depending on application.
- ◆ All Seats/benches are available in: Watertight White Padded Naugahyde or Phenolic material (SOLID or SLATTED—in White or Teak).
- ◆ Standard “L” Shaped ADA Extension Shower Seats are 32” or 28” wide by 22.5” in depth.
- ◆ Rectangular seats range from 18” to 32” in Width.
- ◆ Custom sizes available for all seats/benches.

Made To Order!

These ADA compliant seats are available LEFT or RIGHT handed. Handing is determined by sitting on the seat with your back to the wall—the side of the seat that projects out is the hand of the seat.

Built In Stainless “Friction Hinge” on all models.

INSTALLED WITH WingIts

- ◆ Installed with **WingIts** Fastening System—NO Blocking Required.
- ◆ Quick and Easy—15 minute installation with **WingIts**—Completely **WATERPROOF!**

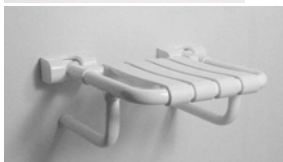
PURE ELEGANCE™ SHOWER SEATS and TUB BENCHES

BOTH BEAUTY AND STRENGTH

- ◆ Beautiful Nylon with treated steel core offers solutions that are functional, safe and healthy.
- ◆ Specified in Hospitality (premier hotel chains throughout North America) and excellent for all Commercial, Institutional and Residential applications.

Extended Shower Seat (shown to right) meets all ADA guidelines. Removable Shower Seat (shown to left).

More information available upon request



WINGITS TUB BENCHES

- ▶ WingIts tub benches exceed all structural criteria
- ▶ Benches fold up when not in use. When used with **WingIts**, seats can be removed
- ▶ **WingIt Fastening Systems** are Permanent and **WATERPROOF**
- ▶ **WingIts**—withstand the torque/vibratory forces created from long term commercial use
- ▶ **WingIts** and Tub Benches are manufactured from Austenitic (18/8) Stainless Steel
- ▶ All tub benches are available with or without Skis
- ▶ Stainless Steel frame holds over 300 pounds
- ▶ Friction Hinge for ease of movement

Seat is automatically held in a raised position by a stainless Hinge Bracket attached to the end of the Tub Seat. When the seat is lowered into its down position, the seat must rest securely on the tub dam for support.

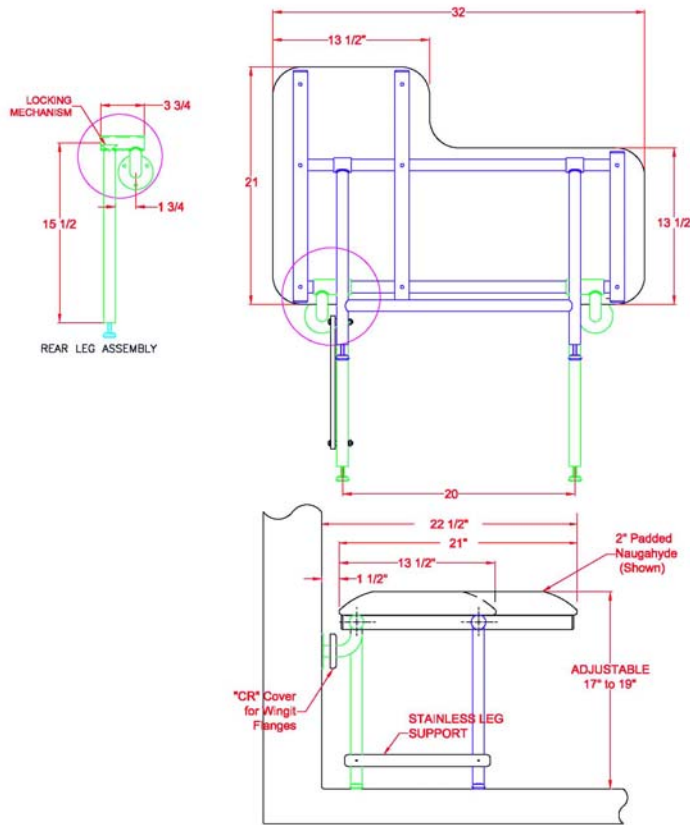


TUB BENCHES (Shown)

1. End Mount Teak Phenolic *without skis*
2. End Mount White Naugahyde *without skis*
3. End Mount White Phenolic **with skis**
4. Rear Mount White Naugahyde *without skis*
5. Rear Mount White Phenolic **with skis**
6. Rear Mount White Naugahyde **with skis**

When ordering Tub Benches, you must determine how high you wish your bench to be positioned. This will determine whether you need a seat with skis or without skis. Skis add 3" to the height of the tub bench. A white Naugahyde tub bench with 2" of white Naugahyde padding with skis will give you approximately 5" in height when installed into the tub.

White Naugahyde



Winglts L-Shaped Shower Seat

OPERATION:

Seat is automatically held in a raised position by a stainless cross member attached to the front and rear legs. When the seat is lowered into its down position, the Swing Down Leg automatically aligns the front and rear support legs with the help of the stainless cross member.

ARCHITECTURAL SPECIFICATIONS:

Model # WSL320225NWR Folding L-Shaped Shower Seat from Winglt Innovations, LLC, Bradley Beach, New Jersey 07720. Phone: (877)894-6448. Frame: Type 304 (18-8) S/S tub, 1 1/4" (32mm) X 18ga. (1.2mm) sq. main frame with 1" (25mm) X 18ga. (1.2mm) rd. cross members. Leg: "H" - shaped yoke of type 304 (18-8) S/S tubing, 1" (25mm) X 18ga. (1.2mm) rd. tubing, Heliarc welded to 1 1/4" (32mm) rd. X 12ga. (2.7mm) frame hinge. The Swing Down Legs automatically level when the seat is lowered to a horizontal sitting position. The seat automatically locks itself when swung into its "up" position with the use of the stainless cross member.

MATERIALS:

FRAME: Type 304 (18-8) S/S tubing, 1 1/4" (32mm) X 18ga. (1.2mm) sq. main frame with 1" (25mm) X 18ga. (1.2mm) rd. cross members.

WALL FLANGES (2): Type 304 (18-8) S/S, 10ga. (3.4mm) X 3" (76mm) dia. Heliarc welded to 1" (25mm) rd. X 18ga. (1.2mm) 90 degree leg supports and to 1 1/4" (32mm) rd. X 12ga. (2.7mm) frame hinge couplings. Three mounting holes in each flange.

SWING DOWN LEG: "H" - shaped yoke of type 304 (18-8) S/S tubing, 1" (25mm) X 18ga. (1.2mm) rd. tubing, Heliarc welded to 1 1/4" (32mm) rd. X 12ga. (2.7mm) frame hinge couplings.

WALL BRACKET COVERS (2): Type 304 (18-8) S/S, 10ga. (3.4mm) X 3" (76mm) Diameter X 3/8" (9.5mm) Deep, Special Covers to accept Winglt Device.

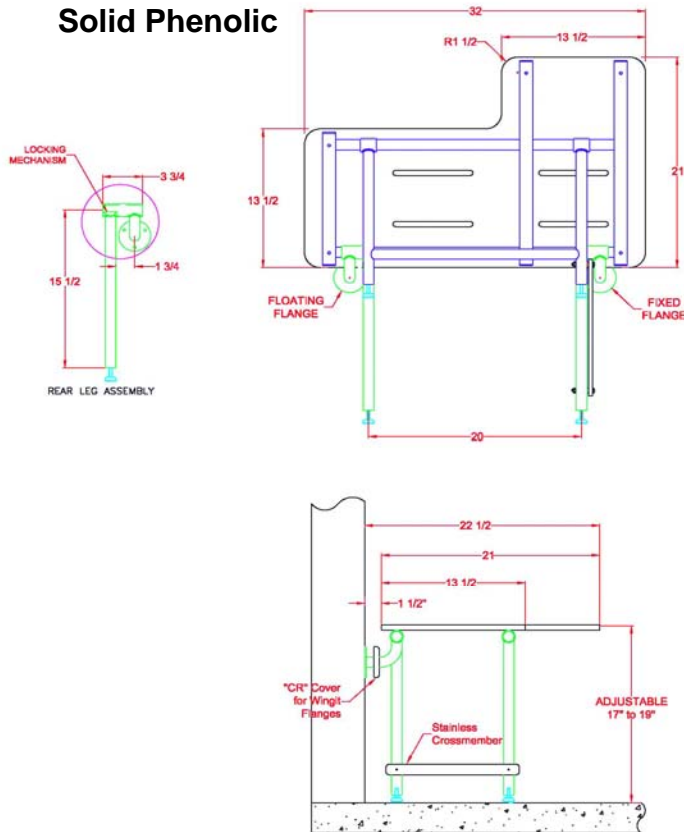
SEAT CHOICES: (Designate when ordering)

NW—**WATERPROOF** White Naugahyde covering 2" (51mm) foam mounted on 1/2" (13mm) marine plywood.

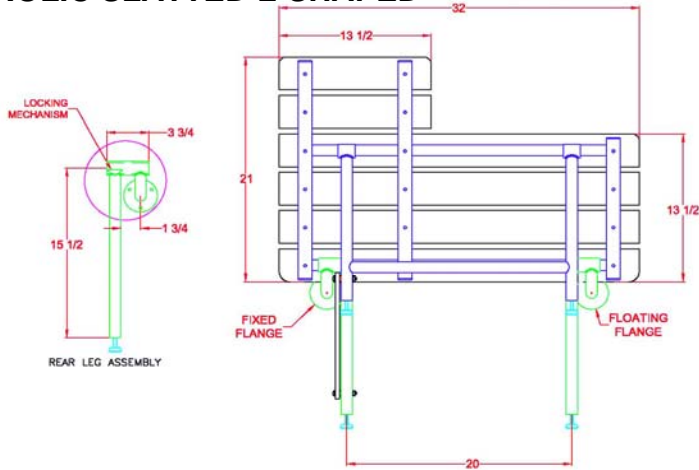
PW—White Phenolic 1/2" (13mm) X 3" (76mm) (slats or solid) mounted to frame with stainless steel screws.

PT—Teak Phenolic 1/2" (13mm) X 3" (76mm) (slats or solid) mounted to frame with stainless steel screws.

Solid Phenolic



PHENOLIC SLATTED L-SHAPED

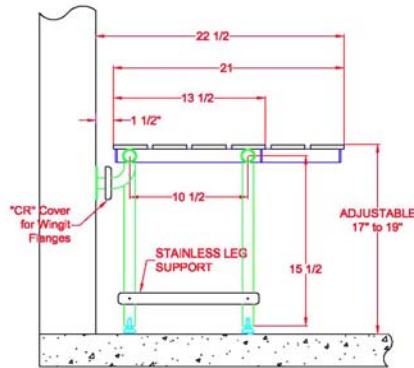


WSL320225PWL (WHITE PHENOLIC SLATS) or WSL320225PTL (TEAK PHENOLIC SLATS)

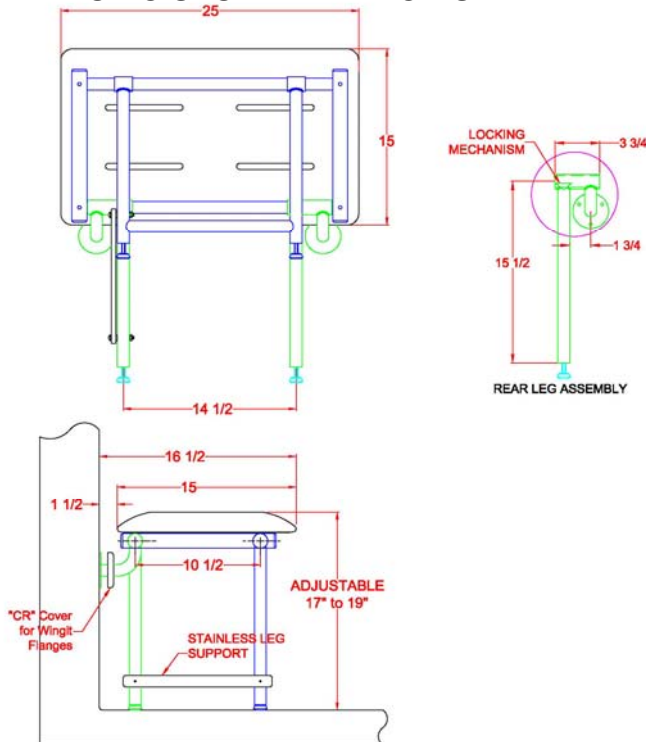
WingIts L-Shaped Shower Seats with Swing Down Legs are available in both SLOTTED and SLATTED. Available in different sizes, you can order either white or teak Phenolic. (Shown to Left)

Below:

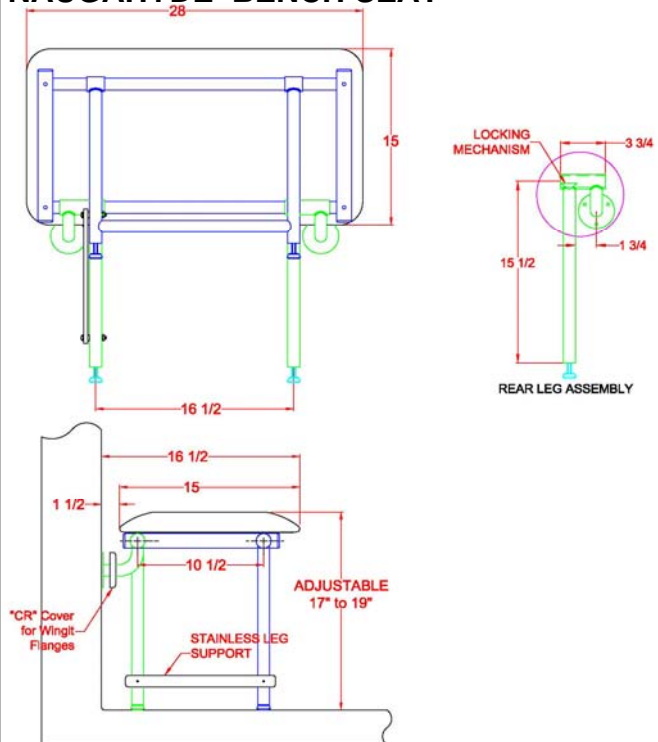
WingIts Shower Benches available in multiple sizes, Teak or White Phenolic and White Naugahyde padded. Like the L-Shaped Seat, the Shower Bench is reinforced with stainless steel cross members attached to the Swing Down Legs.



PHENOLIC SLOTTED BENCH SEAT



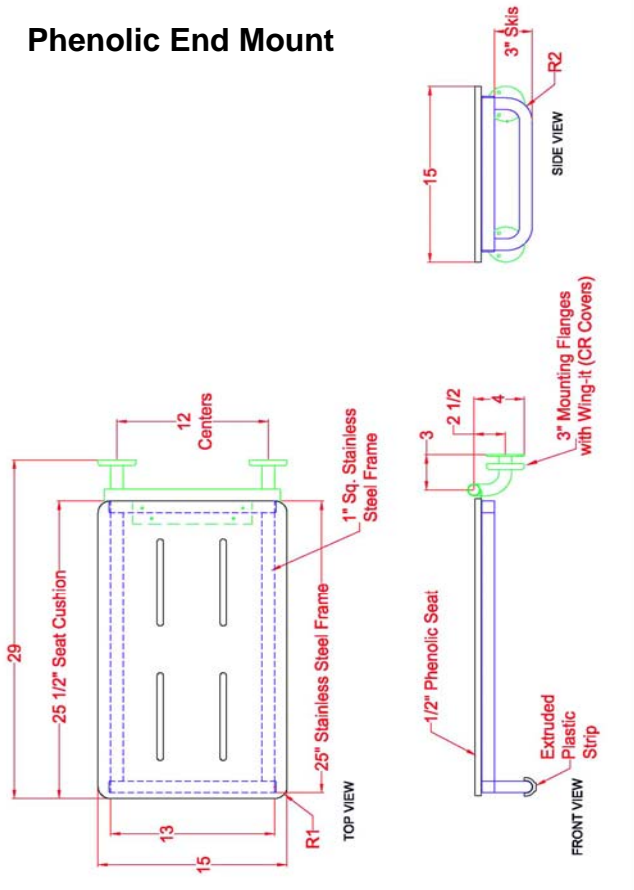
NAUGAHYDE BENCH SEAT



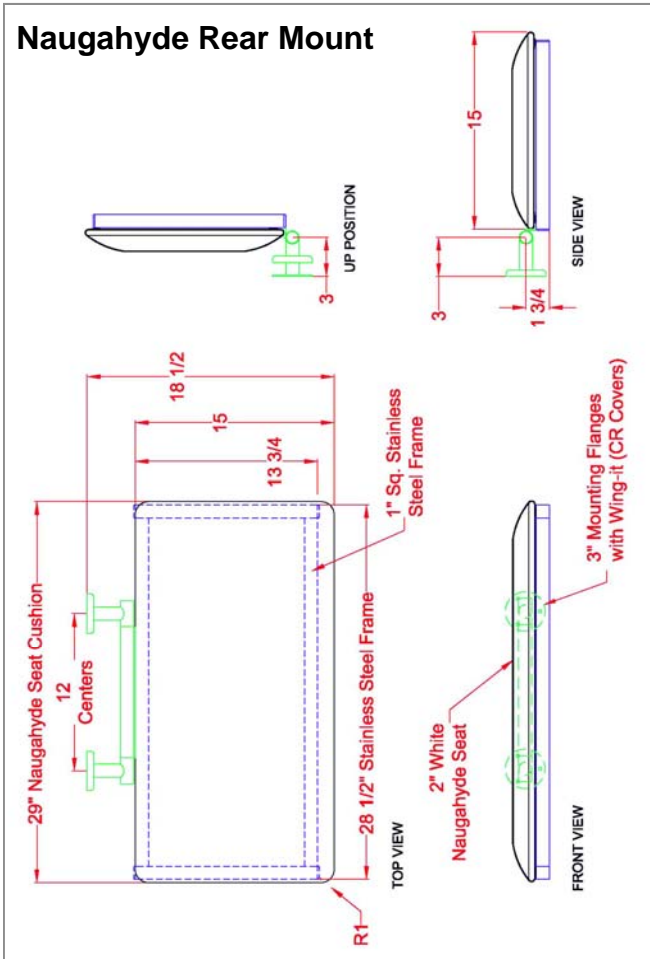
WSBX250165PT (TEAK PHENOLIC) OR WSBX250165PW (WHITE PHENOLIC)

WSB280165NW (WHITE NAUGAHYDE)

Phenolic End Mount



Naugahyde Rear Mount



Winglts Tub Benches

OPERATION:

Seat is held in the raised position by a stainless "Friction Hinge" incorporated into the structure of the Tub Seat. When the seat is lowered into its down position, the seat rests securely on the tub dam for support.

ARCHITECTURAL SPECIFICATIONS:

Model # WBTES290150PT/PW/NW Folding Tub Bench with or without Skis from WingIt Innovations, LLC, Bradley Beach, New Jersey 07720. Phone: (877)894-6448. Frame: Type 304 (18-8) S/S tube, 1" (25mm) X 18ga. (1.2mm) square. main frame with 1" (25mm) X 18ga. (1.2mm) round cross members.

MATERIALS:

FRAME: Type 304 (18-8) S/S tubing, 1" (25mm) X 18ga. (1.2mm) sq. main frame with 1" (25mm) X 18ga. (1.2mm) rd. cross members.

WALL FLANGES (2): Type 304 (18-8) S/S, 10ga. (3.4mm) X 3" (76mm) wide X 3" (76mm) long, Heliarc welded to 1" (25mm) rd. X 18ga. (1.2mm) Constant Friction Hinge. Three mounting holes in each bracket.

WALL BRACKET COVERS (2): Type 304 (18-8) S/S, 10ga. (3.4mm) X 3" (76mm) Diameter X 3/8" (9.5mm) Deep, Special Covers to accept WingIt Device.

SEAT CHOICES: (Designate when ordering)

NW—**WATERPROOF** White Naugahyde covering 2" (51mm) foam mounted on 1/2" (13mm) marine plywood.

PW—White Phenolic 1/2" (13mm) mounted to frame with stainless steel screws.

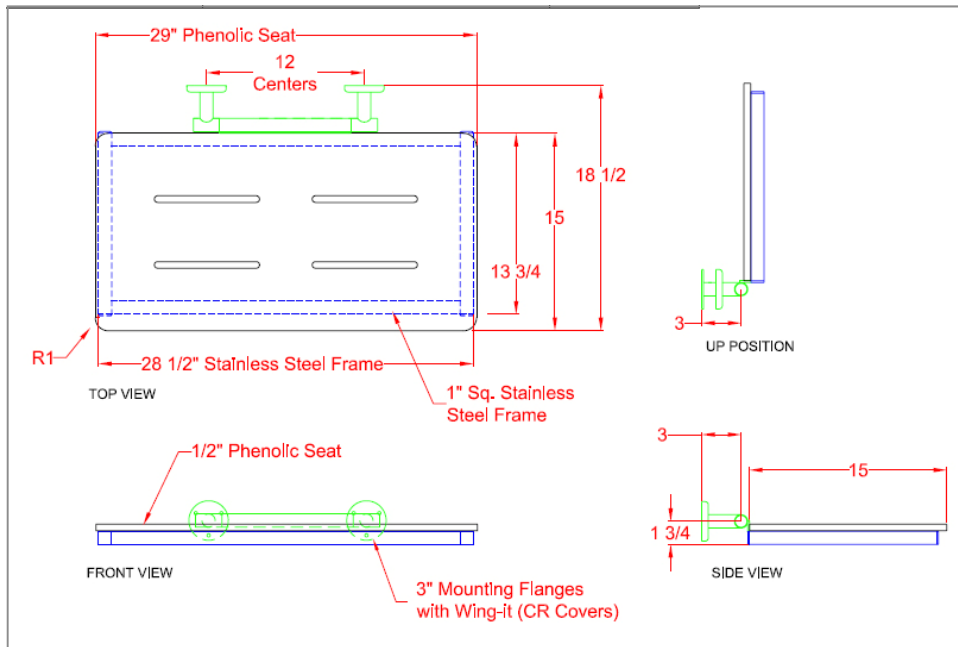
PT—Teak Phenolic 1/2" (13mm) mounted to frame with stainless steel screws.

WATERPROOF INSTALLATION—WINGITS:

Place seat in desired location. Determine center of the flanges and drill 1 1/4" hole for Winglts. Insert Winglts into Wall, 'pop' and secure tightly. Attach tub seat flanges to Winglts.

INSTALLATION—Structural Blocking:

Lay seat flat resting on both sides of tub. Set the hinge flat against the tub wall and mark holes. Make sure bottom of hinge rests on tub surface for support. Seats can be installed using heavy duty stainless steel screws and sufficient In-Wall backing materials. Caulking required.



REAR MOUNTED

WBTR290185PT (TEAK)
 PHENOLIC *WITHOUT SKIS*
 WBTR290185PW (WHITE)
 PHENOLIC *WITHOUT SKIS*

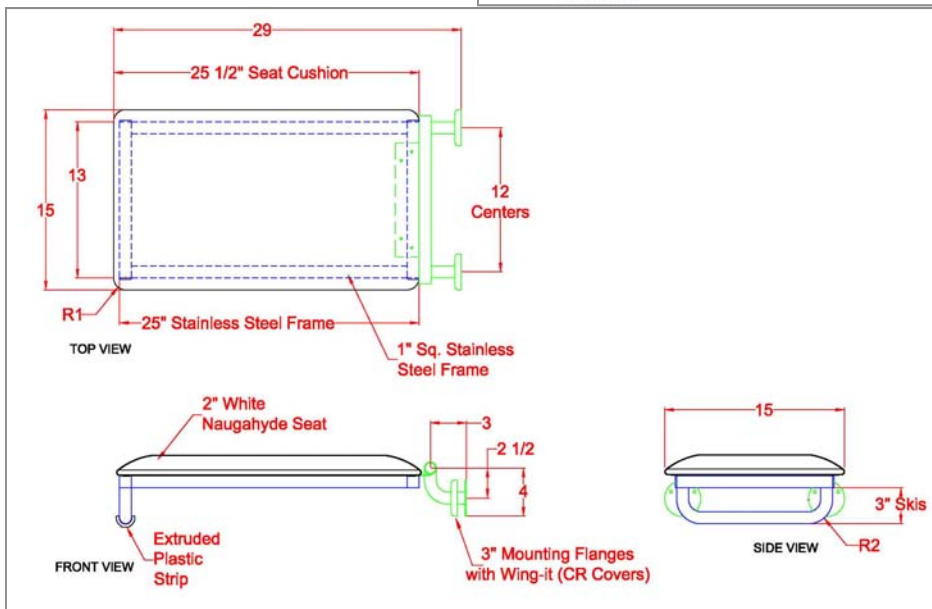
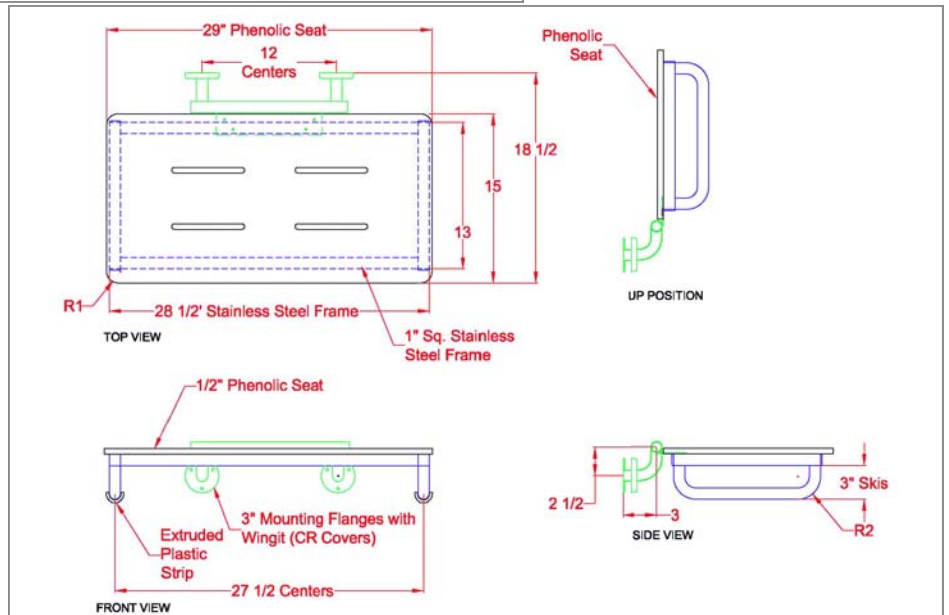
ALSO AVAILABLE:

WBTR0185NW(WHITE)
 NAUGAHYDE *WITHOUT SKIS*

END MOUNTED

WBTRS290185PT (TEAK)
 PHENOLIC **WITH SKIS**
 WBTRS290185PW (WHITE)
 PHENOLIC **WITH SKIS**

ALSO AVAILABLE:
 WBTRS290185NW(WHITE)
 NAUGAHYDE **WITH SKIS**



END MOUNTED

WBTES290150NW (WHITE)
 NAUGAHYDE **WITH SKIS**

ALSO AVAILABLE:

WBTES290150 (TEAK)
 PHENOLIC **WITH SKIS**
 WBTES290150NW (WHITE)
 PHENOLIC **WITH SKIS**



Left Hand SOLID Phenolic ADA Extension Seat



Right Hand SLATTED Phenolic ADA Extension Seat



Rectangular White Naugahyde Seat



EXTENDED SHOWER SEAT (ADA) L-SHAPED - WITH FOLD DOWN LEGS

WSL320225NWL	ADA White Naugahyde Left Hand 32" x 22.5"
WSL320225NWR	ADA White Naugahyde Right Hand 32" x 22.5"
WSL320225PWL	ADA White Phenolic (SLATS) Left Hand 32" x 22.5"
WSL320225PWR	ADA White Phenolic (SLATS) Right Hand 32" x 22.5"
WSL320225PTL	ADA Teak Phenolic (SLATS) Left Hand 32" x 22.5"
WSL320225PTR	ADA Teak Phenolic (SLATS) Right Hand 32" x 22.5"
WSLX320225PWL	ADA White Phenolic One Piece w/slots Left Hand 32" x 22.5"
WSLX320225PWR	ADA White Phenolic One Piece w/slots Right Hand 32" x 22.5"
WSLX320225PTL	ADA Teak Phenolic One Piece w/slots Left Hand 32" x 22.5"
WSLX320225PTR	ADA Teak Phenolic One Piece w/slots Right Hand 32" x 22.5"
Additional Sizes: 24" x 22.5", 26" x 22.5", 28" x 22.5", 32" x 22.5" and 36" x 22.5"	

SHOWER BENCH SEAT WITH FOLD DOWN LEGS

WSB240150NW	ADA White Naugahyde Bench Seat 24" X 15" w/legs
WSB240150PT	ADA Teak Phenolic (SLATS) Bench Seat 24" X 15" w/legs
WSB240150PW	ADA White Phenolic (SLATS) Bench Seat 24" X 15" w/legs
WSBX240150PT	ADA Teak Phenolic One Piece Bench Seat 24" X 15" w/legs
WSBX240150PW	ADA White Phenolic One Piece Bench Seat 24" X 15" w/legs
Additional Sizes: 18" x 16.5", 20" x 16.5", 22" x 16.5", 25" x 16.5", 28" x 16.5", 30" x 16.5", 32" x 16.5"	

**BATH TUB SEATS END MOUNT (Mount Long Wall-Hinges End of Tub Seat)
29" W x 15" D WITH SKIS**

WBTES290150NW	White Naugahyde End Mount Rect. Seat, 29" x 15"
WBTES290150PW	White Phenolic End Mount Rect. Seat, 29" x 15"
WBTES290150PT	Teak Phenolic End Mount Rect. Seat, 29" x 15"
* Additional Sizes: 34" W x 13.50" D and 38" W x 13.50" D	

BATH TUB SEAT ONE PIECE FLAT END MOUNT

WBTE290150NW	Tub Seat White Naugahyde, End Mount, 29" x 15"
WBTE290150PW	Tub Seat Phenolic White, End Mount, 29" x 15"
WBTE290150PT	Tub Seat Phenolic Teak, End Mount, 29" x 15"

**BATH TUB SEATS REAR MOUNT (Mount Wall Opposite Plumbing-Hinges Rear of Seat)
29" W x 18.5" D WITH SKIS**

WBTRS290185NW	White Naugahyde Rear Mount Rect. Seat, 29" x 18.5"
WBTRS290185PW	White Phenolic Rear Mount Rect. Seat, 29" x 18.5"
WBTRS290185PT	Teak Phenolic Rear Mount Rect. Seat, 29" x 18.5"

BATH TUB SEAT ONE PIECE FLAT REAR MOUNT

WBTR290150NW	Tub Seat White Naugahyde, Rear Mount, 29" x 15"
WBTR290150PW	Tub Seat Phenolic White, Rear Mount, 29" x 15"
WBTR290150PT	Tub Seat Phenolic Teak, Rear Mount, 29" x 15"

PURE ELEGANCE SHOWER SEATS AND TUB BENCHES

PUEXSSLHXX	ADA Extended Folding Shower Seat - Left Hand
PUEXSSRHXX	ADA Extended Folding Shower Seat—Right Hand
PURSSXX	Rectangular Shower Seat
PUTB30XX	Folding Tub Bench—30"
PUTB32XX	Folding Tub Bench—32"
PURSXX	Removable Shower Seat

**XX indicates Color Selection (WH=White, BO =Bone) Available on all PU Seats

WingIt Innovations, LLC 714 5TH AVENUE, PO BOX 97, BRADLEY BEACH, NEW JERSEY 07720

FAX: 732.869.9474 WEB: WWW.WINGITS.COM E-MAIL: SALES@WINGITS.COM

PHONE: 732.869.4466 TOLL FREE: **877.894.6448**