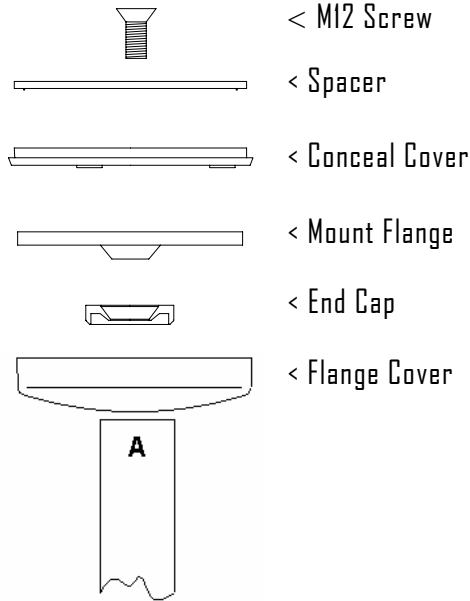


PURE ELEGANCE™ Grab Bars

PURE ELEGANCE™ Grab Bars exceed specifications and can be used to comply with American with Disabilities Act Accessibility Guidelines (ADAAG) and *Safety Rails in Hazardous Locations* criteria.



< M12 Screw

< Spacer

< Conceal Cover

< Mount Flange

< End Cap

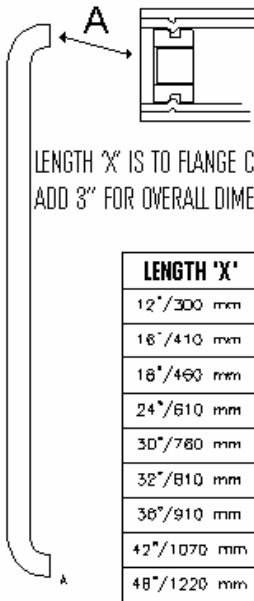
< Flange Cover

PURE ELEGANCE™ Grab Bars are manufactured from formed steel *Hydro-Tubing* (1/8" thick wall) completely concealed by a slip resistant 1/8" thick *Seamless Nylon Sheath*.

An *M12 Nut* has been press-welded into the end of the *Hydro-Tubing* as seen in Part 'A' on the drawing (below left). The nylon *End Cap* seals in the tube when it is fitted and compressed by installation of the stainless steel *Mount Flange* and the stainless steel *M12 Screw*.

The nylon *Conceal Cover* is fitted onto the *Mount Flange* and is a receptor for the nylon *Flange Cover*. Upon final installation the *Flange Cover* interlocks with the *Conceal Cover* and rest on the nylon *End Cap* to create a tight seal.

The nylon *Spacer* is left in place when installing the Grab Bar into structural blocking. Dispose of the *Spacer* when using the patented *WingIt Grab Bar Fastening System*.



LENGTH 'X' IS TO FLANGE CENTERS.
ADD 3" FOR OVERALL DIMENSIONS.

LENGTH 'X'
12"/300 mm
16"/410 mm
18"/460 mm
24"/610 mm
30"/760 mm
32"/810 mm
36"/910 mm
42"/1070 mm
48"/1220 mm

- SEAMLESS NYLON for unequaled beauty and purity – no joints to collect dirt and bacteria.
- Soft NYLON exterior gives a sense of *warmth* and a non-slip surface!
- Hydro-Tube interior allows for unmatched strength.
- Heavy Duty 18/8 Stainless Steel M12 Screw and Stainless Steel Mount Flange allow for use in wet areas – all exposed metals are stainless.
- Italian Designed products are sleek and understated, ... PURE ELEGANCE!
- Matching Combination Bars, Shower Seats, Tub Benches, Stools, Fold Down Bars, STRUCTURAL Towel Bars and all Bath Accessories available.
- Designed to be used with the *WingIt Grab Bar Fastening System* – or adequate blocking.
- Eliminates the commercial look from Grab Bars, Safety Products and Bathroom Accessories.
- **Diameter 1.25"**
- **Standard Lengths 12", 16", 18", 24", 30", 32", 36", 42" & 48"**

SPECIFICATION:

Grab Bars shall be 1 ¼" (32mm) Diameter. Clearance between the grab bar and wall shall be 1-1/2" (38mm). Grab bar shall be 1/8" (3mm) thermo-set Nylons Sheath set onto Hydro-tube steel core with 0.10" (2.54mm) wall thickness. Mounting Flanges shall be 1/8" (3mm) Stainless Steel with 3" (76mm) diameter and secured to the grab bar with M12 (½") Stainless Steel Screws. Flange cover shall incorporate a spacer to be removed when using the WingIt Grab Bar Fastening System. Flange covers shall be nylon to match the grab bar sheath, and shall snap over the mounting flange to conceal mounting screws and/or the patented WingIt Fastening System. Grab bar shall comply with barrier-free accessibility guidelines (including ADAAG in the U.S.A.) for structural strength. Manufacturer's service and parts manual shall be provided to the building owner/manager.

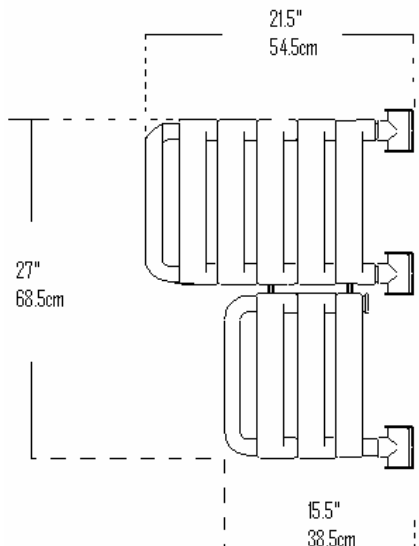
WingIt PURE ELEGANCE® Seats and Combination Grab Bars

Description

PRODUCT CODE

XX – change to WH for White or BO for Bone

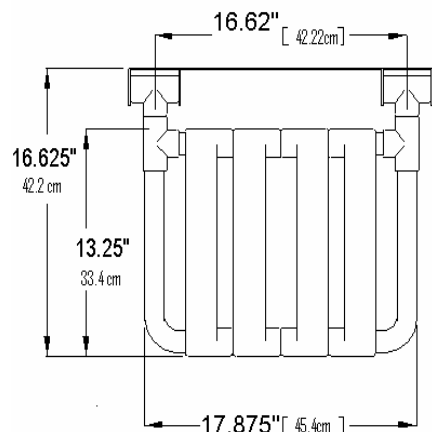
ADA Extended Folding Shower Seat



Left Hand: LH PUEXSSLHXX
 Right Hand: RH PUEXSSRHXX

Soft NON-SLIP Nylon Frame with Nylon Staves. Padded Seat Covers available.

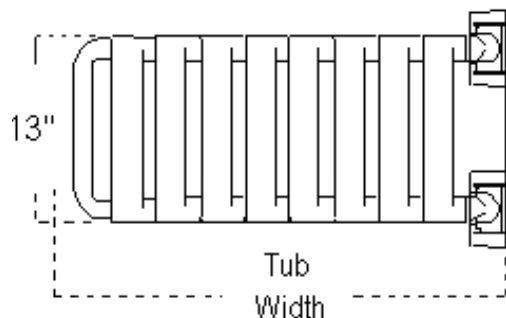
Rectangular Shower Seat



PURSSXX

Soft NON-SLIP Nylon Frame with Nylon Staves. Padded Seat Covers available.

Folding Tub Bench

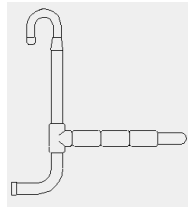


Length 30" PUTB30XX
 Length 32" PUTB32XX
 Length 36" PUTB36XX (special order)

Soft NON-SLIP Nylon Frame with Nylon Staves. Padded Seat Covers available.

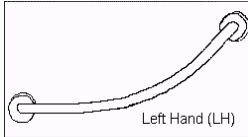
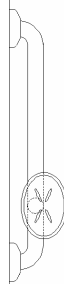
WingIt PURE ELEGANCE® Seats and Combination Grab Bars

Removable Seat – requires grab bar.



PRODUCT CODE
PURSXX

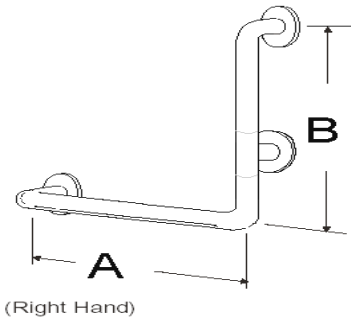
Soft NON-SLIP Nylon Frame with Nylon Staves.
Padded Seat Covers available.



Curved Bar w/Soap Dish
Far Left "Downward View"
Curved Bar No Soap Dish
Left Hand "LH" Shown

PUCBSDLHXX
PUCBSDRHXX
PUCBRHXX
PUCBLHXX

Horizontal / Vertical "L" Grab Bars



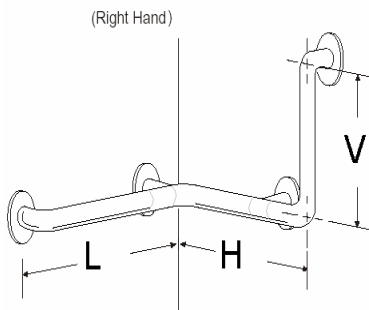
A	B
16"	24"
16"	28"
16"	36"
16"	42"
16"	48"
24"	24"
24"	28"
24"	36"
24"	42"
24"	48"

PUHV1624xx-zz
PUHV1628xx-zz
PUHV1636xx-zz
PUHV1642xx-zz
PUHV1648xx-zz
PUHV2424xx-zz
PUHV2428xx-zz
PUHV2436xx-zz
PUHV2442xx-zz
PUHV2448xx-zz

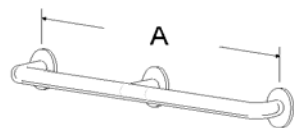
Three Dimensional Grab Bar: See Diagram Below

Leg	Horizontal	Vertical
28"	32"	36"
36"	32"	36"
42"	32"	36"
48"	32"	36"

PU3D28xx-zz
PU3D36xx-zz
PU3D42xx-zz
PU3D48xx-zz



Straight Bar with Mid Support : A



49"
61"
69"
73"

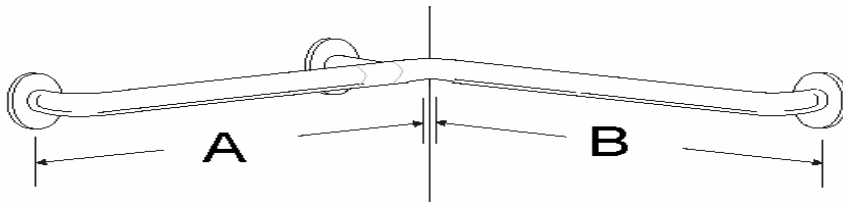
PUMS49xx
PUMS61xx
PUMS69xx
PUMS73xx

XX – change to WH for WHite or BO for BOne

WingIt PURE ELEGANCE® Seats and Combination Grab Bars

Two Wall Grab Bars

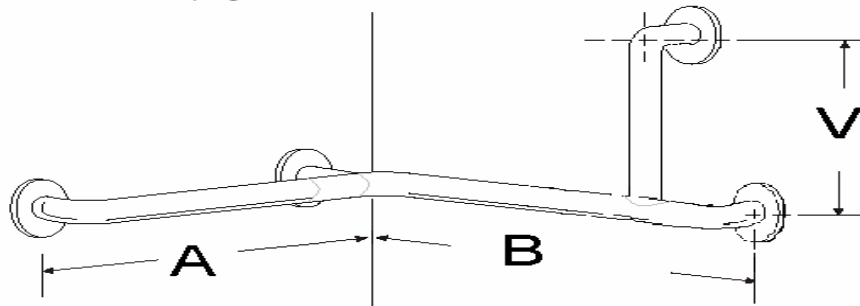
A	B	PRODUCT CODE
16"	24"	PUTW1624xx
16"	36"	PUTW1636xx
16"	42"	PUTW1642xx
24"	24"	PUTW2424xx
24"	28"	PUTW2428xx
24"	36"	PUTW2436xx
24"	42"	PUTW2442xx
24"	48"	PUTW2448xx
30"	36"	PUTW3036xx
30"	42"	PUTW3042xx
30"	48"	PUTW3048xx
30"	54"	PUTW3054xx
36"	28"	PUTW3628xx
36"	36"	PUTW3636xx
36"	42"	PUTW3642xx
36"	48"	PUTW3648xx
36"	54"	PUTW3654xx



Two Wall Grab Bar with Vertical Support – Same as above with Vertical Support Rail

V	PRODUCT CODE
24"	PV24xx
36"	PV36xx
42"	PV42xx
48"	PV48xx

(Right Hand)



NOTES:

Standard assembly of Vertical Support Rail will be in 6" from grab bar end unless otherwise identified.

ADD OUR HAND SHOWER HEAD HOLDER TO ANY PURE ELEGANCE® GRAB BAR – use code PUHSHxx with the xx indicating color. WH = White and BO = Bone/Almond and BI = Biscuit

WingIt PURE ELEGANCE® Seats and Combination Grab Bars

MATERIALS:

Grab Bar – 1.25" (32mm) overall tube diameter. 1" (25mm) Hydro tubing steel core with 0.10" (2.54mm) wall thickness, sealed within an engineered non-slip thermo-set Nylon sheath, 1/8" thick (3.2mm). Clearance between the grab bar and wall is 1-1/2" (38mm).

Concealed Mounting Flanges – 18-8 S, type-304, 1/8" (3mm) thick, stainless steel plate; end flanges 3" x 3" (76mm) diameter with four holes for attachment to wall. Intermediate flanges 3" x 3" (76mm) diameter. Secured to the Grab using M12 (1/2") Stainless Steel Flat Head Screws. Includes matching nylon Snap-on Flange Covers – each cover snaps over mounting flange to conceal mounting screws. Snap-on flange covers incorporate a spacer that is removed when installing with WingIts, allowing the grab bar to maintain its position off the wall (1.5"/38mm) and aesthetic regardless of installation method.

Finishes – Standard Finishes include White, Biscuit (derived from Kohler® Biscuit) and Bone (derived from American Standard® Bone/Almond). 1/8" thick (3.2mm) Nylon Sheath has a smooth, seamless surface and tight fitting snap-on flange covers to eliminate locations for dirt and bacteria to accumulate. The thermo-set nylon sheath has been developed to have non-slip properties

STRENGTH:

PURE ELEGANCE® grab bars that provide 1-1/2" (38mm) clearance from wall can support loads in excess of 440 pounds (200kg) if properly installed. Other grab bar configurations can support loads in excess of 250 pounds (113kg) if properly installed, complying with barrier-free accessibility guidelines (including ADAAG in the U.S.A.) for structural strength

Warning: *Grab bars are no stronger than the anchors or walls to which they are attached and, therefore, must be firmly secured in order to support the loads for which they are intended. Use WingIts Grab Bar Fastening System or adequate structural blocking.*

Installation Options:

Wall Construction	Suggested Fastening Technique - Per Flange	Model
Hollow Wall* - up to 1.6" substrate	Standard WingIt Grab Bar Fastening System	GBW40
Hollow Wall* - up to 2.6" substrate	Extended WingIt Grab Bar Fastening System	GBW50
Solid Masonry Wall*	Install using three (3) Stainless Steel Wedge Anchors – min. 1/4" x 2"	SSEA1-2
Hollow Wall* w/ adequate blocking**	Install using three (3) Stainless Steel Flat Head – min. 1/4" - 12 x 2.5"	SSFH1-25

* Commercially approved construction.

** Blocking should be water and fire resistant as well as structural to National/local codes.

SPECIFICATION:

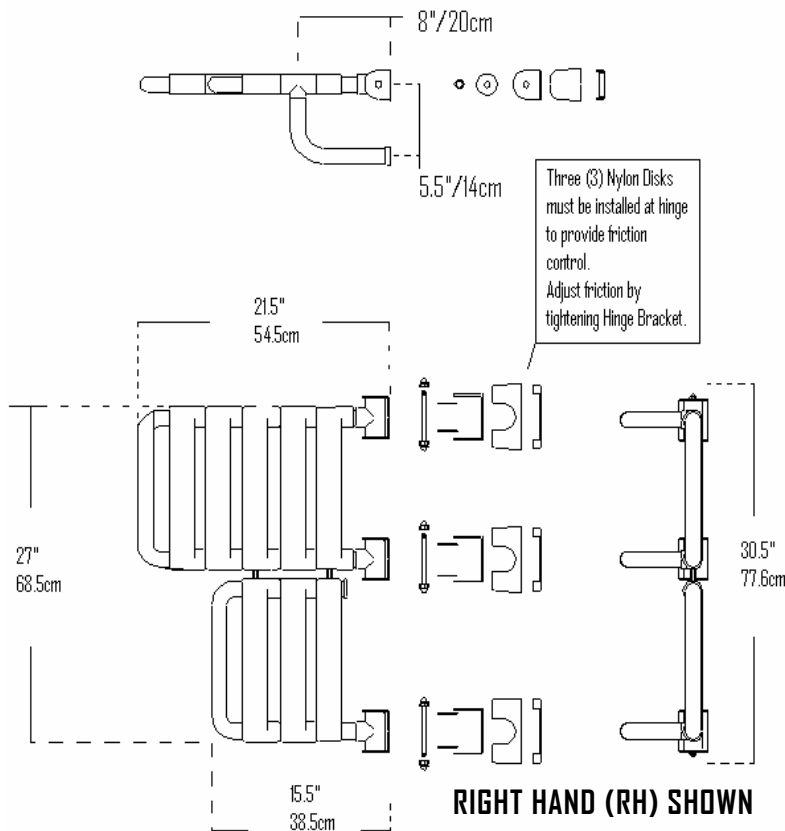
Grab Bars shall be 1 1/4" (32mm) Diameter. Clearance between the grab bar and wall shall be 1-1/2" (38mm). Grab bar shall be 1/8" (3mm) thermo-set Nylons Sheath set onto Hydro-tube steel core with 0.10" (2.54mm) wall thickness. Mounting Flanges shall be 1/8" (3mm) Stainless Steel with 3" (76mm) diameter and secured to the grab bar with M12 (1/2") Stainless Steel Screws. Flange cover shall incorporate a spacer to be removed when using the WingIt Grab Bar Fastening System Flange covers shall be nylon to match the grab bar sheath, and shall snap over the mounting flange to conceal mounting screws and/or WingIt fasteners. Grab bar shall comply with barrier-free accessibility guidelines (including ADAAG in the U.S.A.) for structural strength. Manufacturer's service and parts manual shall be provided to the building owner/manager upon completion of project.

EXTENDED SHOWER SEAT – PUEXSSLHxx/ PUEXSSRHxx

PUEXSSLHxx/ PUEXSSRHxx – **PURE ELEGANCE™** standard **EX** extended hinged **S**hower **S**eat **LH/RH** (left or right handed). Orientation is determined on installed seat with patron sitting on the seat with their back to the wall. The side with the extended portion of the seat is the orientation - **R**IGHT **H**and (RH) shown below. Indicate **WH** for White and **BO** for Bone / Almond.

Nylon Staves incorporated onto the **PURE ELEGANCE** Grab Bar material (frame). **ADA Compliant** when installed to **ADAAG** specifications.

Seat **Folds** to a vertical position. Movement resistance is determined by degree the hinged is tightened. It is recommended that the seat hinge be tightened at a minimum to support the weight of the Seat. **STRUCTURAL BLOCKING REQUIRED.**



- Hydro-Tube Steel core - superior strength.
- Heavy Nylon Sheath Exterior.
- Seat is hinged to allow folding.
- Friction Hinge allows for adjustable tension.
- Matching Grab Bars and Bath Accessories available.
- Stainless Steel mount-plate and hinge.
- Directional slats allow for easy transfer onto seat and added resistance for outward slip-off.

Standard ADA finished height seat requirement is 18" from finished floor. Grab Bars should be mounted 33"-36" from finished floor.

PADDED STAVE COVERS with Antibacterial properties available.

STRUCTURAL BLOCKING REQUIRED.

Available in:

White (WH) and Bone / Almond (BO) Color.

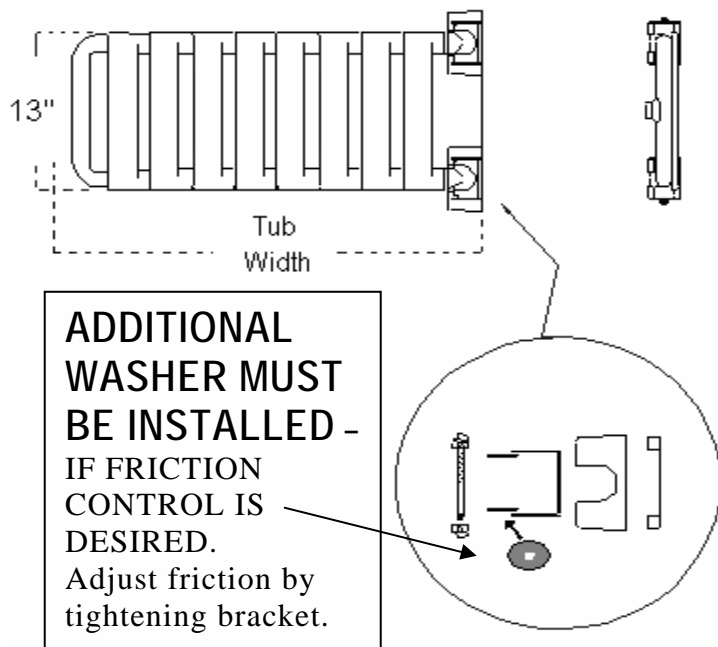
SPECIFICATION:

Frame shall be made from **PURE ELEGANCE®** Grab Bar material and shall be 1 1/4" (32mm) Diameter. Hinge Plate (1/8", 3.2mm) and Pin (1/2", 12mm) shall be made from 18/8 Stainless Steel and incorporate nylon disks for Friction Control. Staves (cross members) shall be made of Nylon and color match the Frame.

Frame construction shall be 1/8" (3mm) thermo-set Nylons Sheath set onto 1" (25mm) Hydro-tube steel core with 0.10" (2.54mm) wall thickness. Hinge cover shall be nylon to match the grab bar sheath, and shall snap over the mounting flange to conceal mounting screw. Shower Seat shall comply with barrier-free accessibility guidelines (including **ADAAG** in the U.S.A.) for structural strength. Manufacturer's service and parts manual shall be provided to the building owner/manager upon completion of project.

TUB BENCH SEAT – PUTB32xx / PUTB30xx

Pure Elegance Standard Tub Bench Seats - installed on the long wall and extends across the width of the tub.
PUTB32xx for 32" tub width or **PUTB30xx** for 30" tub width
(**PUTB36"** custom) **xx** indicates color choice – WH = White or BO = Bone/Almond



INSTALLATION:

- Assemble entire product. Place in desired location and mark out bracket holes on the wall. Rest the assembled bench on a 2"x4" on its edge (along the back of the wall) for approximate height
 - Disassemble.
 - Place brackets at desired location and mount into blocking.
 - Reassemble unit.
- USE ADEQUATE BLOCKING!**

FRICTION CONTROL-

FORCED INTO PLACE, a THIRD Nylon Washers to control the downward movement of the seat.

Brackets may be modified to use the WingIt Fastening Technology, inquire at time of order.

Nylon Staves incorporated onto the PURE ELEGANCE Grab Bar material (frame).

PADDED STAVE COVERS with Antibacterial properties available.

Seat folds to a vertical position. Movement resistance is determined by degree the hinged is tightened. It is recommended that the seat hinge be tightened at a minimum to support the weight of the Seat.

STRUCTURAL BLOCKING REQUIRED.

SPECIFICATION:

Frame shall be made from PURE ELEGANCE® Grab Bar material and shall be 1 ¼" (32mm) Diameter. Hinge Plate (1/8", 3.2mm) and Pin (1/2", 12mm) shall be made from 18/8 Stainless Steel and incorporate nylon disks for Friction Control. Staves (cross members) shall be made of Nylon and color match the Frame.

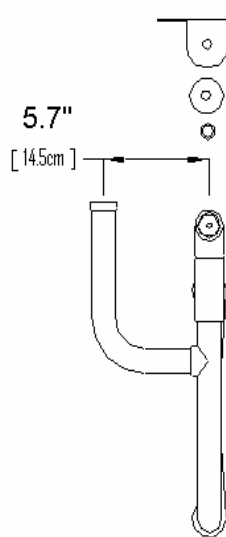
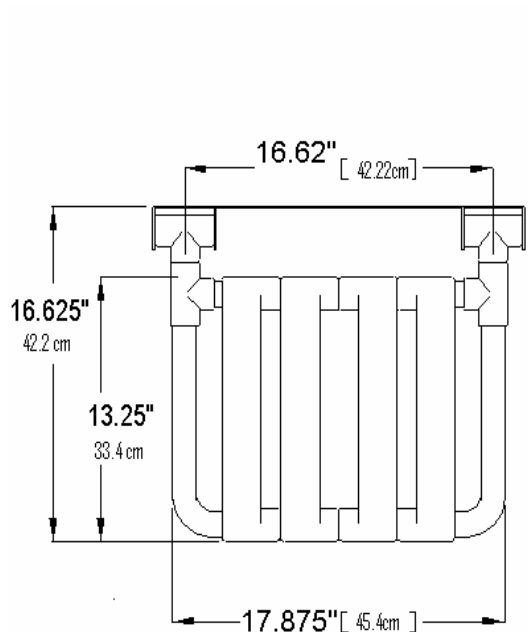
Frame construction shall be 1/8" (3mm) thermo-set Nylons Sheath set onto 1" (25mm) Hydro-tube steel core with 0.10" (2.54mm) wall thickness. Hinge cover shall be nylon to match the grab bar sheath and shall snap over the mounting flange to conceal mounting screw. Tub Seat shall comply with barrier-free accessibility guidelines (including ADAAG in the U.S.A.) for structural strength. Manufacturer's service and parts manual shall be provided to the building owner/manager upon completion of project.

RECTANGULAR (ADA) SHOWER SEAT - PURSSxx

PURSSxx – **PURE ELEGANCE™** Rectangular Shower Seat.
Indicate WH for White and BO for Bone / Almond.

Nylon Staves incorporated onto the PURE ELEGANCE Grab Bar material (frame).
ADA Compliant when installed to ADAAG specifications.

Seat Folds to a vertical position. Movement resistance is determined by degree the hinged is tightened. It is recommended that the seat hinge be tightened at a minimum to support the weight of the Seat. **STRUCTURAL BLOCKING REQUIRED.**



- Hydro-Tube Steel core - superior strength.
- Heavy Nylon Sheath Exterior.
- Seat is hinged to allow folding.
- Friction Hinge allows for adjustable tension.
- Matching Grab Bars and Bath Accessories available.
- Stainless Steel mount plate and hinge.

Required ADA finished height seat height is 18" from finished floor. Grab Bars should be mounted 33"-36" from finished floor.

PADDED STAVE COVERS with Antibacterial properties available.

STRUCTURAL BLOCKING REQUIRED.

Available in:

White (WH) and Bone / Almond (BO) Colour.

SPECIFICATION:

Frame shall be made from PURE ELEGANCE® Grab Bar material and shall be 1/4" (32mm) Diameter. Hinge Plate (1/8", 3.2mm) and Pin (1/2", 12mm) shall be made from 18/8 Stainless Steel and incorporate nylon disks for Friction Control. Staves (cross members) shall be made of Nylon and color match the Frame.

Frame construction shall be 1/8" (3mm) thermo-set Nylons Sheath set onto 1" (25mm) Hydro-tube steel core with 0.10" (2.54mm) wall thickness. Hinge cover shall be nylon to match the grab bar sheath and shall snap over the mounting flange to conceal mounting screw. Shower Seat shall comply with barrier-free accessibility guidelines (including ADAAG in the U.S.A.) for structural strength. Manufacturer's service and parts manual shall be provided to the building owner/manager upon completion of project.