

WINGITS® FORZA™ – Floating Shelf

Model:
WCFS

Part Numbers:
WCFSWH171314
White HPM Finish



WCFSC171314
Cherry HPM Finish



WCFSW171314
Walnut HPM Finish

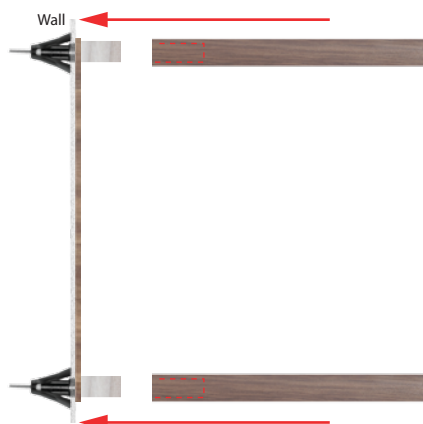


WCFSESP171314
Espresso HPM Finish



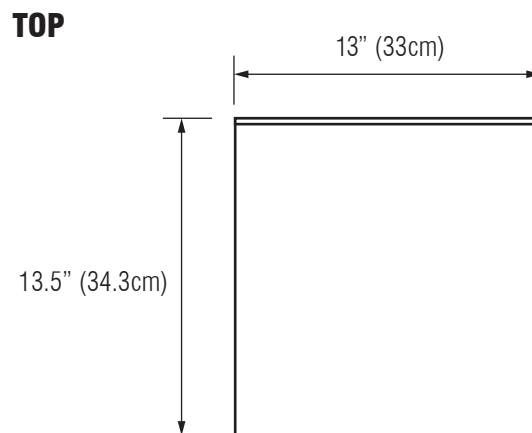
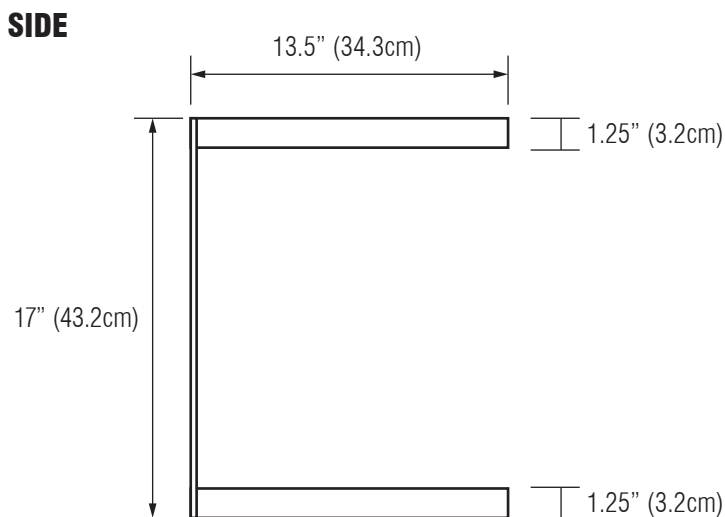
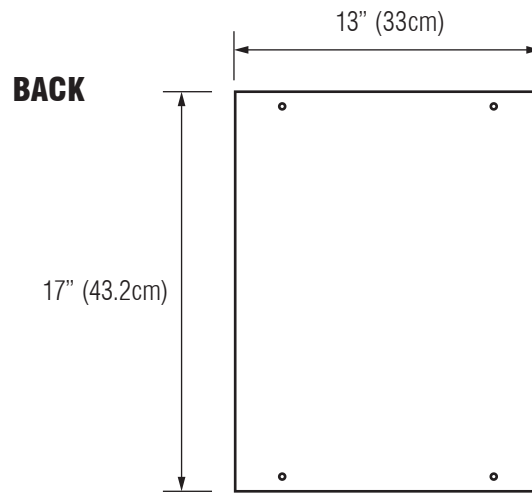
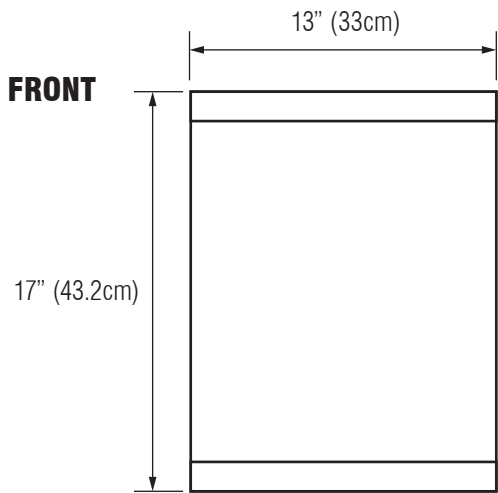
FORZA™ – Floating Shelves are a perfect blend of contemporary design and structural durability.

- Sturdy, hardwood High Pressure Melamine (HPM) structure
- 12,000 PSI of pressure cured at 400 degrees. Heat and scratch resistant surface is easy to maintain.
- Durable, heavy-duty construction that is weight rated to hold up to 50 lbs
- No structural blocking required - Hidden fastening system that allows the shelf to sit flush against the wall (**WingIts** MASTER Anchors™ - included)



MECHANICAL DATA
Height: 17" (43.2cm)
Length: 13" (33cm)
Projection: 13.5" (34.3cm)
PRODUCT COMPOSITION
Hardwood Core Structure. Available in Seamless White, Cherry, Walnut and Espresso HPM finishes.
MODALITY
Use: Use in horizontal position.
INSTALLATION
WingIts ® Floating Shelves are designed to be installed into adequate structural blocking or with optional WingIts ® Fasteners (included).
RECOMMENDED INTEGRATION
It is recommended that WingIts ® Master Anchors for Floating Shelf™ (MAW35)x4 is used with this product.

WINGITS®



**CONNECTING
BLOCKS FRONT**



**CONNECTING
BLOCKS BACK**



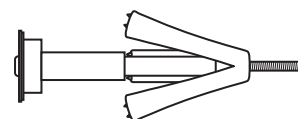
**CONNECTING
BLOCKS SIDE**



**CONNECTING
BLOCKS TOP**



INCLUDED HARDWARE



Wingits® MASTER Anchor™ for FORZA™ Floating Shelf
(MAW35) x 4