

WINGITS®

CRESCENT™

Mounting Pivot Bracket

Model:
CRMB

Part Numbers:

CRMB-CHM
Polished Finish

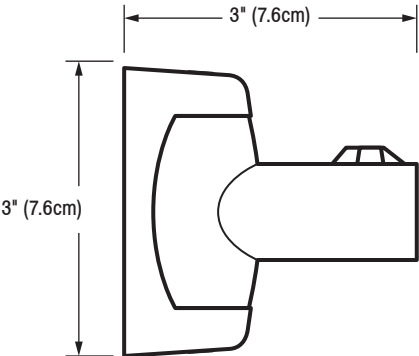
CRMB-SNM
Satin Finish



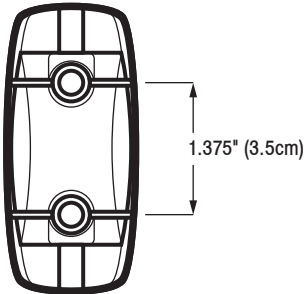
- Provides 25% More Tub Space
- Bright Hand Polished Finish
- Minimal, Elegant Design

MECHANICAL DATA
Height: 3" (76mm) Tube Diameter: 1" (25mm)
COMPOSITION
Die Cast Zinc, Chrome Plated
INSTALLATION
Includes Stainless Steel Screws to Install into Adequate Structural Blocking . Can Be Installed with WINGITS® Fasteners when blocking is not available.
RECOMMENDED INTEGRATION
Install into Adequate Structural Blocking or with WINGITS® Fasteners.

BRACKET SIDE



BRACKET BACK



BRACKET TOP



Included Hardware



Optional Hardware

