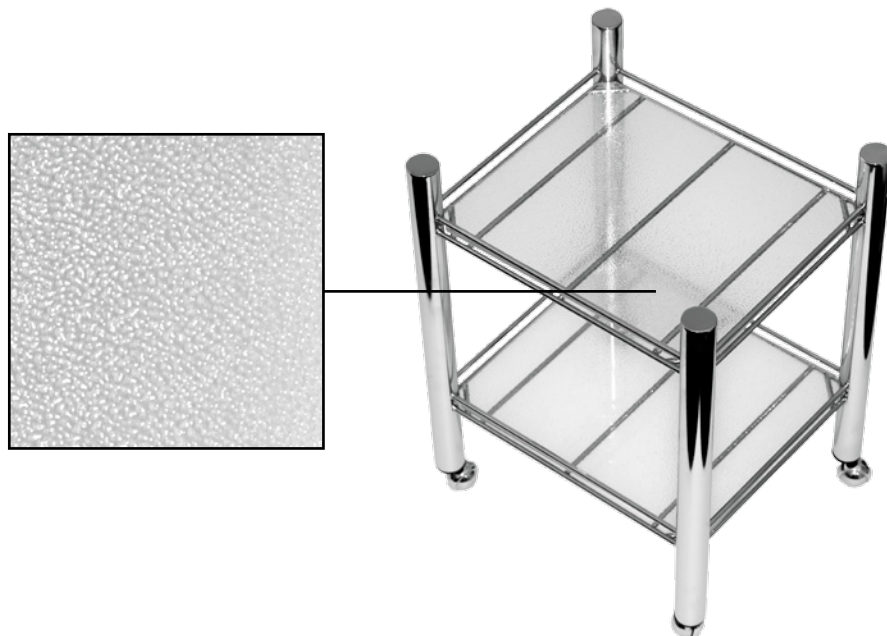


# WINGITS® Portable Amenities Cart

## Under Vanity Rolling Towel/Amenities Cart

**Model:**  
**WPAC**

**Part Number:**  
WPAC18PSFG



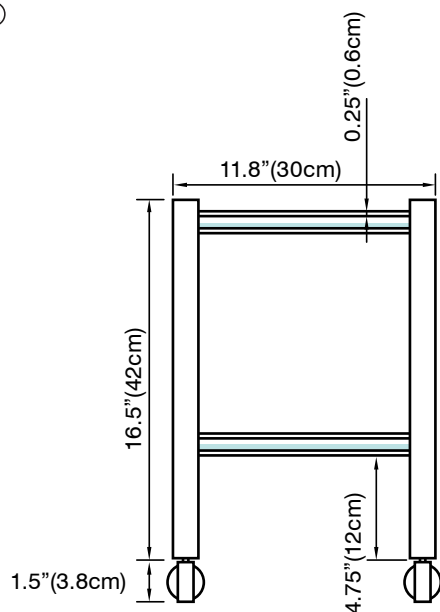
Contemporary design combines with a fully HeliArc welded construction, resulting in a Portable Amenities Cart with:

- Fully Chromed Structural Steel
- Beauty-Functionality-Durability
- No caps, plugs or lines to collect dirt - maintenance free
- HeliArc Welded for Unparalleled Strength

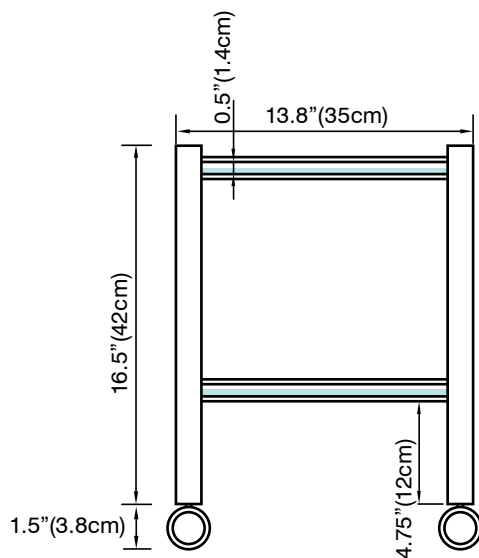
<b>MECHANICAL DATA</b>
<p><b>Height:</b> 18" (45.7cm)  <b>Length:</b> 11.8" (29.9cm)  <b>Projection:</b> 13.8" (35cm)</p>
<b>PRODUCT COMPOSITION</b>
<p><b>Frame:</b> 1.25" (3.17cm) diameter steel tubes with HeliArc welded caps. 0.25" (0.6cm) diameter steel tubes HeliArc welded to frame members. Entire assembled cart is chrome plated.  <b>Shelves:</b> Frosted 0.25" (0.6cm) acrylic.</p>
<b>MODALITY</b>
<p><b>Use:</b> Portable Amenities/Towel Cart designed to roll under vanity.  <b>Maximum Load:</b> 50 lbs. (22kg)</p>

# WINGITS®

**FRONT**



**SIDE**



**TOP**

