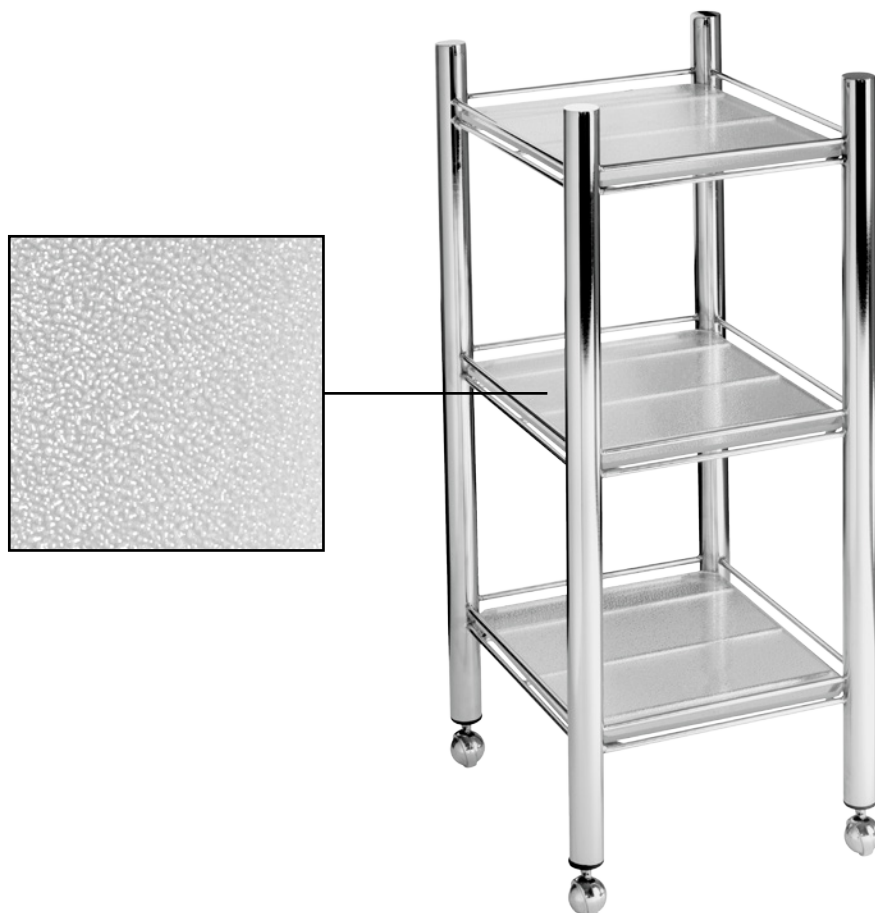


WINGITS® Portable Amenities Cart

Under Vanity Rolling Towel/Amenities Cart

Model:
WPAC

Part Number:
WPAC28PSFG



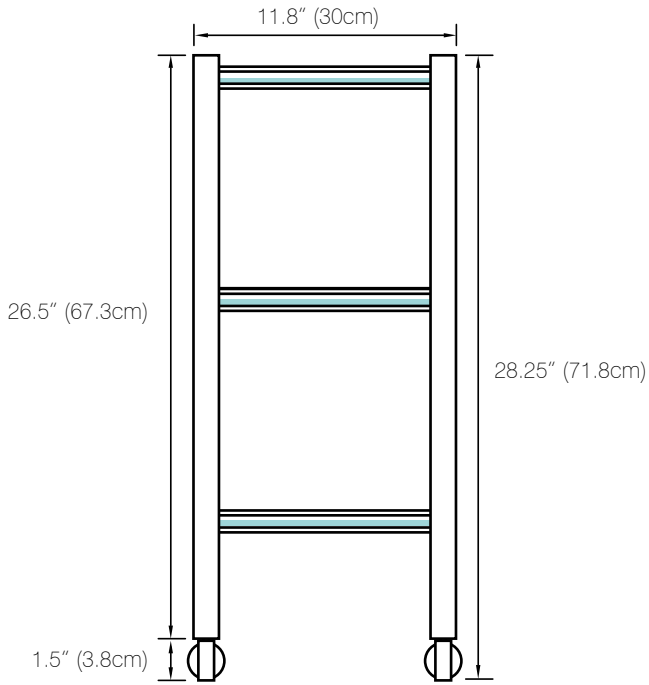
Contemporary design combines with a fully HeliArc welded construction, resulting in a Portable Amenities Cart with:

- Fully Chromed Structural Steel
- Beauty-Functionality-Durability
- No caps, plugs or lines to collect dirt - maintenance free
- HeliArc Welded for Unparalleled Strength

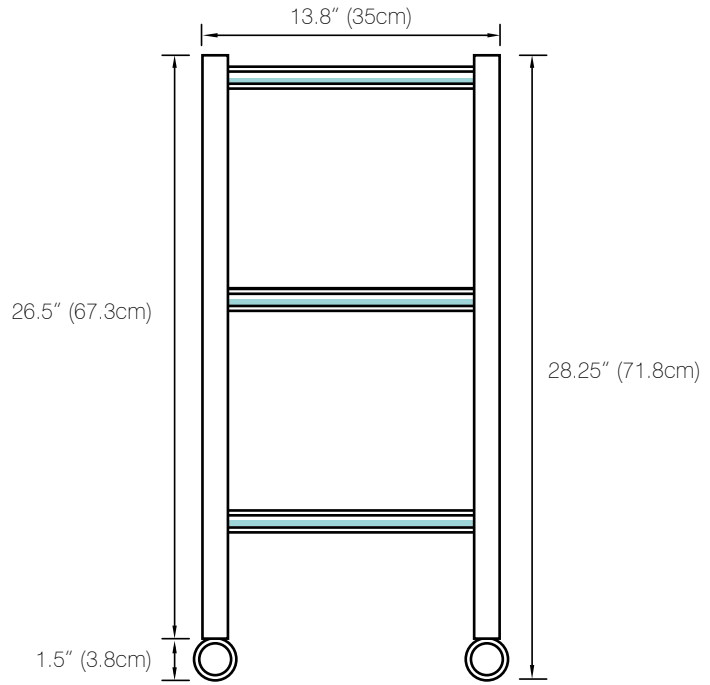
MECHANICAL DATA
<p>Height: 28.25" (71.8cm) Length: 11.8" (29.9cm) Projection: 13.8" (35cm)</p>
PRODUCT COMPOSITION
<p>Frame: 1.25" (3.17cm) diameter steel tubes with HeliArc welded caps. 0.25" (0.6cm) diameter steel tubes HeliArc welded to frame members. Entire assembled cart is chrome plated. Shelves: Frosted 0.25" (0.6cm) acrylic.</p>
MODALITY
<p>Use: Portable Amenities/Towel Cart designed to roll under vanity. Maximum Load: 50 lbs. (22kg)</p>

WINGITS®

FRONT



SIDE



TOP

