

WINGITS®

MASTER™

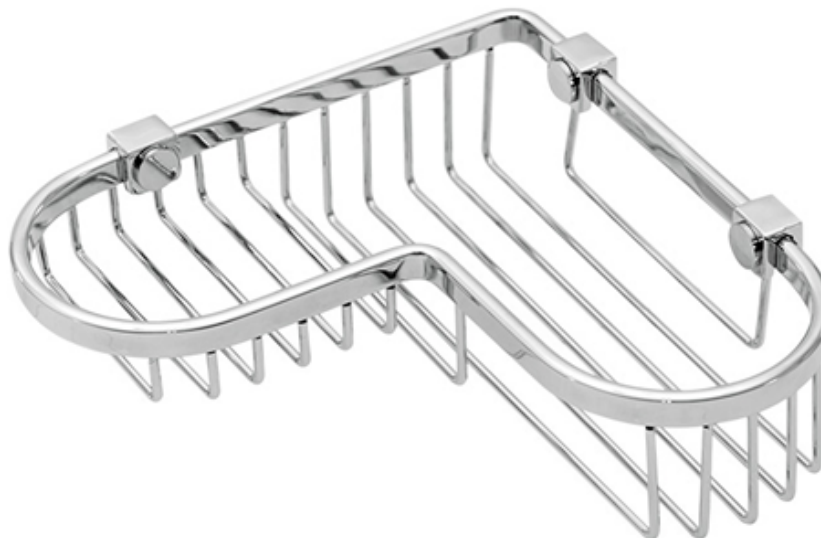
8" Wire Corner Basket

Model:
WCB2

Part Numbers:

WCB2PS8
Polished Finish

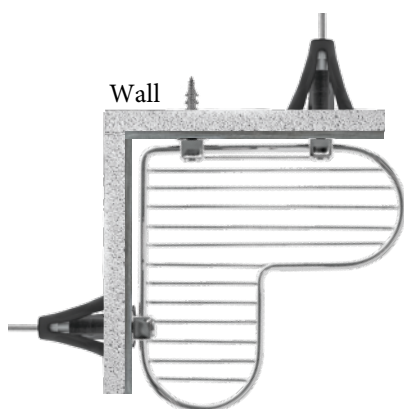
WCB2SN8
Satin Finish



Includes World's
Strongest Fastener®

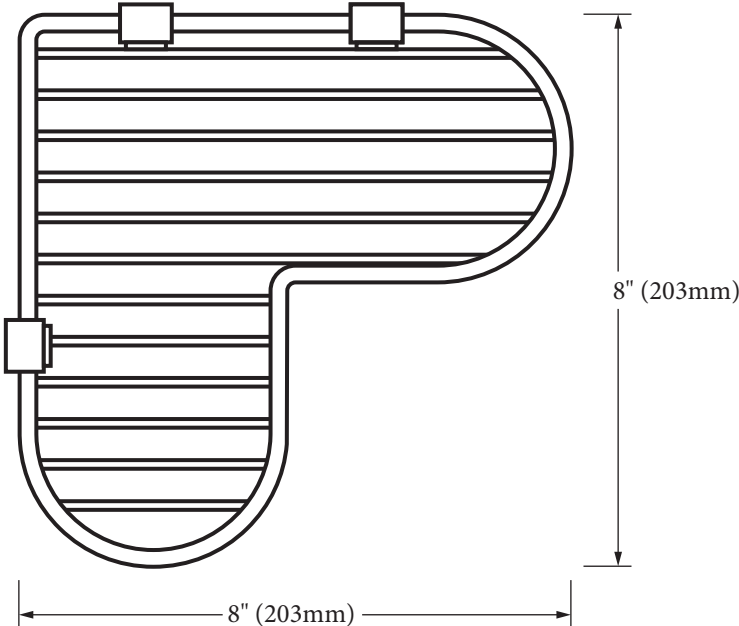


- Hand Polished Stainless Steel
- Beauty, Functionality & Durability
- Unparalleled Strength when Installed with WINGITS® Fasteners - Included

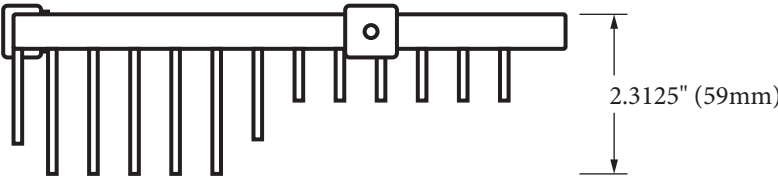


MECHANICAL DATA
Length: 8" (203mm)
Height: 2.3125" (59mm)
Depth: 8" (203mm)
COMPOSITION
18-8 (304) Stainless Steel
INSTALLATION
Includes WINGITS® Fasteners for hollow-wall construction. Includes 3M® VHB Waterproof Tape.
RECOMMENDED INTEGRATION
Install with WINGITS® Fasteners (included) for Structural Waterproof Installation into hollow walls.

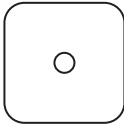
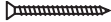

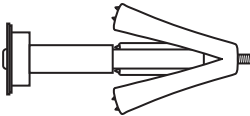
Top



Side



Included Hardware

-  1.5" Wall Guard (3)
-  S/S Screw for Blocking (3)
-  Plastic Shield (3)
-  WINGITS® MASTER Anchor (MAW35) (2)