

WINGITS®

ELITE Gallery™

Floating "C" Shelf with Extended Fascia

Model:

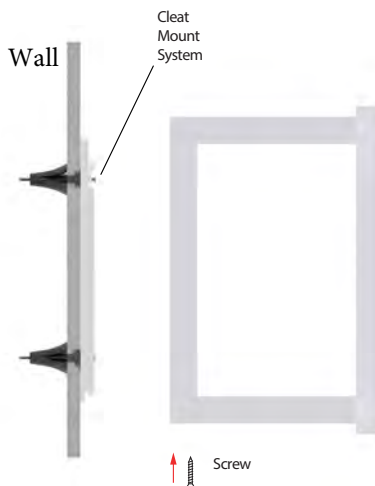
WEGCFSEF

Part Numbers:

WEGCFSEFWH

White Finish

Includes World's
Strongest Fasteners®



Features:

- Rated at 100lbs - **50lbs per shelf**
- Installs in Minutes Anywhere in the wall with WINGITS® Fasteners (included)
- Three Coats of Catalyzed Conversion Varnish - Hand Sanded Between Finishes, Multi-Poly Hardener is Inert on Setting
- Eco-friendly, Super-refined MDF Board - **CARB II Compliant**
- Engineered for Maximum Durability with Proprietary Hardwood Dowel System
- MADE in USA



MECHANICAL DATA

Length: 12.875" (327mm)

Height: 15" (381mm)

Depth: 9.125" (232mm)

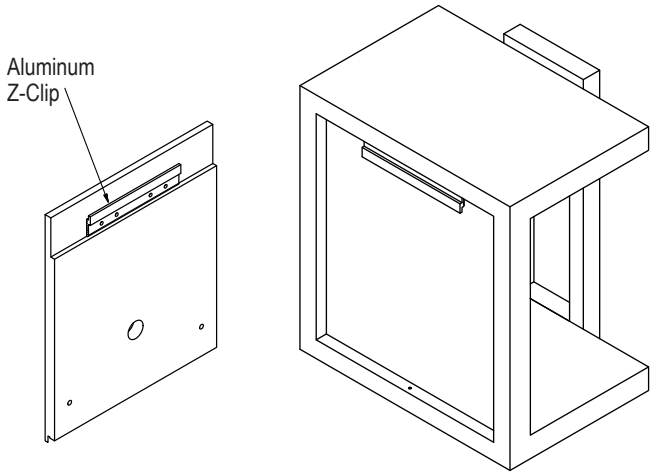
COMPOSITION

Uni-body hardwood core/shelving design with interlocking aluminum cleat system

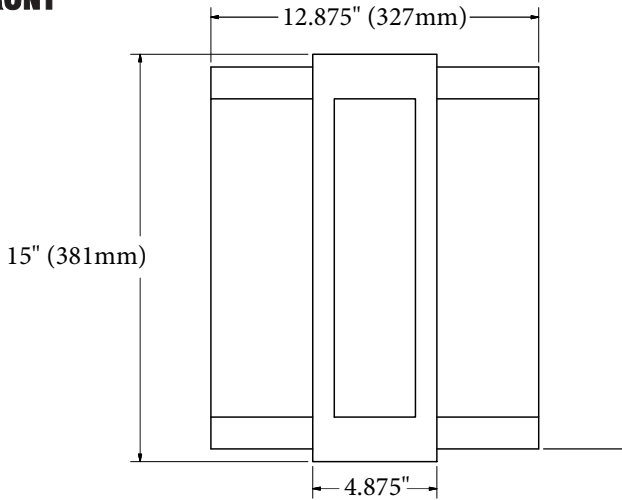
INSTALLATION

WINGITS® Floating Amenity "C" Shelves are designed to be installed with WINGITS® MASTER Anchor™ Fasteners (MAW35) into 5/8" drywall.
4 MASTER Anchor™ Fasteners (MAW35) included.

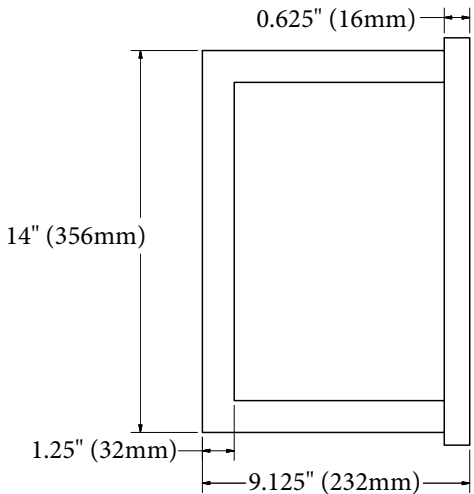
© Copyright 2021 WingIt Innovations, LLC. This document contains information proprietary to WingIt Innovations, LLC that is protected by patent, copyright, and/or other proprietary rights. The information contained herein is not to be duplicated or transferred in any manner without prior written permission from WingIt Innovations, LLC.



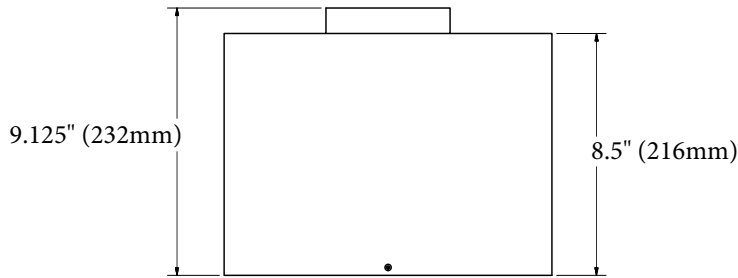
FRONT



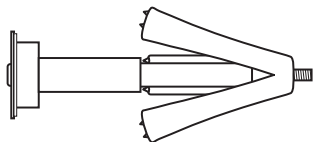
SIDE



BOTTOM



Included Hardware



WINGITS' MASTER Anchor (MAW35) (4)



S/S Screw (1)