

WINGITS®

FORZA™ - Floating “C” Shelf

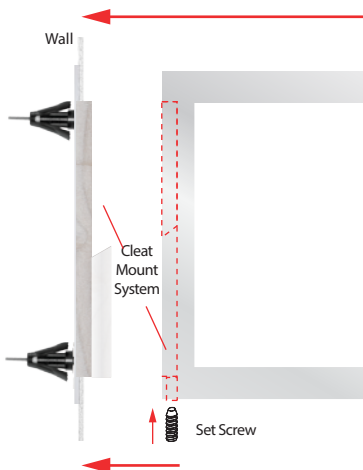
Model:
WCFS

Part Numbers:
WCFSWH159513
White HPM Finish



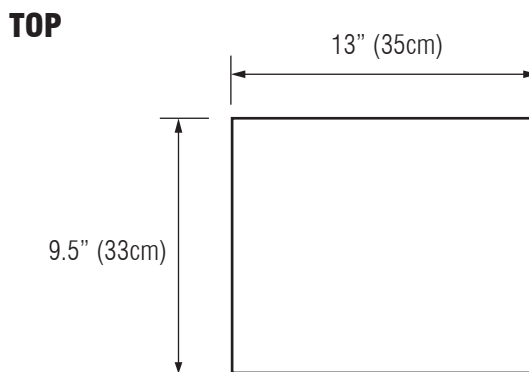
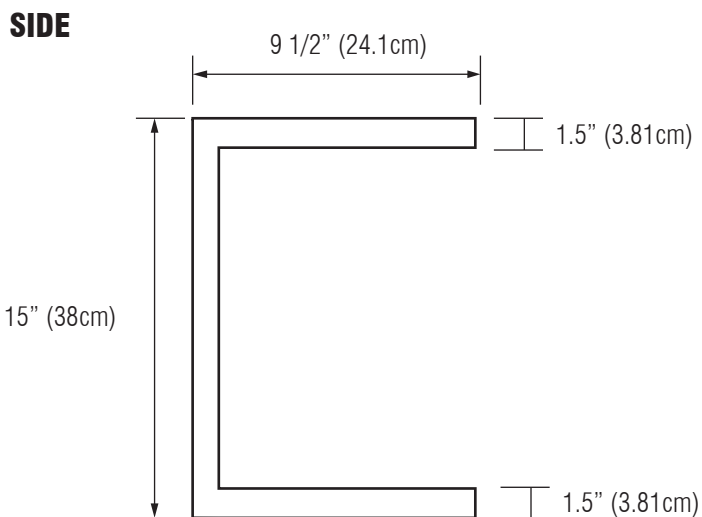
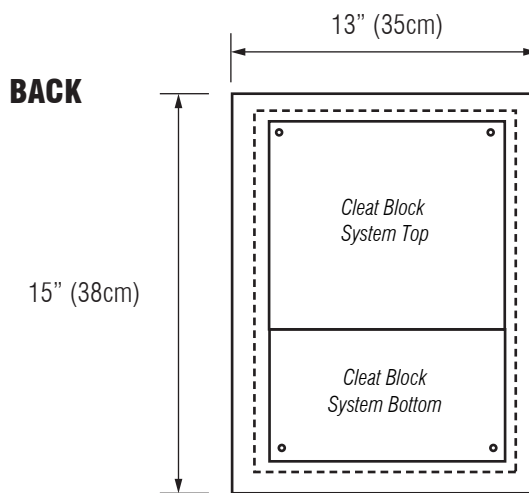
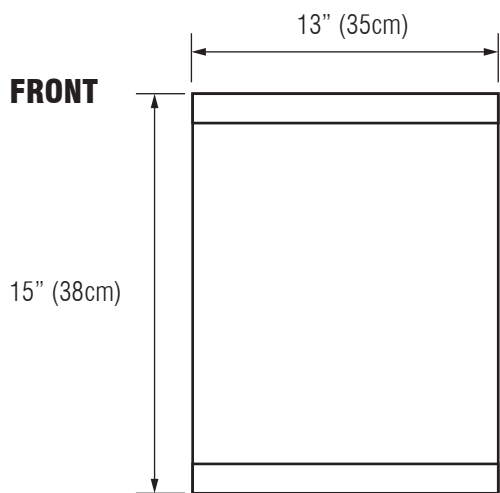
FORZA™ - Floating “C” Shelf “Gen 2” is a perfect blend of contemporary design & structural durability. WINGITS® Design Prevents Liability!

- Sturdy, hardwood High Pressure Melamine (HPM) Structure
12,00 PSI of pressure cured at 400 degrees. Heat and scratch resistant surface is easy to maintain.
- Durable, heavy-duty construction that is weight rated to hold up to 50lbs
- No structural blocking required - Hidden Cleat Fastening System and Unibody shelving design allows the shelf to sit flush against the wall (WINGITS MASTER Anchors™ included)



MECHANICAL DATA
Height: 15" (38cm) Length: 13" (35cm) Projection: 9.5" (24.1cm)
PRODUCT COMPOSITION
Uni-Body hardwood core/shelving design with interlocking cleat system.
MODALITY
Use: Product mounts as singular unit into wall with cleat system allowing for a horizontal shelf usage.
INSTALLATION
The WINGITS FORZA™ - Floating “C” Shelf GEN 2 incorporates a large backplate that is mounted to the wall with (4) MAW35 WINGITS® Fasteners. The exposed surface has a large cleat that interlocks with the shelf. A single small set screw (bottom) secures so it cannot be removed.
RECOMMENDED INTEGRATION
It is Required that this unit be installed using (MAW35) x4 MASTER Anchors™ for Appropriate Installation The Product must be installed correctly using WingIts® Fasteners in order to prevent liability.

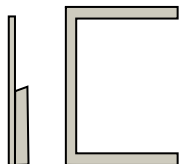
WINGITS®



CONNECTING BLOCK + CLEAT



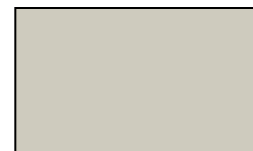
UNIBODY SHELF UNIT



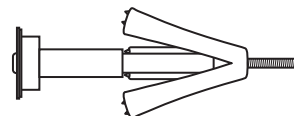
CONNECTING BLOCK + CLEAT SIDE



UNIBODY SHELF TOP



INCLUDED HARDWARE



MASTER Anchor for FORZA Floating "C" Shelf (MAW35) x 4