

WINGITS®

CANTED Elegance™

Stainless Steel Double Robe Hook

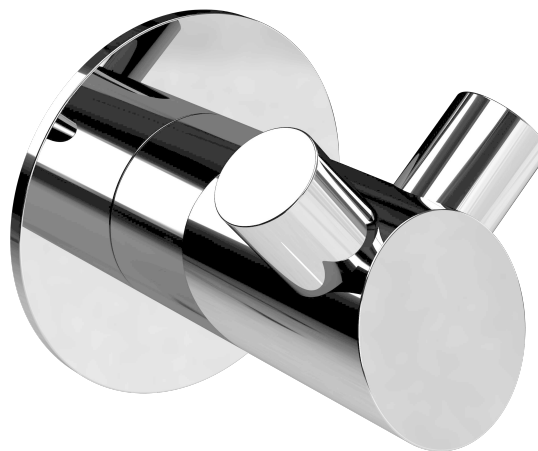
Model:

WCNDEDRH

Part Numbers:

WCNDEDRHPS
Polished Finish

WCNDEDRHSN
Satin Finish



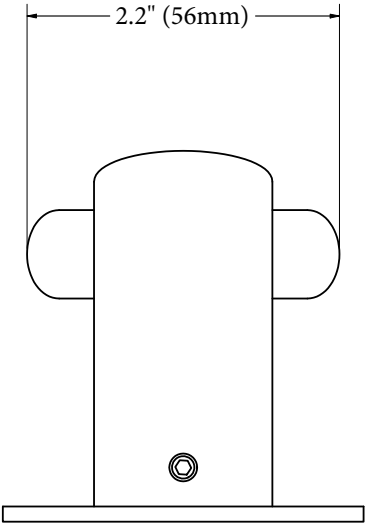
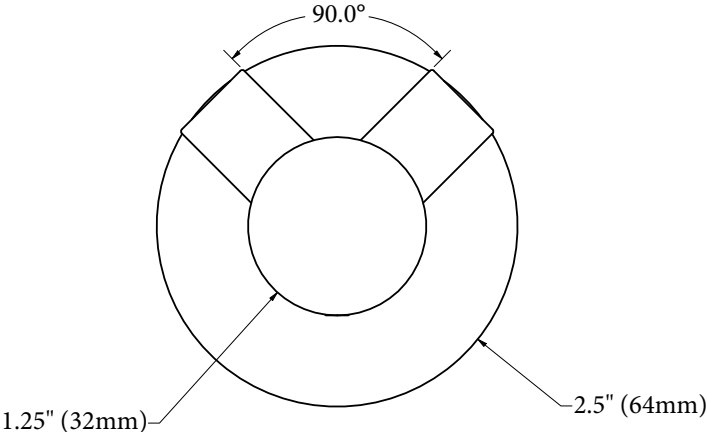
Features:

- Minimal, Elegant Design with CANTED Face
- ALL 18-8 (304) Stainless Steel Construction
- Can Be Installed with WINGITS® Fastener (optional)
- Superior Structure with Beautiful Finish

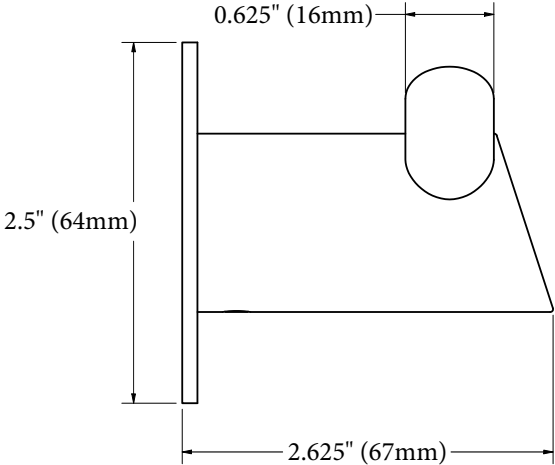
MECHANICAL DATA
Length: 2.5" (64mm) Height: 2.5" (64mm) Depth: 2.625" (67mm)
COMPOSITION
18-8 (304) Stainless Steel
INSTALLATION
Includes Stainless Steel Screw to Install into Adequate Structural Blocking . Includes 3M® VHB Waterproof Tape. Can Be Installed with WINGITS® Fasteners when blocking is not available.
RECOMMENDED INTEGRATION
PROPER INSTALLATION REQUIRES use of 3M® VHB Waterproof Tape to stop rotation and MUST be installed into Adequate Structural Blocking or with optional WINGITS® Fasteners. WINGITS® CANTED™ design is available in all Bath Accessories.

Front

Bottom

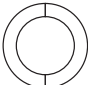

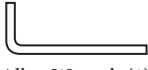



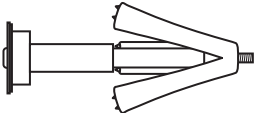
Side



Included Hardware

**Optional Hardware
(Sold Separately)**

-  3M[®] Waterproof Tape (1)
-  Steel Screw (1)
-  Allen Wrench (1)
-  Set Screw (1)

-  WINGITS[®] MASTER Anchor™ (MAW35) (1)