

# WINGITS®

## CANTED Elegance™

### Single Toilet Paper Holder

Model:

# WCNDETPH

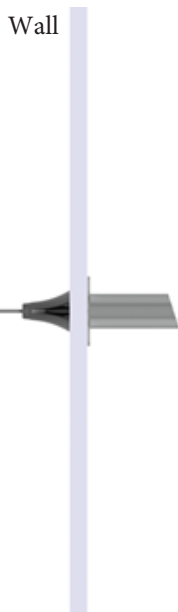
Part Numbers:

WCNDETPHPS  
Polished Finish

WCNDETPHSN  
Satin Finish

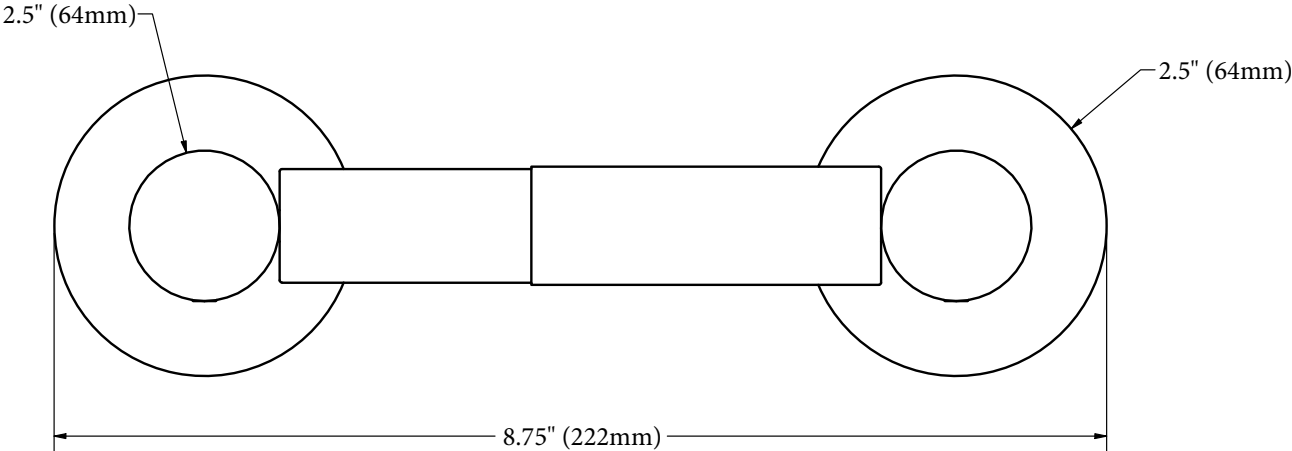


- Minimal, Elegant Design with CANTED Faces
- ALL 18-8 (304) Stainless Steel Construction
- Can Be Installed with WINGITS® Fasteners (optional)
- Superior Structure with Beautiful Finish

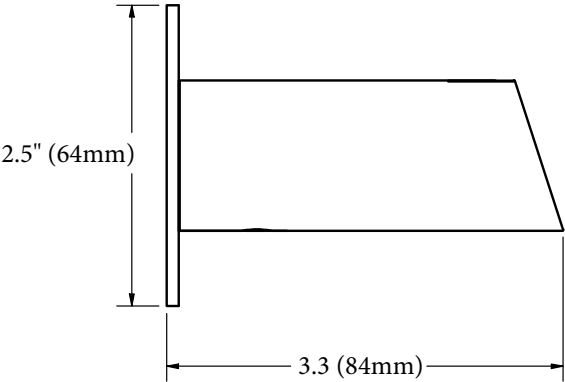


<b>MECHANICAL DATA</b>
Length: 8.75" (222mm)
Height: 2.5" (64mm)
Depth: 3.375" (84mm)
<b>COMPOSITION</b>
18-8 (304) Stainless Steel
<b>INSTALLATION</b>
Includes Stainless Steel Screws to Install into <b>Adequate Structural Blocking</b> . Includes 3M® VHB Waterproof Tape. Can Be Installed with WINGITS® Fasteners when blocking is not available.
<b>RECOMMENDED INTEGRATION</b>
<b>PROPER INSTALLATION REQUIRES</b> use of 3M® VHB Waterproof Tape to stop rotation and <b>MUST</b> be installed into <b>Adequate Structural Blocking</b> or with optional WINGITS® Fasteners. WINGITS® CANTED™ design is available in all Bath Accessories.

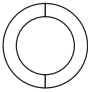

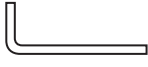

**Front**



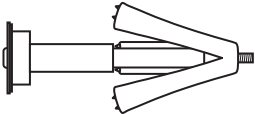
**Side**



**Included Hardware**

-  3M<sup>®</sup> Waterproof Tape (2)
-  Steel Screw (2)
-  Allen Wrench (1)
-  Set Screw (2)

**Optional Hardware  
(Sold Separately)**

-  WINGITS<sup>®</sup> MASTER Anchor™ (MAW35) (2)