

WINGITS®

CONTOUR Transitional™

Model:

GRAND Single Robe Hook

WCONTGSRH

Part Numbers:

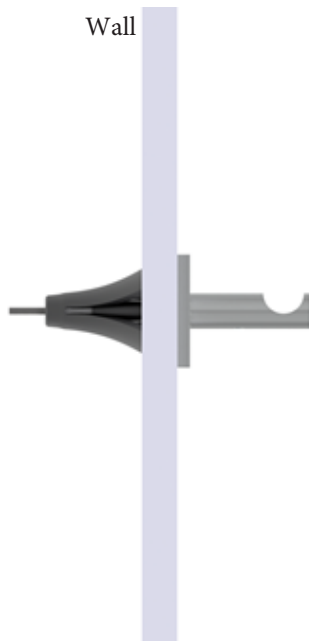
WCONTGSRHPS
Polished Finish

WCONTGSRHSN
Satin Finish



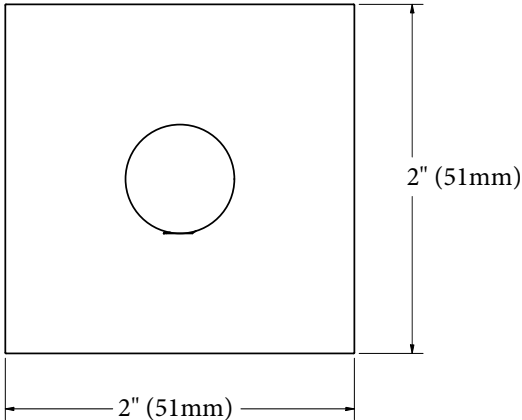
Features:

- No Lines for Dirt to Collect - Maintenance Free
- Hand Polished Stainless Steel
- Beauty, Functionality & Durability

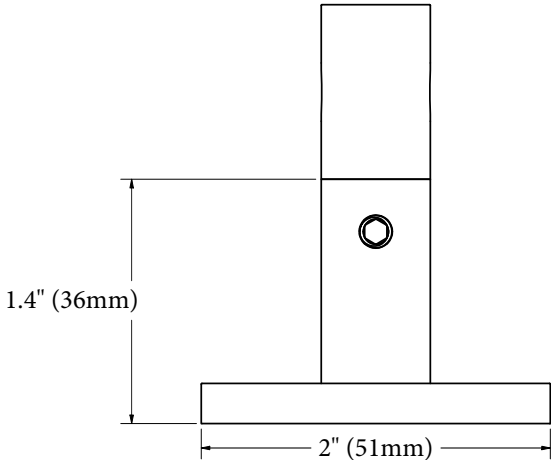


MECHANICAL DATA
Length: 2" (51mm)
Depth: 2.4" (61mm)
Height: 2" (51mm)
COMPOSITION
18-8 (304) Stainless Steel
INSTALLATION
Includes Stainless Steel Screw to Install into Adequate Structural Blocking . Includes 3M® VHB Waterproof Tape. Can Be Installed with WINGITS® Fasteners when blocking is not available.
RECOMMENDED INTEGRATION
PROPER INSTALLATION REQUIRES use of 3M® VHB Waterproof Tape to stop rotation and MUST be installed into Adequate Structural Blocking or with optional WINGITS® Fasteners. WINGITS® CONTOUR™ design is available in all Bath Accessories.

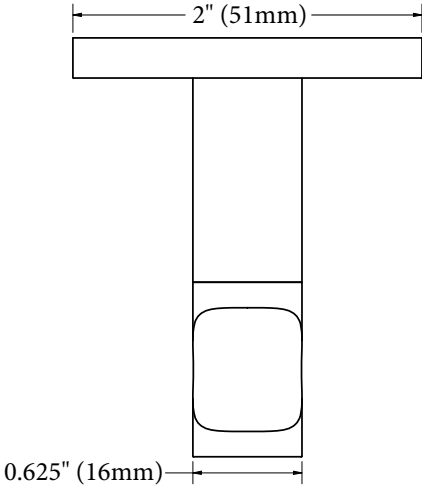
Front



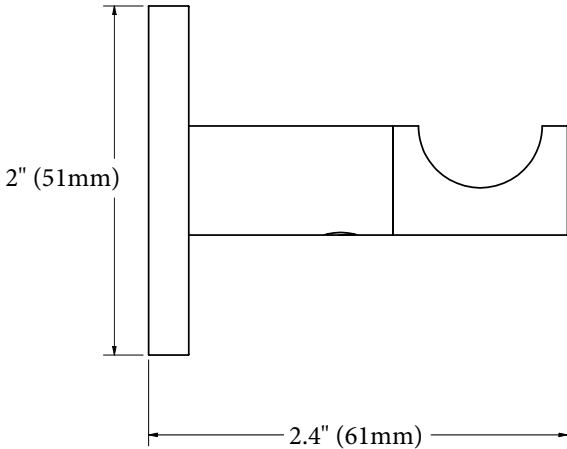
Bottom



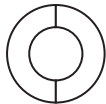
Top



Side



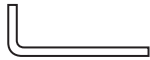
Included Hardware



3M[®] Waterproof Tape (1)



2.5" S/S Screw (1)

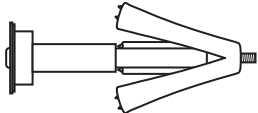


Allen Wrench (1)



Set Screw (1)

Optional Hardware
(Sold Separately)



WINGITS[®] MASTER Anchor™ (MAW35)
(1)