

# WINGITS® INFINITE Transitional™

## Square Flange Grab Bar with Round Tubing

### Model: WGB5IT

#### Part Numbers:

<b>WGB5ITPS6</b> 6" Polished Finish	<b>WGB5ITSN6</b> 6" Satin Finish
<b>WGB5ITPS8</b> 8" Polished Finish	<b>WGB5ITSN8</b> 8" Satin Finish
<b>WGB5ITPS12</b> 12" Polished Finish	<b>WGB5ITPS12</b> 12" Satin Finish
<b>WGB5ITPS16</b> 16" Polished Finish	<b>WGB5IESN16</b> 16" Satin Finish
<b>WGB5ITPS18</b> 18" Polished Finish	<b>WGB5ITSN18</b> 18" Satin Finish
<b>WGB5ITPS24</b> 24" Polished Finish	<b>WGB5ITSN24</b> 24" Satin Finish
<b>WGB5ITPS30</b> 30" Polished Finish	<b>WGB5ITSN30</b> 30" Satin Finish
<b>WGB5ITPS32</b> 32" Polished Finish	<b>WGB5ITSN32</b> 32" Satin Finish
<b>WGB5ITPS36</b> 36" Polished Finish	<b>WGB5ITSN36</b> 36" Satin Finish
<b>WGB5ITPS42</b> 42" Polished Finish	<b>WGB5ITSN42</b> 42" Satin Finish
<b>WGB5ITPS48</b> 48" Polished Finish	<b>WGB5ITSN48</b> 48" Satin Finish
<b>WGB5ITPS54*</b> 54" Polished Finish	<b>WGB5ITSN54*</b> 54" Satin Finish
<b>WGB5ITPS60*</b> 60" Polished Finish	<b>WGB5ITSN60*</b> 60" Satin Finish

\*Grab Bars include center support.

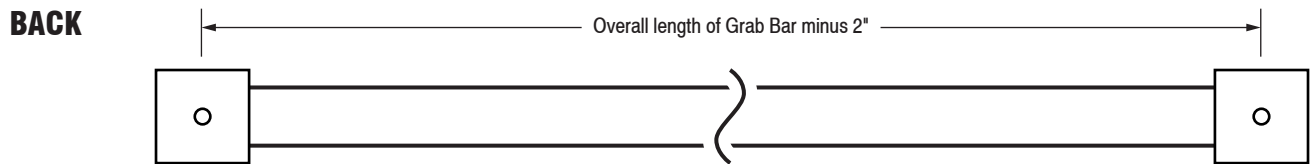
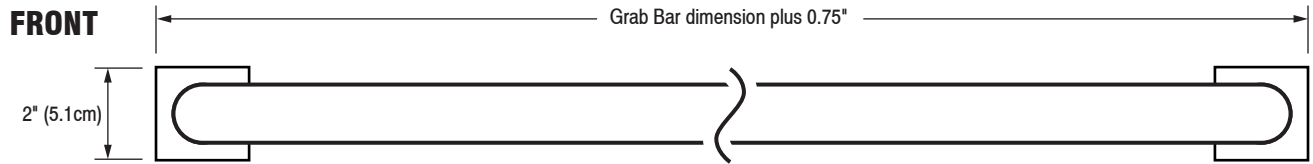


Contemporary design combines with a fully HeliArc welded construction, resulting in a Grab Bar with:

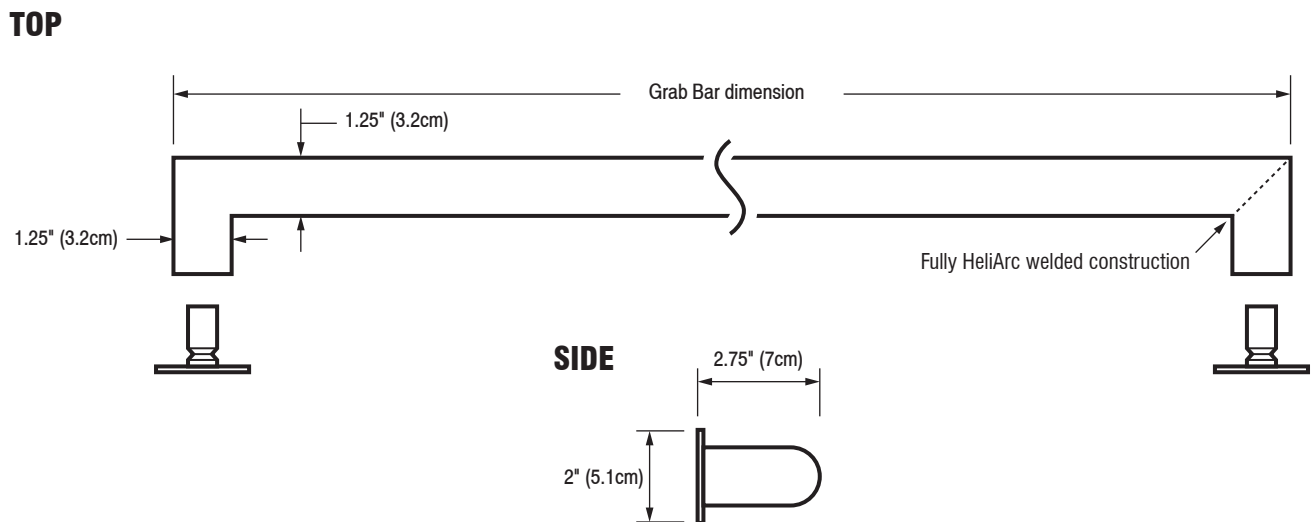
- Structural Stainless Steel
- Beauty-Functionality-Durability
- No lines for dirt to collect - maintenance free
- Unparalleled strength

<b>MECHANICAL DATA</b>
<b>Height:</b> 2" (5.1cm) <b>Length:</b> See product part number for length. Complete length of Grab Bar is usable surface. <b>Diameter:</b> 1.25" (3.2cm)
<b>PRODUCT COMPOSITION</b>
Entire product is 18/8 (304) stainless steel. Solid caps and pins are HeliArc welded to 18 gauge tube.
<b>MODALITY</b>
<b>Use:</b> Wall Installation. <b>Load Capability:</b> 800 lbs. (362.9kg) when properly installed.
<b>INSTALLATION</b>
<b>WingIts® INFINITE Transitional™</b> Structural Stainless Steel Grab Bars are designed to hold live loads and <b>must be installed into adequate structural blocking</b> or with <b>WingIts® Grab Bar Fasteners (GBWME40)</b> .
<b>CERTIFICATIONS</b>
<b>WingIts® INFINITE Transitional™</b> Structural Stainless Steel Grab Bars meet or exceed the applicable requirements of all building codes, ADA criteria, and 2010 ADAAG and 2009 ANSI standards.
<b>RECOMMENDED INTEGRATION</b>
For hollow wall construction, it is recommended that <b>WingIts® Grab Bar Fasteners (GBWME40)</b> are used with this product. See Fastener instructions for applications.

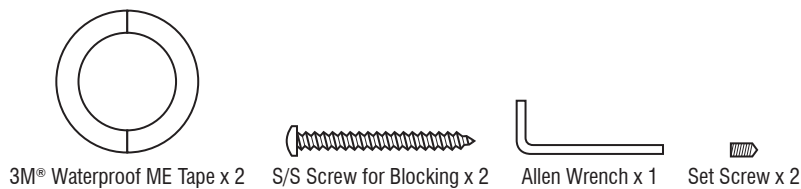
# WINGITS®



To determine the installation points of the Grab bar, DEDUCT 1.25" from the Grab bar length.  
e.g., A 24" Grab bar has mount holes at 22.75".



**INCLUDED HARDWARE**



**OPTIONAL HARDWARE**  
(Sold Separately)

