

WINGITS®

STANDARD™

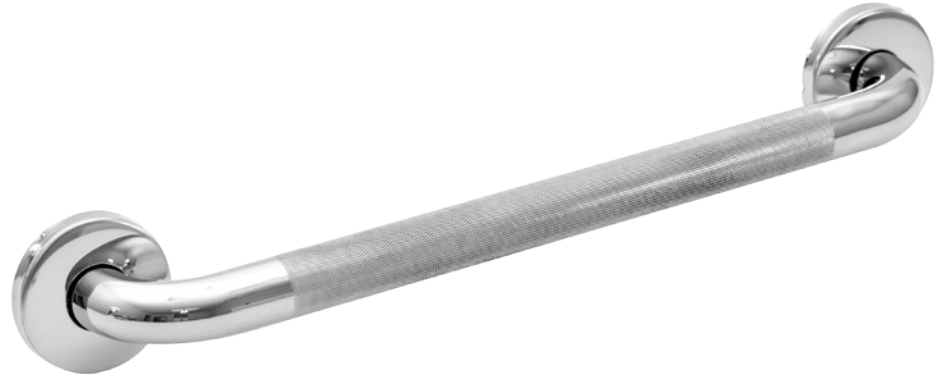
Stainless Steel Grab Bar - Knurled

Model:

WGB5KN

Part Numbers:

WGB5PSKN12 12" Polished Finish	WGB5SSKN12 12" Satin Finish
WGB5PSKN16 16" Polished Finish	WGB5SSKN16 16" Satin Finish
WGB5PSKN18 18" Polished Finish	WGB5SSKN18 18" Satin Finish
WGB5PSKN24 24" Polished Finish	WGB5SSKN24 24" Satin Finish
WGB5PSKN30 30" Polished Finish	WGB5SSKN30 30" Satin Finish
WGB5PSKN32 32" Polished Finish	WGB5SSKN32 32" Satin Finish
WGB5PSKN36 36" Polished Finish	WGB5SSKN36 36" Satin Finish
WGB5PSKN42 42" Polished Finish	WGB5SSKN42 42" Satin Finish
WGB5PSKN48 48" Polished Finish	WGB5SSKN48 48" Satin Finish



Features:

- All parts are 18-8 (304) Stainless Steel - tubing is 18-Gauge (1.2mm)
- Mounting Flanges are 3" (76mm) in diameter, 3/32" (2.5mm) thick, HeliArc welded to the tubing
- Mounting Flanges have 5 holes for attachment to WINGITS® Fasteners or Adequate Structural Blocking
- Meets or Exceeds all Building Codes, ADA Criteria, 2010 ADAAG and 2017 ANSI Standards
- Anti-Slip Grab Bar that repels dirt and bacteria

MECHANICAL DATA

Length: see part number
Height: 3" (76mm)
Depth: 2.75" (70mm)
Tube Diameter: 1.25" (32mm)

COMPOSITION

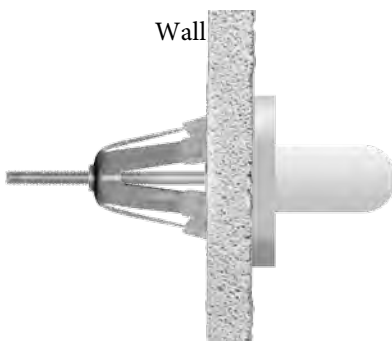
18-8 (304) Stainless Steel

INSTALLATION

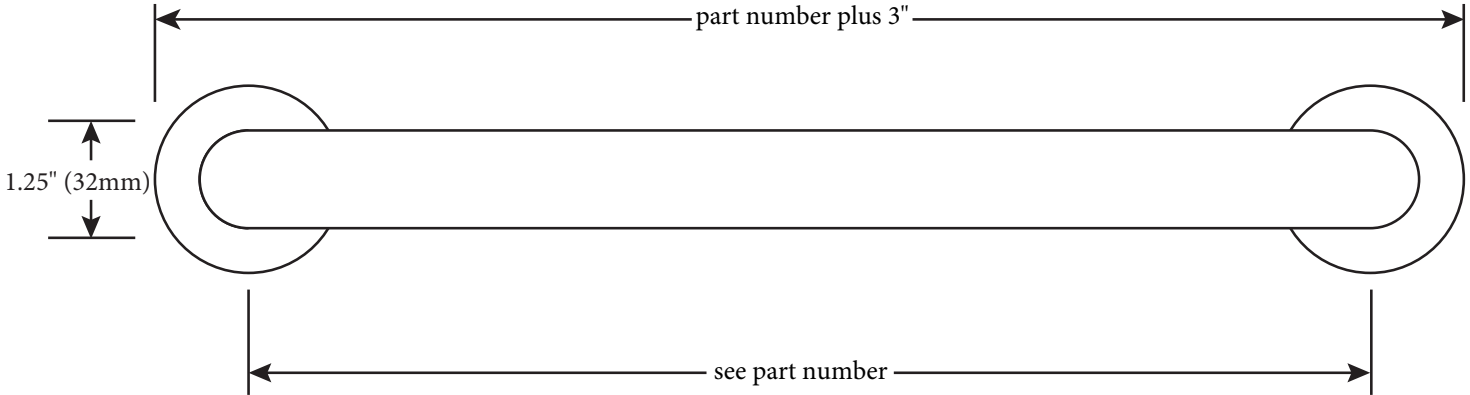
Includes Stainless Steel Screws to Install into **Adequate Structural Blocking**.
 Can Be Installed with WINGITS® Fasteners when blocking is not available.

RECOMMENDED INTEGRATION

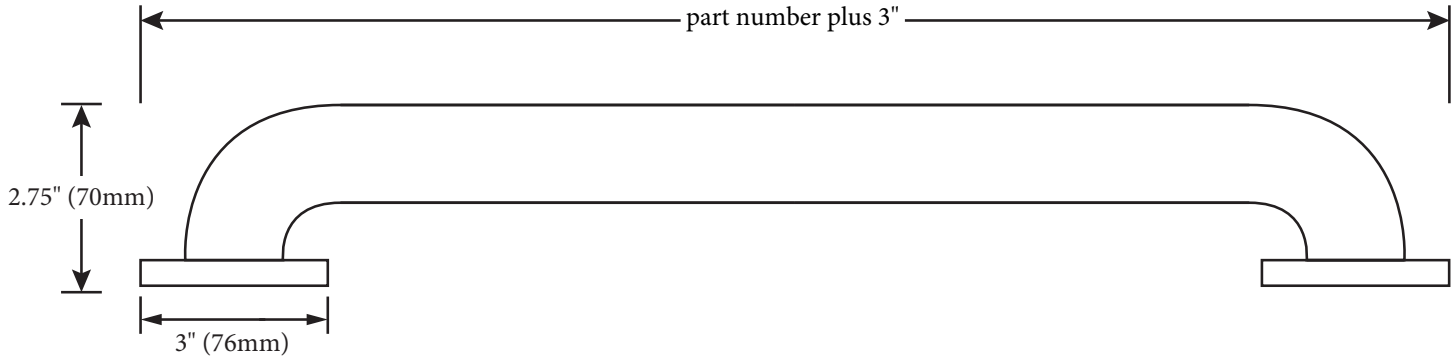
Install into **Adequate Structural Blocking** or with WINGITS® Fasteners.



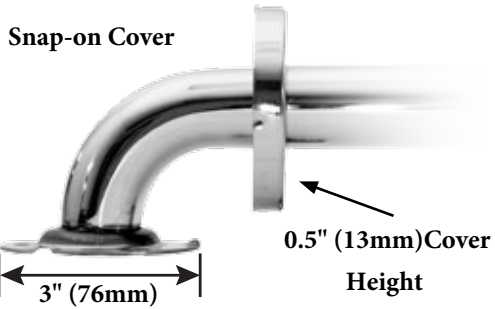
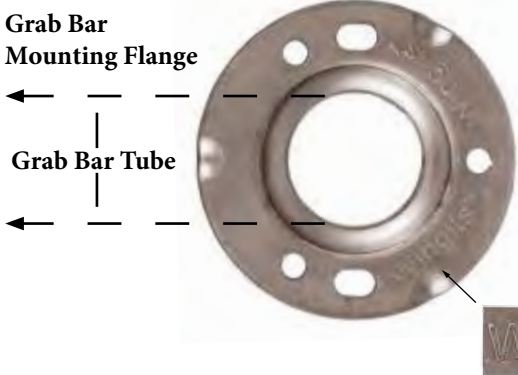
Front



Top



Holes - 0.25" (6mm)
 Slots - 0.25" (6mm) x 0.5" (13mm)
 (used when installing with the WINGITS® Grab Bar Fastening System)
 Bolt Circle is 2.3125" (59mm)



Included Hardware



2.5" S/S Screw (6)

**Optional Hardware
 (Sold Separately)**



WINGITS® Grab Bar Fastener (GBW40) (2)



WINGITS® Reverse Grab Bar Fastener (SRGBW40) (2)



WINGITS® Structurally Engineered (RES) Grab Bar Fastener (RESGBW35) (2)