

WINGITS®

STANDARD™

Stainless Steel Grab Bar - Peened

Model:
WGB5PE

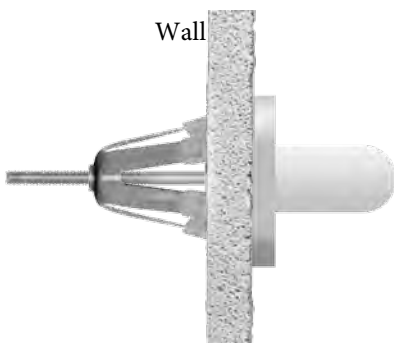
Part Numbers:

WGB5PSPE12 12" Polished Finish	WGB5SSPE12 12" Satin Finish
WGB5PSPE16 16" Polished Finish	WGB5SSPE16 16" Satin Finish
WGB5PSPE18 18" Polished Finish	WGB5SSPE18 18" Satin Finish
WGB5PSPE24 24" Polished Finish	WGB5SSPE24 24" Satin Finish
WGB5PSPE30 30" Polished Finish	WGB5SSPE30 30" Satin Finish
WGB5PSPE32 32" Polished Finish	WGB5SSPE32 32" Satin Finish
WGB5PSPE36 36" Polished Finish	WGB5SSPE36 36" Satin Finish
WGB5PSPE42 42" Polished Finish	WGB5SSPE42 42" Satin Finish
WGB5PSPE48 48" Polished Finish	WGB5SSPE48 48" Satin Finish



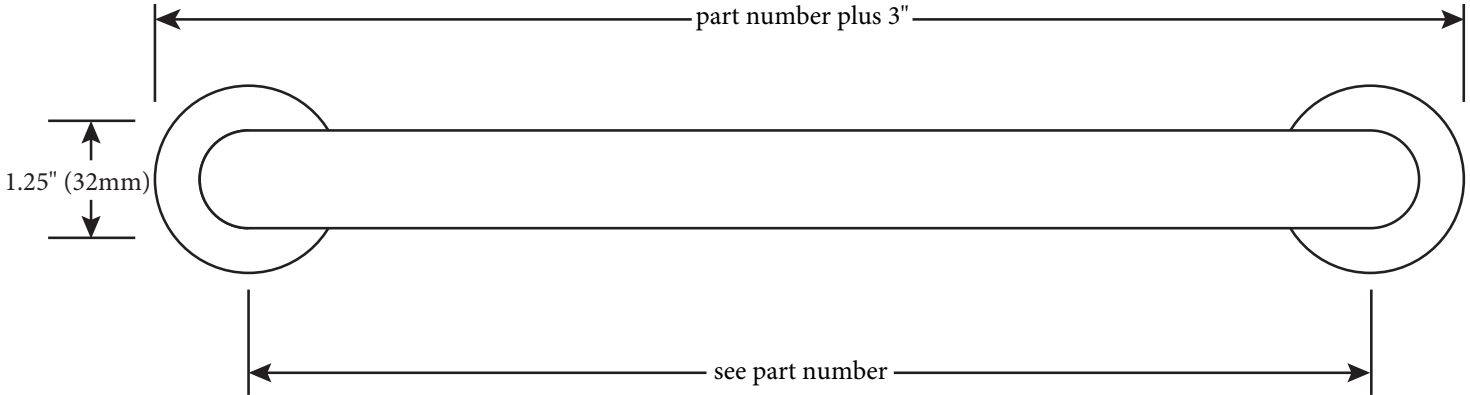
Features:

- All parts are 18-8 (304) Stainless Steel - tubing is 18-Gauge (1.2mm)
- Mounting Flanges are 3" (76mm) in diameter, 3/32" (2.5mm) thick, HeliArc welded to the tubing
- Mounting Flanges have 5 holes for attachment to WINGITS® Fasteners or Adequate Structural Blocking
- Meets or Exceeds all Building Codes, ADA Criteria, 2010 ADAAG and 2017 ANSI Standards
- Anti-Slip Grip

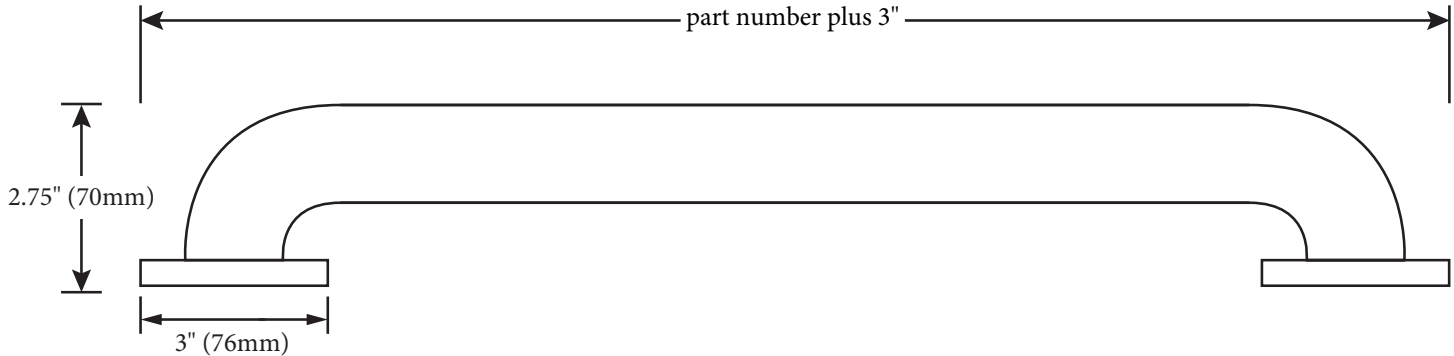


MECHANICAL DATA
Length: see part number
Height: 3" (76mm)
Depth: 2.75" (70mm)
Tube Diameter: 1.25" (32mm)
COMPOSITION
18-8 (304) Stainless Steel
INSTALLATION
Includes Stainless Steel Screws to Install into Adequate Structural Blocking . Can Be Installed with WINGITS® Fasteners when blocking is not available.
RECOMMENDED INTEGRATION
Install into Adequate Structural Blocking or with WINGITS® Fasteners.

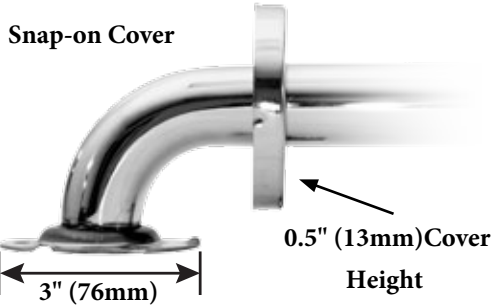
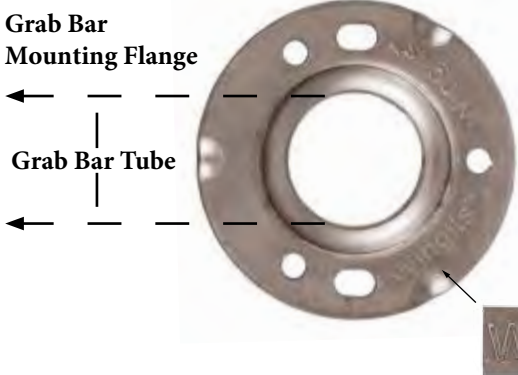
Front



Top



Holes - 0.25" (6mm)
 Slots - 0.25" (6mm) x 0.5" (13mm)
 (used when installing with the
 WINGITS® Grab Bar Fastening
 System)
 Bolt Circle is 2.3125" (59mm)



Included Hardware



2.5" S/S Screw (6)

**Optional Hardware
 (Sold Separately)**



WINGITS® Grab Bar Fastener (GBW40) (2)



WINGITS® Reverse Grab Bar Fastener (SRGBW40) (2)



WINGITS® Structurally Engineered (RES) Grab Bar Fastener (RESGBW35) (2)