

# WINGITS®

# INFINITE Elegance™

## Double Horizontal Vertical Toilet Paper Holder

**Model:**  
**WIEDHVTPH**

**Part Numbers:**  
**WIEDHVTPHPS**      **WIEDHVTPHSN**  
 Polished Finish      Satin Finish



Contemporary design combines with **PATENTED** BridgeBind™ Technology resulting in a Toilet Paper Holder with:

- Structural Stainless Steel
- Beauty-Functionality-Durability
- No lines for dirt to collect - maintenance free
- Unparalleled strength

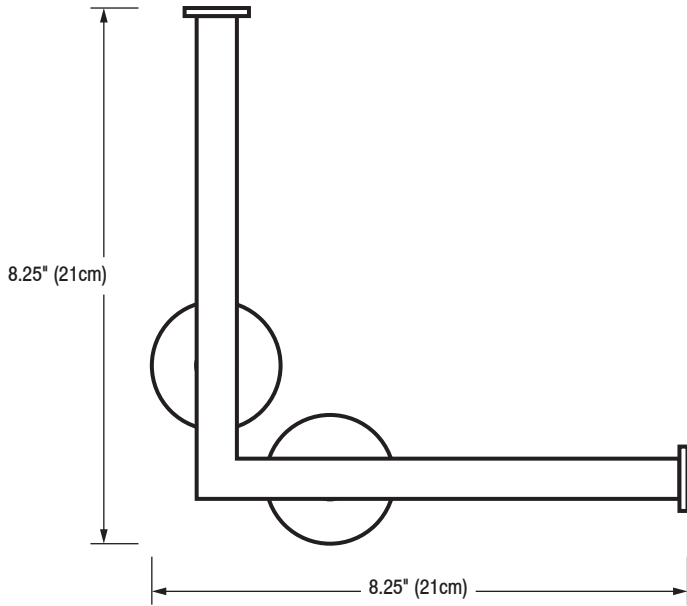
BridgeBind™ Technology is the result of drilling a hole completely through stainless steel tubing, inserting a solid stainless steel pin, and HeliArc Welding the pin to the far point of the tube; solidifying the pin and tube into one piece. Creating the ultimate structural bond.

<b>MECHANICAL DATA</b>
<p><b>Height:</b> 8.25" (21cm)  <b>Width:</b> 8.25" (21cm)  <b>Projection:</b> 3" (7.6cm)</p>
<b>PRODUCT COMPOSITION</b>
<p>Entire product is 18/8 (304) stainless steel. Solid caps and pins are HeliArc welded to 18 gauge tube.</p>
<b>MODALITY</b>
<p><b>Use:</b> Wall Installation</p>
<b>INSTALLATION</b>
<p><b>WingIts®</b> INFINITE Elegance™ Double Horizontal Vertical Toilet Paper Holders are designed to be <b>installed into adequate structural blocking</b> or with <b>WingIts®</b> Fasteners (MAW35).</p>
<b>RECOMMENDED INTEGRATION</b>
<p>For hollow wall construction, it is recommended that <b>WingIts®</b> Fasteners (MAW35) are used with this product.</p>

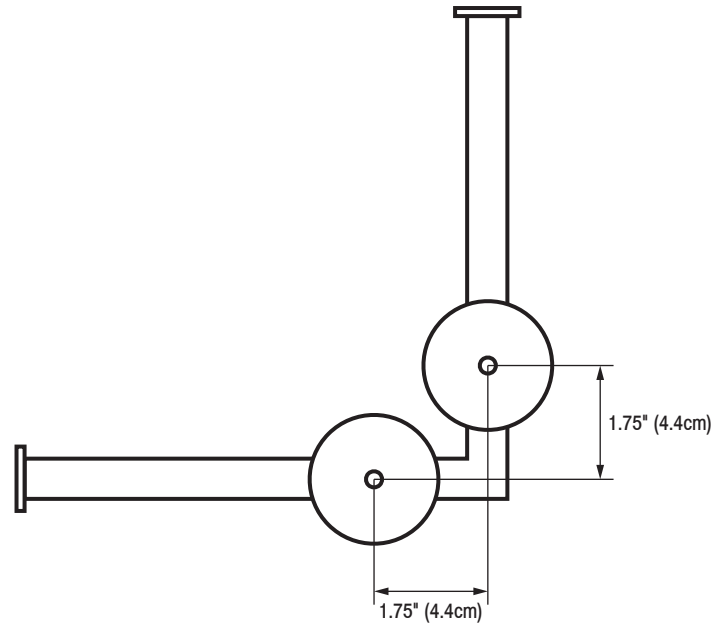
20140820\_rev5

# WINGITS®

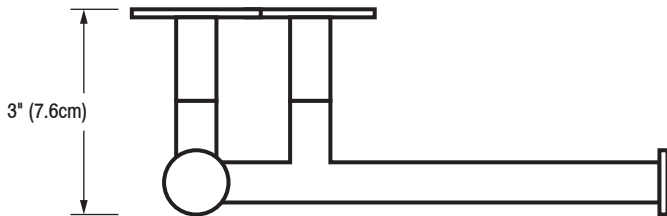
**FRONT**



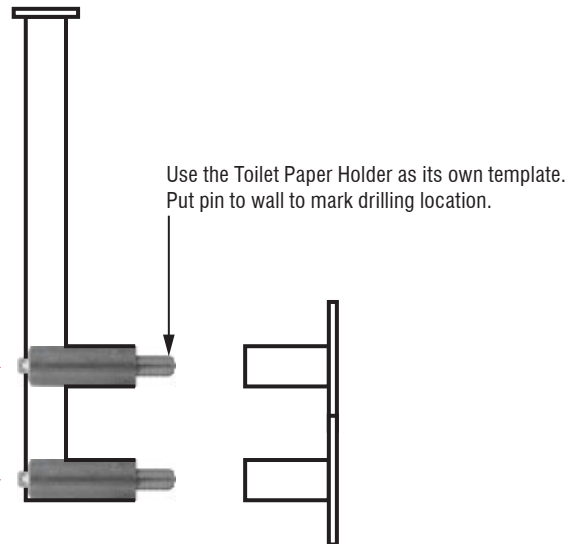
**BACK**



**TOP**

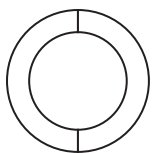


**SIDE**



BridgeBind™ Technology:  
Solid stainless steel pin is HeliArc  
welded to stainless steel tube.

**INCLUDED HARDWARE**



3M® Waterproof ME Tape x 2



S/S Screw for Blocking x 2



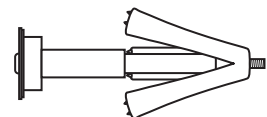
Allen Wrench x 1



Set Screw x 2

**OPTIONAL HARDWARE**

(Sold Separately)



Wingits® Fastener (MAW35) x 2