

WINGITS®

INFINITE Elegance™

GRAND Mitered Double Robe Hook

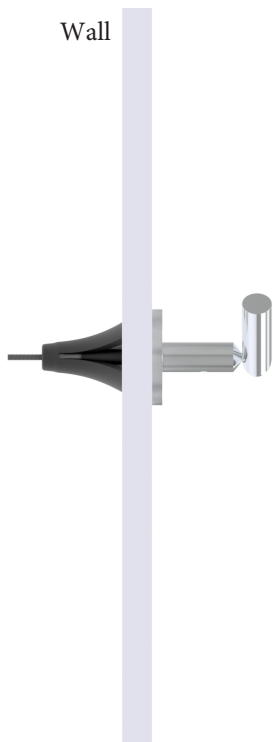
Model:

WIEGDRH

Part Numbers:

WIEGDRHPS
Polished Finish

WIEGDRHSN
Satin Finish

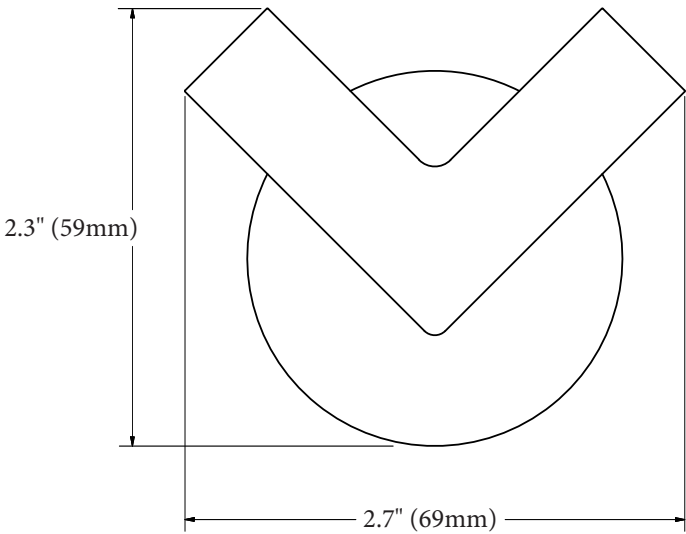


Features:

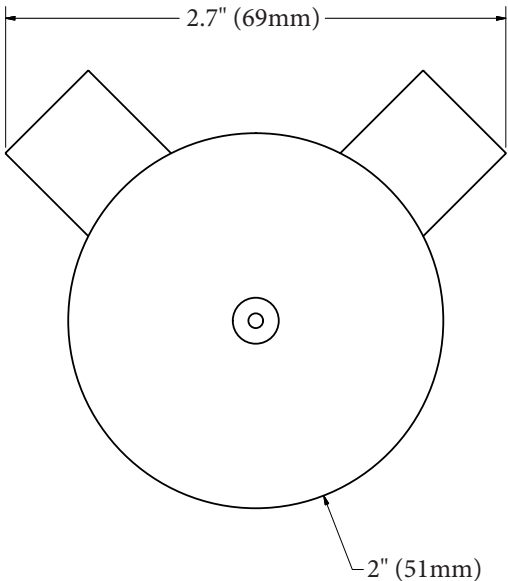
- Fully HeliArc® welded Structural Stainless Steel sculpted for Beauty, Function & Durability
- No Lines for Dirt to Collect - Maintenance Free
- Hand Polished Stainless Steel

MECHANICAL DATA
Length: 2.7" (69mm)
Depth: 2.5" (64mm)
Height: 2.3" (59mm)
Tube Diameter: 0.625" (16mm)
COMPOSITION
18-8 (304) Stainless Steel
INSTALLATION
Includes Stainless Steel Screws to Install into Adequate Structural Blocking . Includes 3M® VHB Waterproof Tape. Can Be Installed with WINGITS® Fasteners when blocking is not available.
RECOMMENDED INTEGRATION
PROPER INSTALLATION REQUIRES use of 3M® VHB Waterproof Tape to stop rotation and MUST be installed into Adequate Structural Blocking or with optional WINGITS® Fasteners. WINGITS® INFINITE™ design is available in all Bath Accessories.

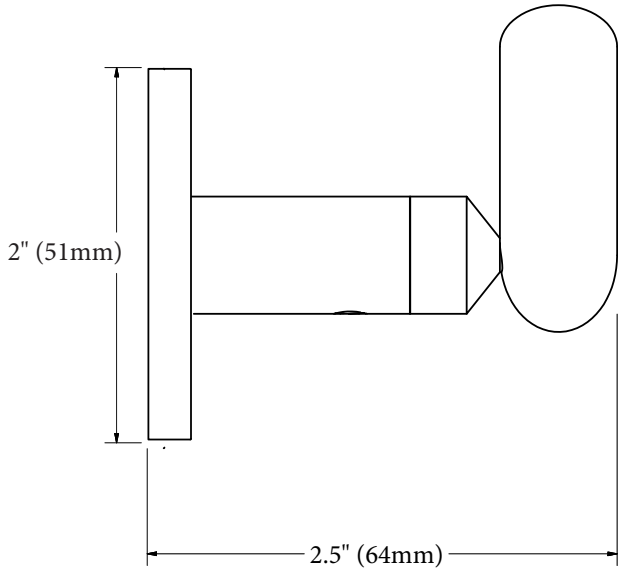
Front



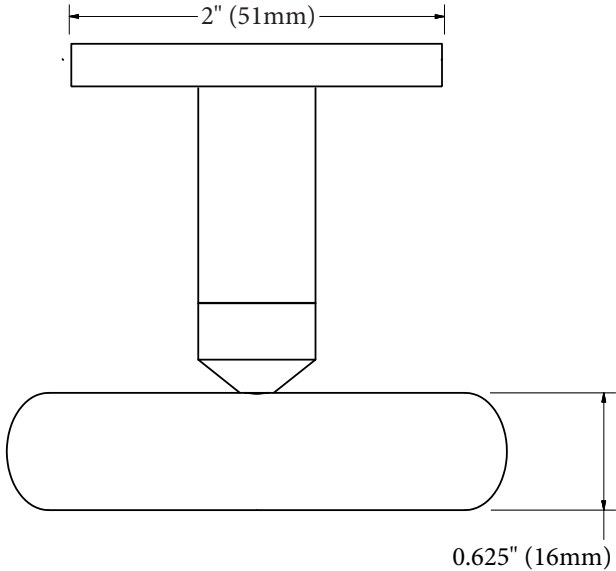
Back



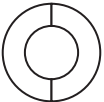



Side



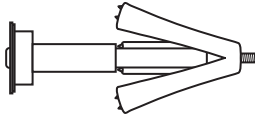
Top



Included Hardware

-  3M[®] Waterproof Tape (1)
-  Allen Wrench (1)
-  Large S/S Screw (1)
-  Set Screw (1)

Optional Hardware
(Sold Separately)

-  WINGITS[®] MASTER Anchor™ (MAW35)
(1)