

WINGITS®

CONTOUR™ RECTANGULAR

5' Curved Shower Rod (6" bow)

Model:

WCONREC5

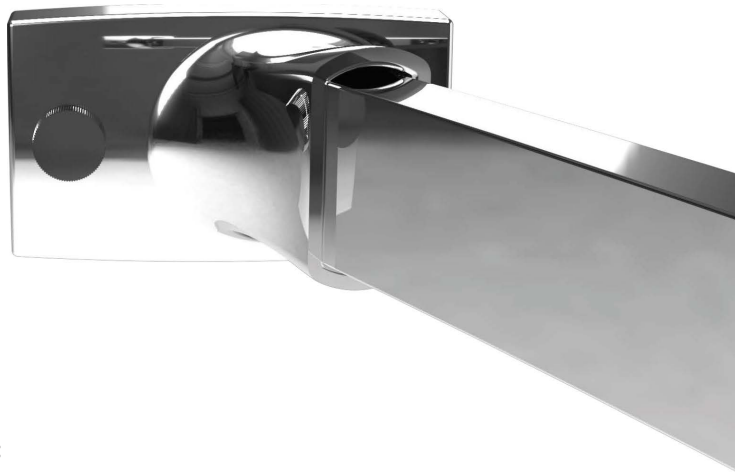
Part Numbers:

WCONRECPS5NC

5' Curved Shower Rod
Polished Finish

WCONRECPS5REN

5' Curved Shower Rod
Polished Finish



Features:

- No Unsightly Joints or Hinges - just Clean, Flowing Lines
- Hidden Multi-vector Interlock Keeps the Rod from Sagging
- Structure, Durability, and Ease of Use for All Curtain Types
- Simplest Installation of ALL Curved Rods
- Can Install in Drywall with WINGITS® Fasteners
- No Exposed "hinge" to Clean or Re-tighten

MECHANICAL DATA

Height: 1.5" (38mm)

Length: Adjusts from 58.5" (1486mm) to 60" (1524mm) without modifying tube.

Depth: 6" (152mm)

COMPOSITION

Tube: 22 gauge stainless steel **Bracket:** Chrome plated zinc

INSTALLATION

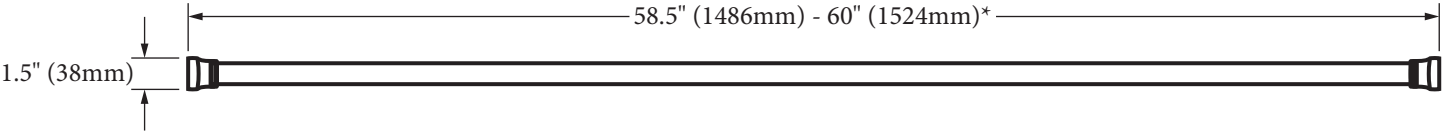
Includes Stainless Steel Screws to Install into **Adequate Structural Blocking**.
Can Be Installed with WINGITS® Fasteners when blocking is not available.

RECOMMENDED INTEGRATION

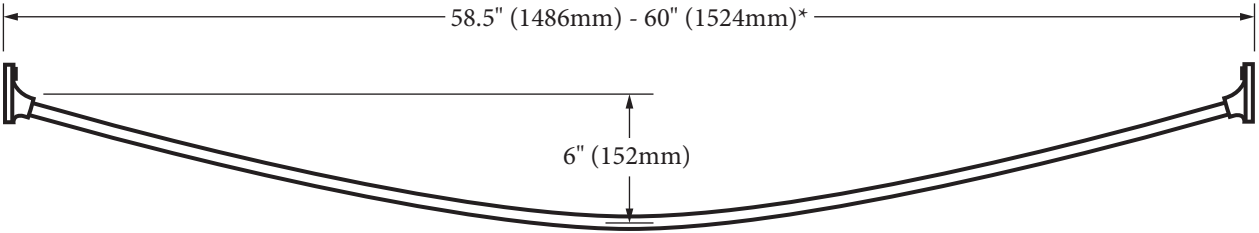
Install into **Adequate Structural Blocking** or with WINGITS® Fasteners.
WINGITS® CONTOUR™ design is available in all Bath Accessories.



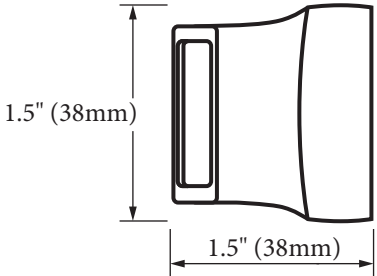
Front



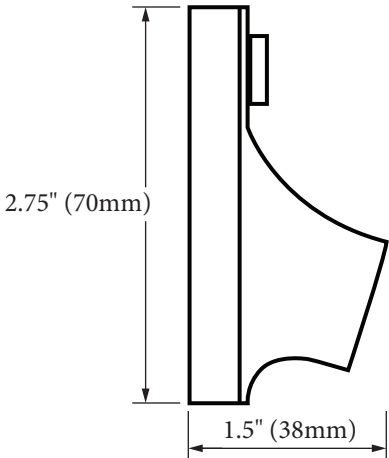
Top



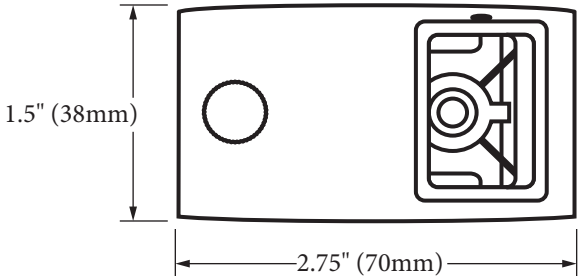
*Rod can be cut if further modification is needed



Bracket Front



Bracket Top



Bracket Side

Included Hardware for New Construction (NC Kit)



Included Hardware for Renovation (RENKIT)

