

WINGITS®

CONTOUR™ OVAL

5' Curved Shower Rod (6" bow)
with Multi-Purpose Hook

Model:
WOCON

Part Numbers:

WOCONPS5NCMPH
5' Curved Shower Rod
Polished Finish

WOCONS5NCMPH
5' Curved Shower with 6"
Rod Satin Finish

WOCONPS5RENMPH
5' Curved Shower Rod
Polished Finish

WOCONS5REN
5' Curved Shower Rod
Satin Finish

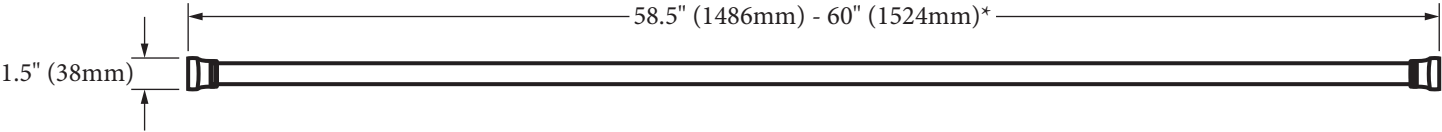


Features:

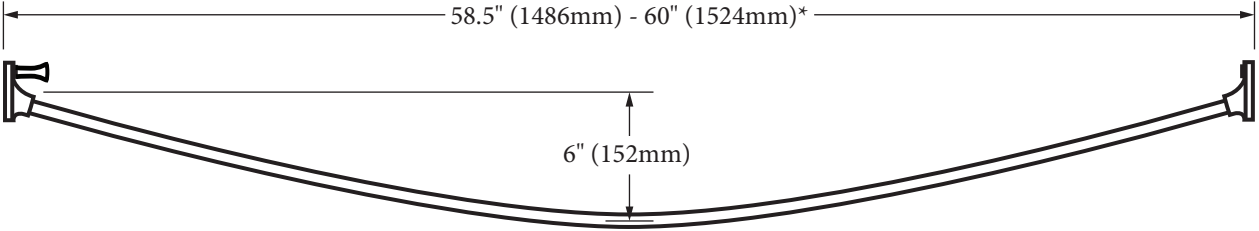
- No Unsightly Joints or Hinges - just Clean, Flowing Lines
- Hidden Multi-vector Interlock Keeps the Rod from Sagging
- Structure, Durability, and Ease of Use for All Curtain Types
- Simplest Installation of ALL Curved Rods
- Can Install in Drywall with WINGITS® Fasteners
- No Exposed "hinge" to Clean or Re-tighten

MECHANICAL DATA
Height: 1.5" (38mm)
Length: Adjusts from 58.5" (1486mm) to 60" (1524mm) without modifying tube.
Depth: 6" (152mm)
COMPOSITION
Tube: 22 gauge stainless steel Bracket: Chrome plated zinc
INSTALLATION
Includes Stainless Steel Screws to Install into Adequate Structural Blocking . Can Be Installed with WINGITS® Fasteners when blocking is not available.
RECOMMENDED INTEGRATION
Install into Adequate Structural Blocking or with WINGITS® Fasteners. WINGITS® CONTOUR™ design is available in all Bath Accessories.

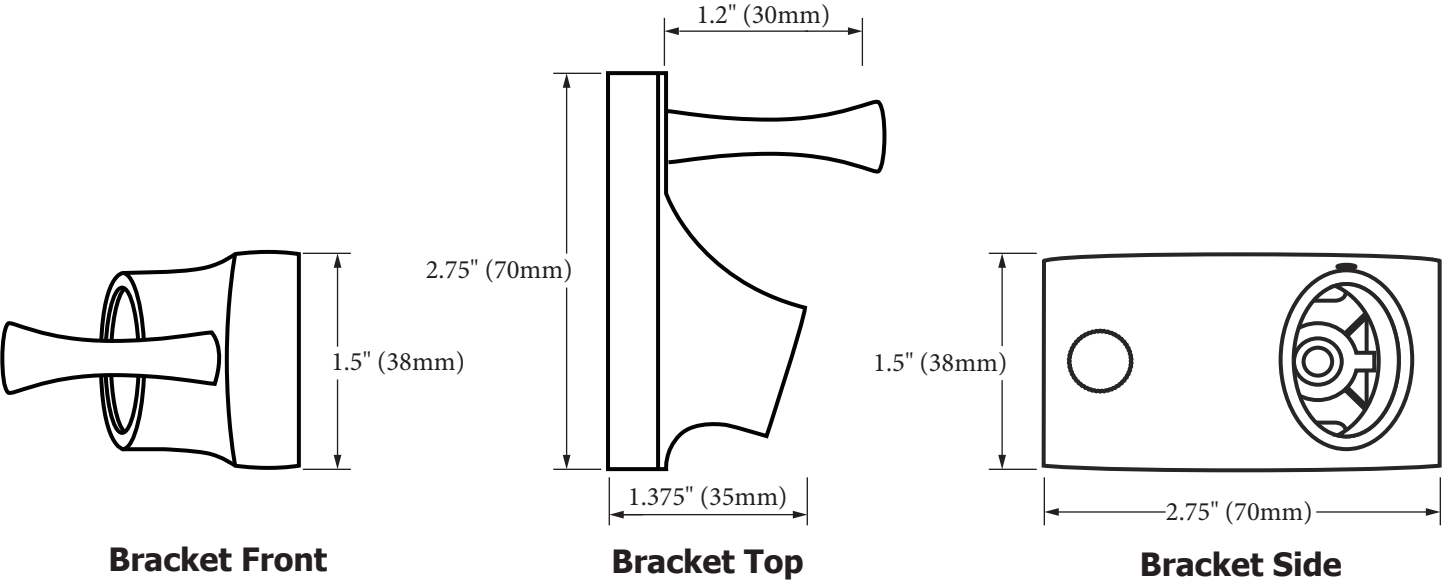
Front



Top



*Rod can be cut if further modification is needed



Included Hardware for New Construction (NC Kit)

- Allen Wrench
(1)
- Set Screw
(2)
- S/S Screw for Blocking
(4)

Included Hardware for Renovation (RENKIT)

- Plastic Anchor
(2)
- Allen Wrench
(1)
- Set Screw
(2)
- S/S Screw for Blocking
(4)
- Waterproof Adhesive Template
(2)
- WINGITS[®] MASTER Anchor
(MAW35) (2)