

WINGITS®

CONTOUR™ OVAL

6' Curved Shower Rod (9" bow)

Model:

WOCON6

Part Numbers:

WOCONPS6NC
6' Curved Shower Rod
Polished Finish

WOCONS6NC
6' Curved Shower Rod
Satin Finish

WOCONPS6REN
6' Curved Shower Rod
Polished Finish

WOCONS6REN
6' Curved Shower Rod
Satin Finish



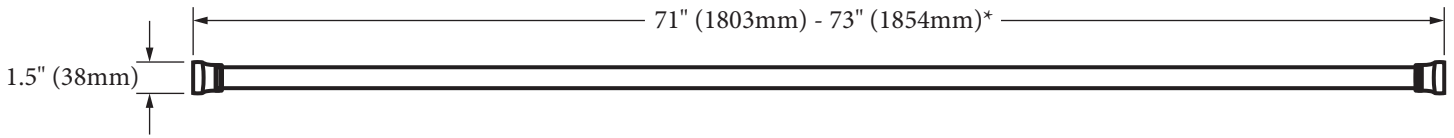
Features:

- No Unsightly Joints or Hinges - just Clean, Flowing Lines
- Hidden Multi-vector Interlock Keeps the Rod from Sagging
- Structure, Durability, and Ease of Use for All Curtain Types
- Simplest Installation of ALL Curved Rods
- Can Install in Drywall with WINGITS® Fasteners
- No Exposed "hinge" to Clean or Re-tighten

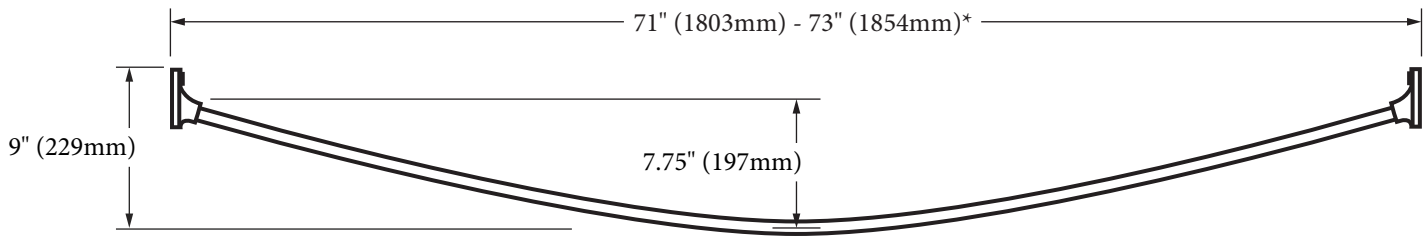
MECHANICAL DATA
Height: 1.5" (38mm) Length: 6' Rod Adjusts from 71" (1803mm) to 73" (1854mm) without modifying tube. Depth: 9" (229mm)
COMPOSITION
Tube: 22 gauge stainless steel Bracket: Chrome plated zinc
INSTALLATION
Includes Stainless Steel Screws to Install into Adequate Structural Blocking . Can Be Installed with WINGITS® Fasteners when blocking is not available.
RECOMMENDED INTEGRATION
Install into Adequate Structural Blocking or with WINGITS® Fasteners. WINGITS® CONTOUR™ design is available in all Bath Accessories.



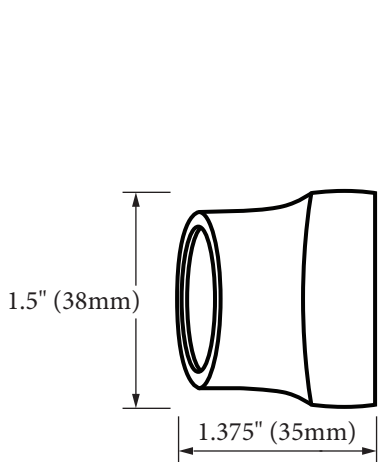
Front



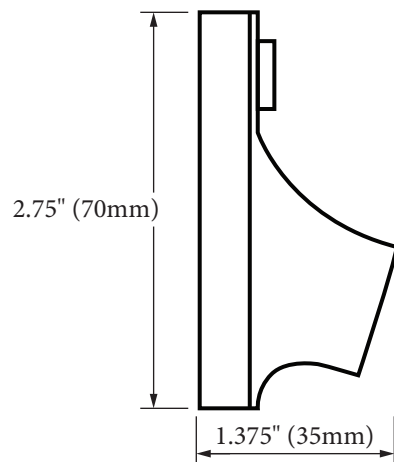
Top



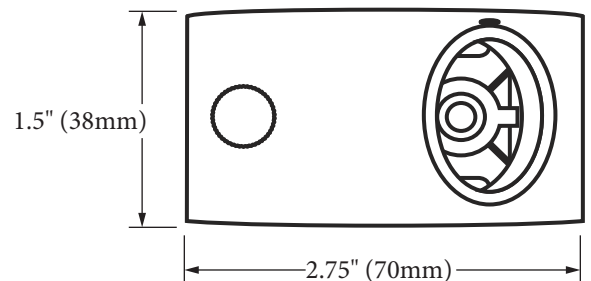
*Rod can be cut if further modification is needed



Bracket Front

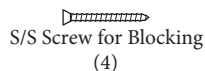
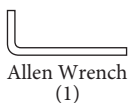


Bracket Top

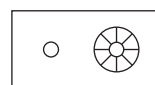
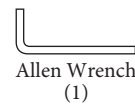


Bracket Side

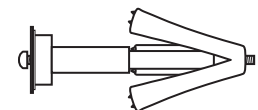
Included Hardware for New Construction (NC Kit)



Included Hardware for Renovation (RENKIT)



Waterproof Adhesive Template (2)



WINGITS* MASTER Anchor (MAW35) (2)