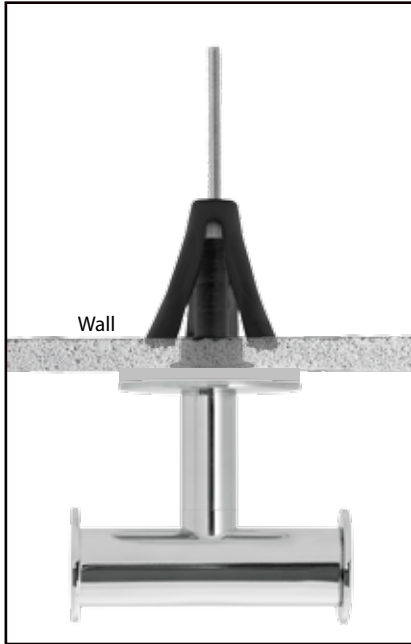


WINGITS® MAX Elegance™ Grand Stainless Steel Double Coat Hook

Model:
WXEGDCH

Part Numbers:
WXEGDCHPS Polished Finish WXEGDCHSN Satin Finish



- Made of 18/8 (304) stainless steel
- Patented BridgeBind™ Technology - fully HeliArc welded construction
- Rated up to 100 lbs
- Available in high polished or satin finishes - compliments any bathroom style
- Functionality - durability - maintenance free
- Easy installation - guaranteed to NEVER loosen using WingIts® Fasteners (optional)
- Clean flowing lines through minimalist design
- Coordinates with other products in the MAX Elegance™ collection

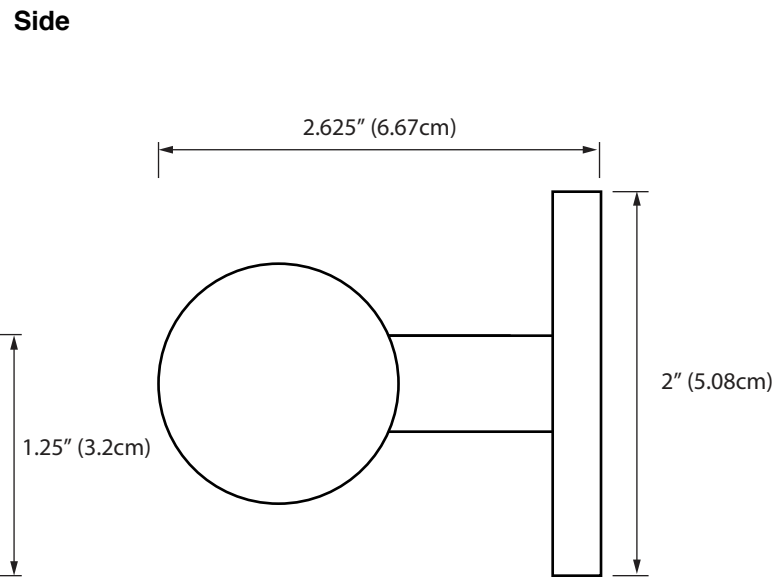
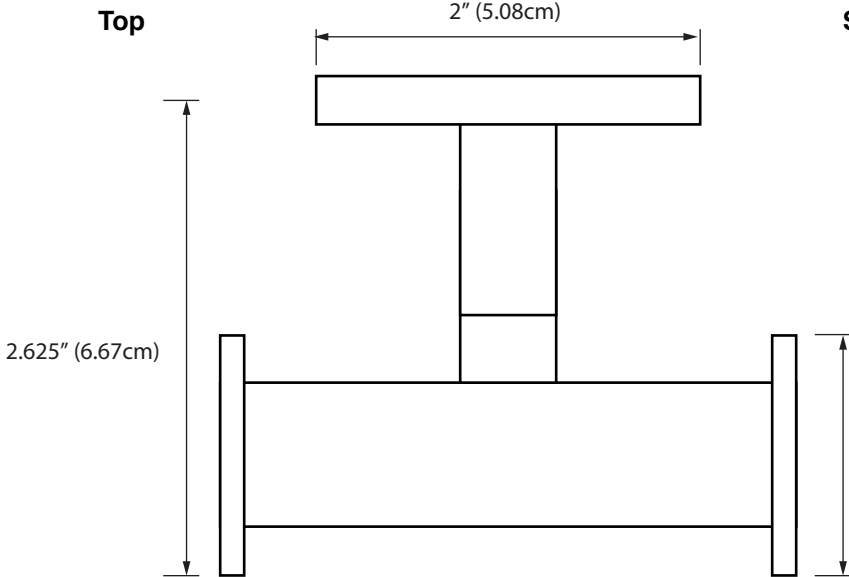
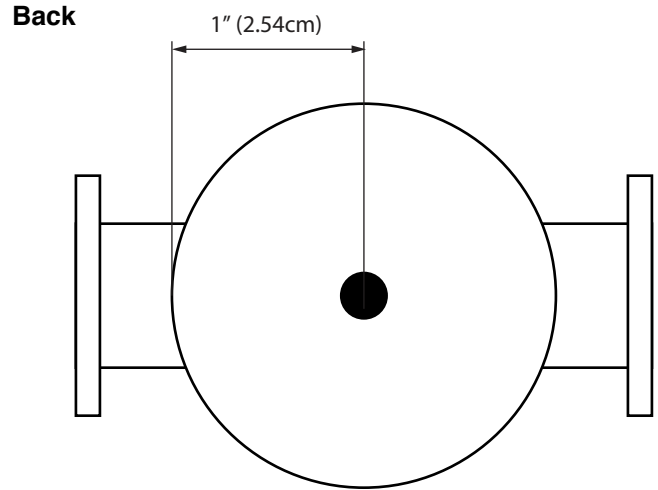
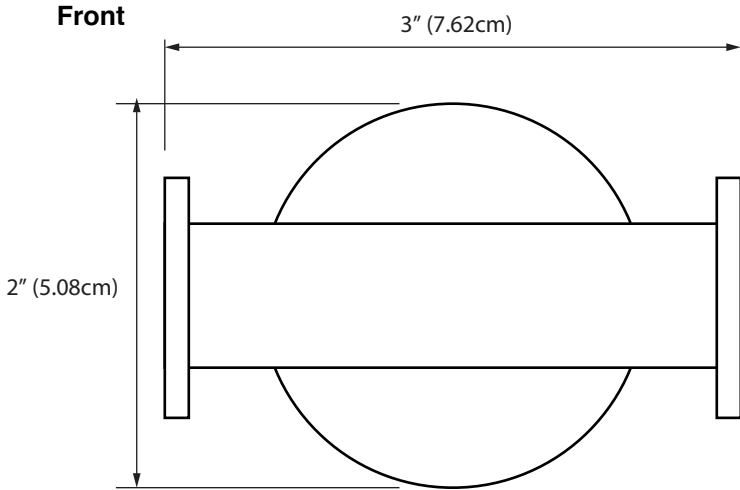
PATENTED
BridgeBind™ Technology



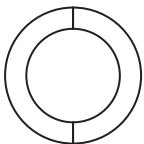
BridgeBind™ technology is the result of drilling a hole completely through stainless steel rod - inserting a solid stainless steel pin and HeliArc welding the pin to the far point of the tube - solidifying the pin and tube into one piece - CREATING THE ULTIMATE STRUCTURAL BOND.

MECHANICAL DATA
Height: 3" (7.62cm) Length: 2" (5.08cm) Projection: 2.625" (6.67cm)
PRODUCT COMPOSITION
Entire product is solid 18/8 (304) HeliArc welded stainless steel.
MODALITY
Use: Can be used in horizontal or vertical position.
INSTALLATION
WINGITS® MAX Elegance™ Coat Hooks are designed to be installed into adequate structural blocking or with optional WINGITS® MASTER Anchor™ Fastener (MAW35) for hollow wall construction.

WINGITS®



INCLUDED HARDWARE



3M® VHB Waterproof Tape x 1



Large Screw x 1

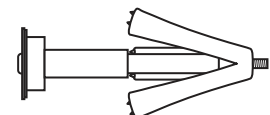


Allen Wrench x 1



Set Screw x 1

OPTIONAL HARDWARE
(Sold Separately)



WINGITS® MASTER Anchor™
(MAW35) x 1