

# WINGITS®

# INFINITE Transitional™

Model:

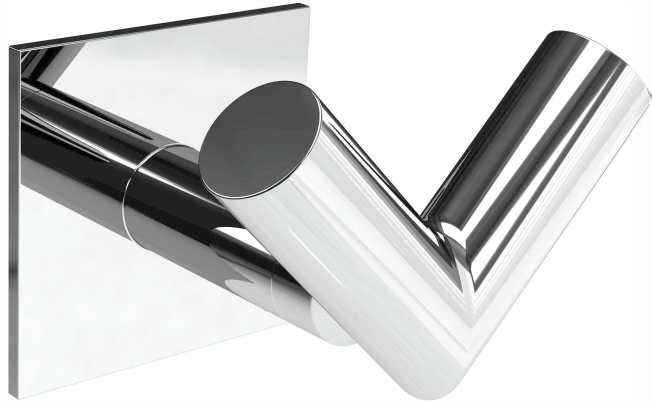
## Double Robe Hook

## WITDRH

Part Numbers:

WITDRHPS  
Polished Finish

WITDRHSN  
Satin Finish



### Features:

- Fully HeliArc® welded Structural Stainless Steel sculpted for Beauty, Function & Durability
- No Lines for Dirt to Collect - Maintenance Free
- Hand Polished Stainless Steel

#### MECHANICAL DATA

**Length:** 2.7" (69mm)  
**Depth:** 2.5" (64mm)  
**Height:** 2.25" (57mm)  
**Tube Diameter:** 0.625" (16mm)

#### COMPOSITION

18-8 (304) Stainless Steel

#### INSTALLATION

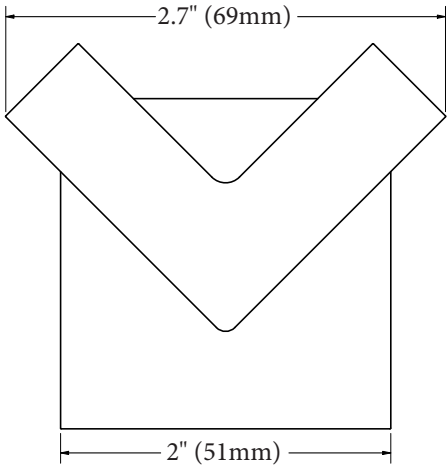
Includes Stainless Steel Screws to Install into **Adequate Structural Blocking**.  
 Includes 3M® VHB Waterproof Tape.  
 Can Be Installed with WINGITS® Fasteners when blocking is not available.

#### RECOMMENDED INTEGRATION

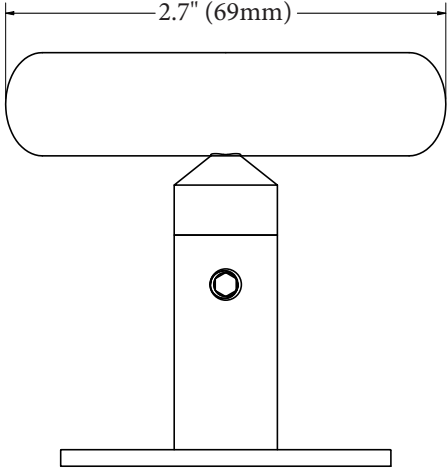
**PROPER INSTALLATION REQUIRES** use of 3M® VHB Waterproof Tape to stop rotation and **MUST** be installed into **Adequate Structural Blocking** or with optional WINGITS® Fasteners.

WINGITS® INFINITE™ design is available in all Bath Accessories.

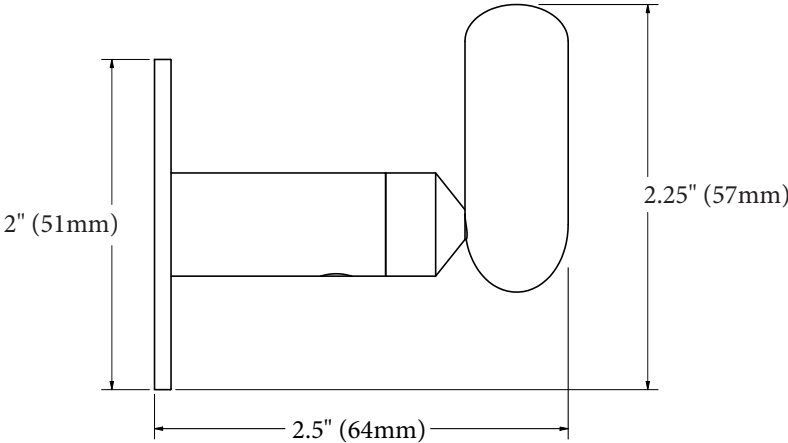
Front



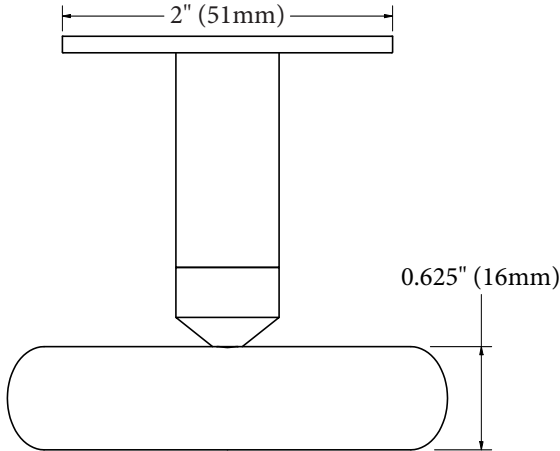
Bottom



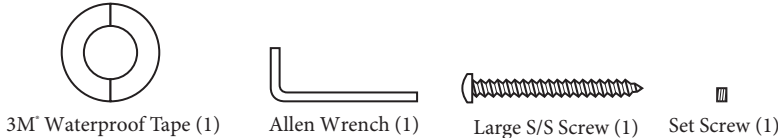
Side



Top



Included Hardware



Optional Hardware  
(Sold Separately)

