

# WINGITS®

## INFINITE Transitional™

### GRAND Single Robe Hook with Mitered Edge

Model:

# WITGSRH

Part Numbers:

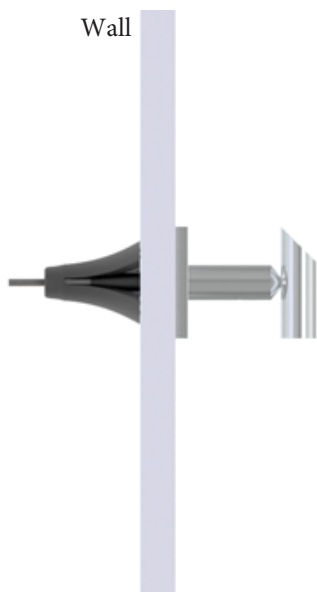
WITGSRHPSM1  
Polished Finish

WITGSRHSNM1  
Satin Finish



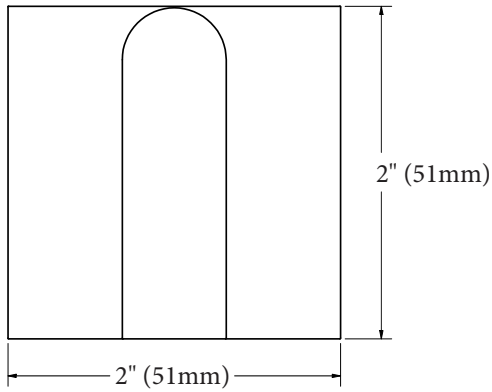
**Features:**

- Modern design combined with **PATENTED** BridgeBind™ Manufacturing creates the ultimate in bath accessories
- No Lines for Dirt to Collect - Maintenance Free
- Hand Polished Stainless Steel

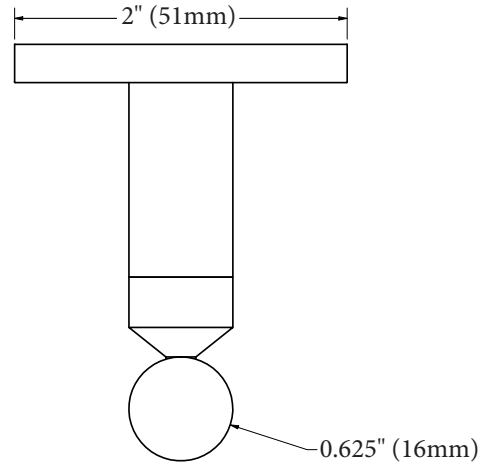


<b>MECHANICAL DATA</b>
Length: 2" (51mm) Height: 2" (51mm) Depth: 2.5" (64mm)
<b>COMPOSITION</b>
18-8 (304) Stainless Steel
<b>INSTALLATION</b>
Includes Stainless Steel Screws to Install into <b>Adequate Structural Blocking</b> . Includes 3M® VHB Waterproof Tape. Can Be Installed with WINGITS® Fasteners when blocking is not available.
<b>RECOMMENDED INTEGRATION</b>
<b>PROPER INSTALLATION REQUIRES</b> use of 3M® VHB Waterproof Tape to stop rotation and <b>MUST</b> be installed into <b>Adequate Structural Blocking</b> or with optional WINGITS® Fasteners. WINGITS® INFINITE™ design is available in all Bath Accessories.

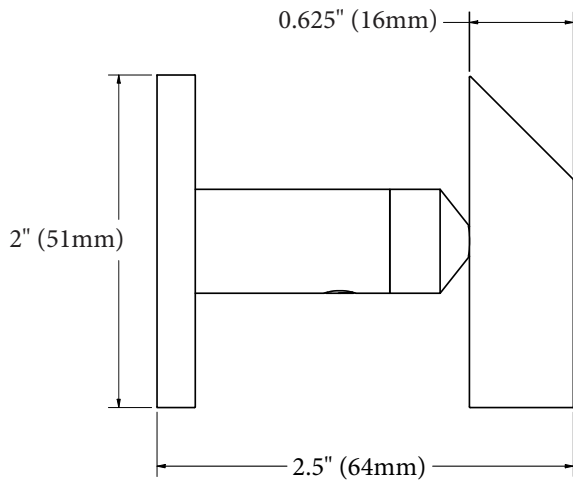
**Front**



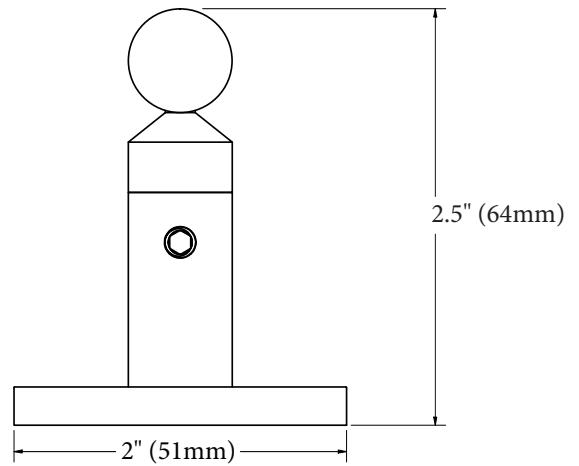
**Top**



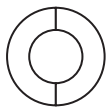
**Side**



**Bottom**



**Included Hardware**



3M<sup>®</sup> Waterproof Tape (1)



Allen Wrench (1)

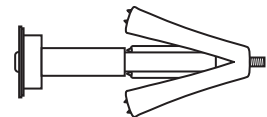


Large S/S Screw (1)



Set Screw (1)

**Optional Hardware  
(Sold Separately)**



WINGITS<sup>®</sup> MASTER Anchor™ (MAW35)  
(1)