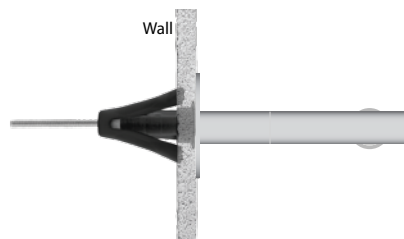
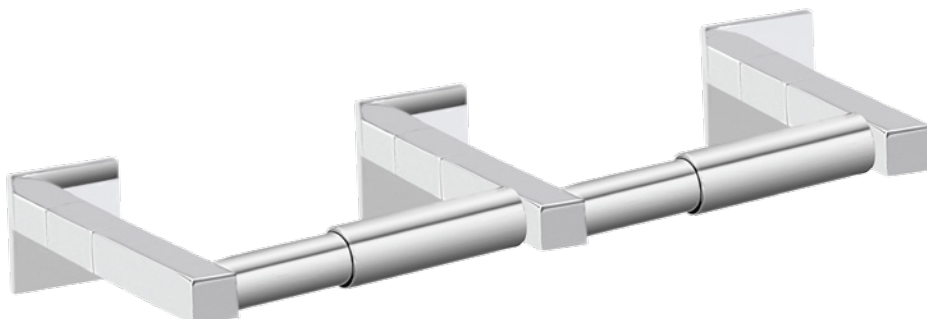


# WINGITS® INFINITE Squared™

## Square Flange Double Toilet Paper Holder

**Model:**  
**WITSDQTPH**

**Part Numbers:**  
**WITSDQTPHPS** Polished Finish  
**WITSDQTPHSN** Satin Finish



Contemporary design combines with a fully HeliArc welded construction, resulting in a Toilet Paper Holder with:

- Structural Stainless Steel
- Beauty-Functionality-Durability
- No lines for dirt to collect - maintenance free
- Unparalleled strength

*PATENTED*  
**BridgeBind™ Technology**

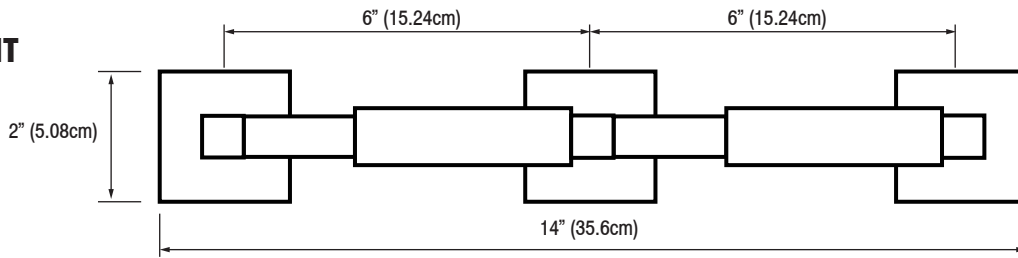


BridgeBind™ technology is the result of drilling a hole completely through stainless steel rod - inserting a solid stainless steel pin and HeliArc welding the pin to the far point of the tube - solidifying the pin and tube into one piece - CREATING THE ULTIMATE STRUCTURAL BOND.

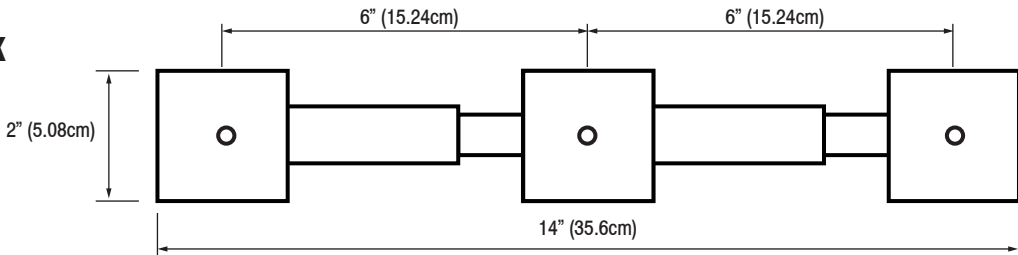
<b>MECHANICAL DATA</b>
<b>Height:</b> 2" (5.08cm) <b>Length:</b> 14" (35.6cm) <b>Projection:</b> 3.625" (9.2cm)
<b>PRODUCT COMPOSITION</b>
Product consists of 18/8 (304) Stainless Steel stand-offs with polished plastic spring loaded retractable tubing.
<b>MODALITY</b>
<b>Use:</b> Wall Installation.
<b>INSTALLATION</b>
<b>WingIts®</b> INFINITE Squared™ Toilet Paper Holders are designed to be <b>installed into adequate structural blocking</b> or with <b>WingIts®</b> MASTER Anchor™ Fasteners for INFINITE Squared™ Bath Accessories (MAW35).
<b>RECOMMENDED INTEGRATION</b>
For the strongest possible installation, it is recommended that <b>WingIts®</b> MASTER Anchor™ for INFINITE Squared™ Bath Accessories (MAW35) is used with this product.

# WINGITS®

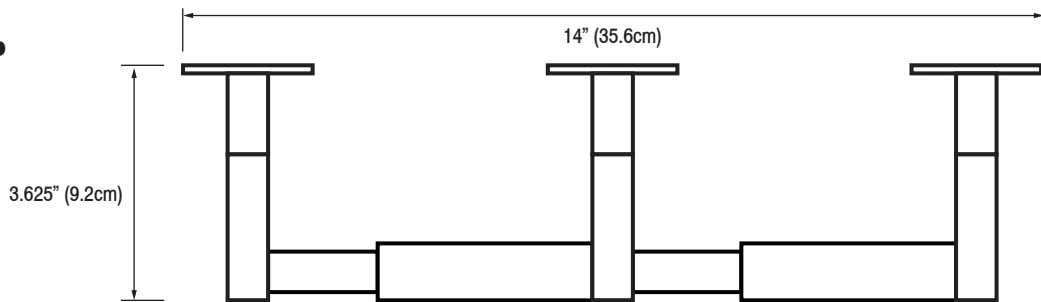
**FRONT**



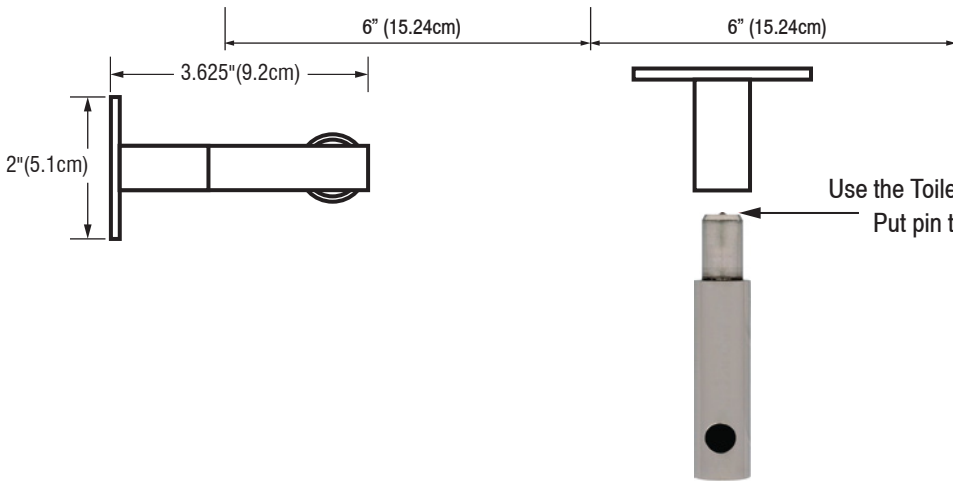
**BACK**



**TOP**



**SIDE**



**INCLUDED HARDWARE**



**OPTIONAL HARDWARE**  
(Sold Separately)

