

# WINGITS®

# INFINITE Squared™

## Stainless Steel Towel Ring

Model:

# WITSQTRING

Part Numbers:

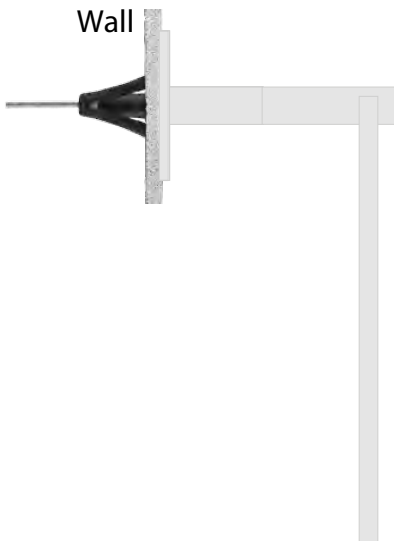
WITSQTRINGPS  
Polished Finish

WITSQTRINGSN  
Satin Finish



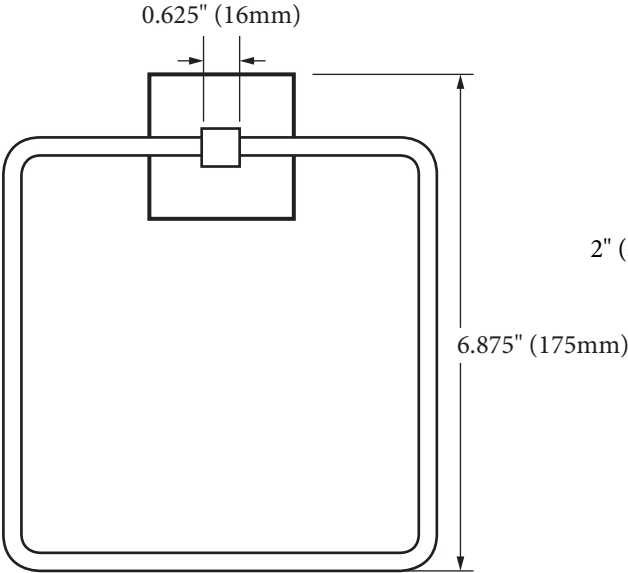
**Features:**

- Hand Polished Stainless Steel
- Beauty, Functionality & Durability
- No Lines for Dirt to Collect - Maintenance Free

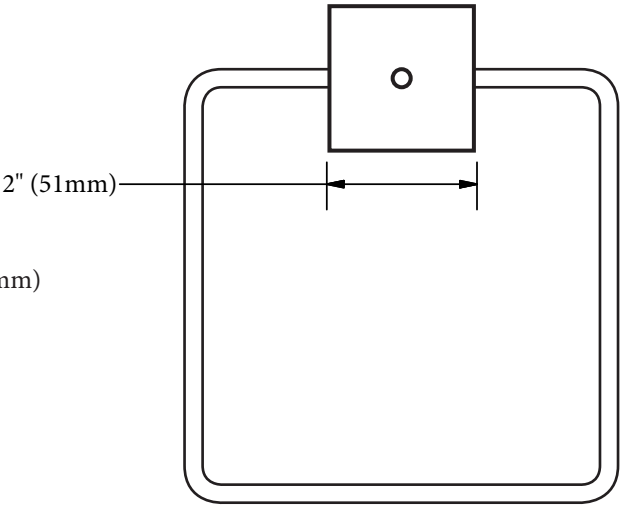


<b>MECHANICAL DATA</b>
Height: 6.875" (175mm)
Depth: 3.6" (92mm)
Ring Height: 6" (152mm)
<b>COMPOSITION</b>
18-8 (304) Stainless Steel
<b>INSTALLATION</b>
Includes Stainless Steel Screw to Install into <b>Adequate Structural Blocking</b> . Includes 3M® VHB Waterproof Tape. Can Be Installed with WINGITS® Fasteners when blocking is not available.
<b>RECOMMENDED INTEGRATION</b>
<b>PROPER INSTALLATION REQUIRES</b> use of 3M® VHB Waterproof Tape to stop rotation and <b>MUST</b> be installed into <b>Adequate Structural Blocking</b> or with optional WINGITS® Fasteners. WINGITS® INFINITE™ design is available in all Bath Accessories.

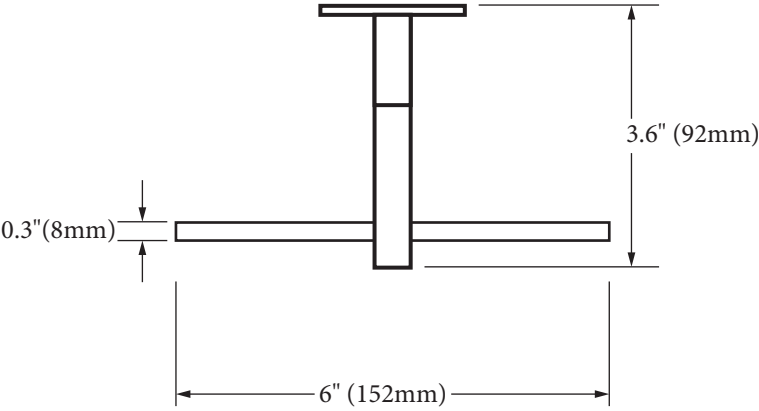
**FRONT**



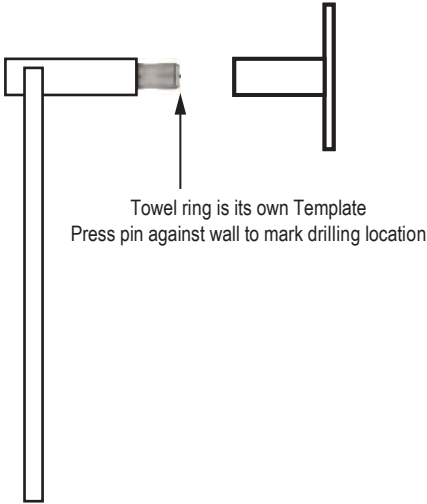
**BACK**



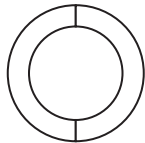
**TOP**



**SIDE**



**Included Hardware**



3M<sup>®</sup> Waterproof Tape (1)



Large S/S Screw (1)

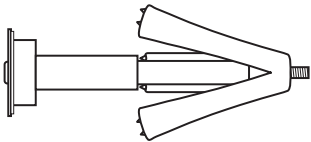


Allen Wrench (1)



Set Screw (1)

**Optional Hardware  
(Sold Separately)**



WINGITS<sup>®</sup> MASTER Anchor (MAW35)  
(1)