

# WINGITS® INFINITE Squared™

## Square Flange Vertical Toilet Paper Holder

**Model:**  
**WITSQVTPH**

**Part Numbers:**  
**WITSQVTPHPS**      **WITSQVTPHSN**  
 Polished Finish      Satin Finish

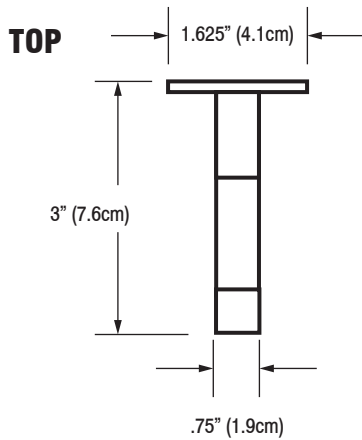
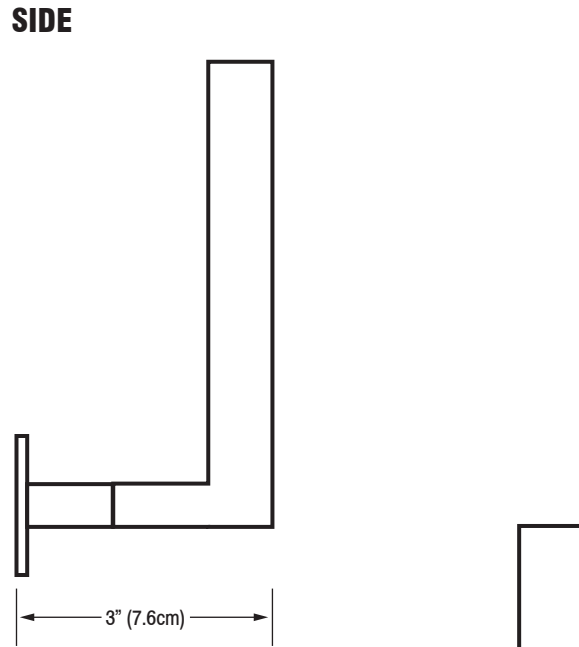
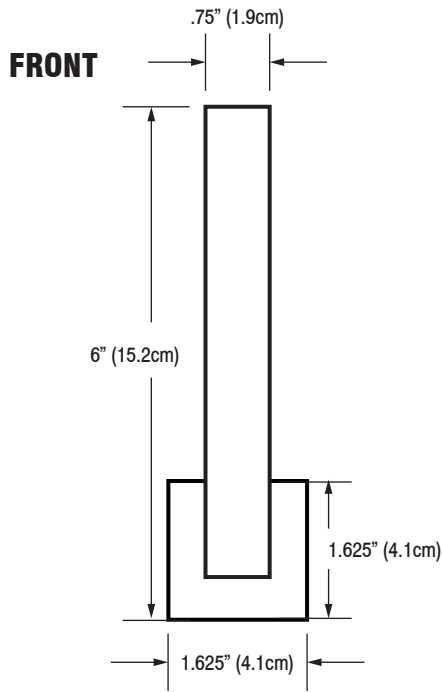


Contemporary design combines with a fully HeliArc welded construction, resulting in a Vertical Toilet Paper Holder with:

- Structural Stainless Steel
- Beauty-Functionality-Durability
- No lines for dirt to collect - maintenance free
- Unparalleled strength

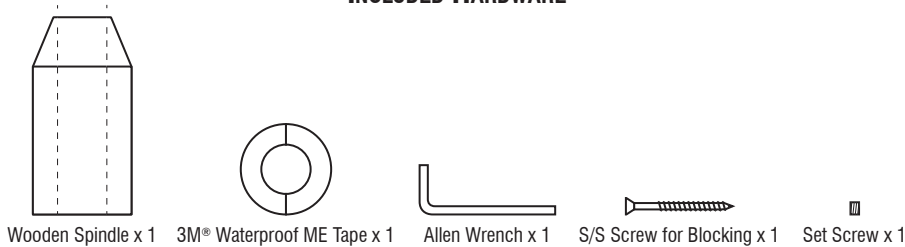
<b>MECHANICAL DATA</b>
<p><b>Height:</b> 6" (15.2cm)  <b>Length:</b> 1.625" (4.1cm)  <b>Projection:</b> 3" (7.6cm)</p>
<b>PRODUCT COMPOSITION</b>
<p>Entire product is 18/8 (304) stainless steel. Caps and pin are HeliArc welded to 18 gauge tube.</p>
<b>MODALITY</b>
<p><b>Use:</b> Should be used in a vertical position.</p>
<b>INSTALLATION</b>
<p><b>WingIts® INFINITE Squared™</b> Vertical Toilet Paper Holders are designed to be <b>installed into adequate structural blocking</b> or with <b>WingIts® MASTER Anchor™</b> Fasteners for INFINITE Squared™ Bath Accessories (MAW35).</p>
<b>RECOMMENDED INTEGRATION</b>
<p>For hollow wall construction, it is recommended that <b>WingIts® MASTER Anchor™</b> Fasteners (MAW35) are used with this product. See Fastener instructions for applications.</p>

# WINGITS®



Use the Toilet Paper Holder as its own template.  
Put pin to wall to mark drilling location.

**INCLUDED HARDWARE**



**OPTIONAL HARDWARE**  
(Sold Separately)

