

WINGITS®

INFINITE Transitional™

Solid Stainless Steel Towel Ring

Model:

WITTRINGSR

Part Numbers:

WITTRINGSRPS
Polished Finish

WITTRINGSRSN
Satin Finish



Features:

- Hand Polished Solid Stainless Steel
- Beauty, Functionality & Durability
- No Lines for Dirt to Collect - Maintenance Free



MECHANICAL DATA

Height: 6.875" (175mm)

Depth: 3.625" (92mm)

Ring Length: 6" (152mm)

COMPOSITION

18-8 (304) Stainless Steel

INSTALLATION

Includes Stainless Steel Screw to Install into **Adequate Structural Blocking**.

Includes 3M® VHB Waterproof Tape.

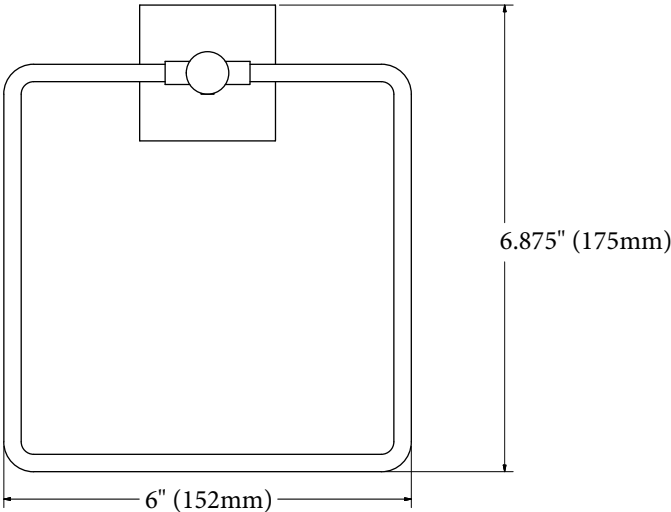
Can Be Installed with WINGITS® Fasteners when blocking is not available.

RECOMMENDED INTEGRATION

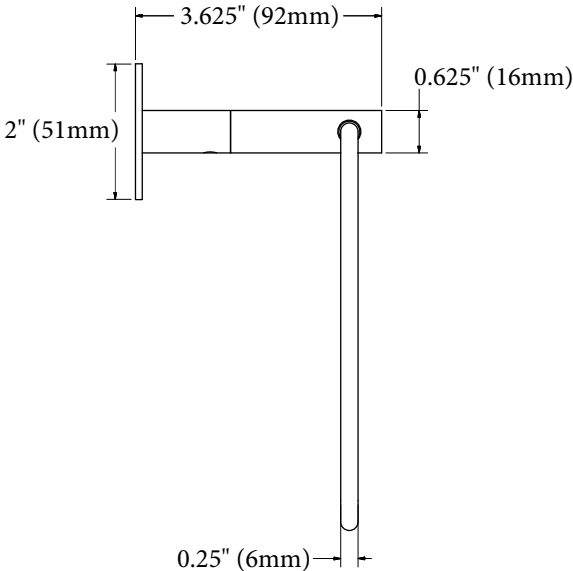
PROPER INSTALLATION REQUIRES use of 3M® VHB Waterproof Tape to stop rotation and **MUST** be installed into **Adequate Structural Blocking** or with optional WINGITS® Fasteners.

WINGITS® INFINITE™ design is available in all Bath Accessories.

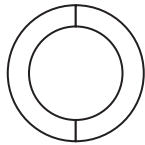

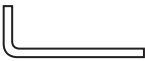

Front



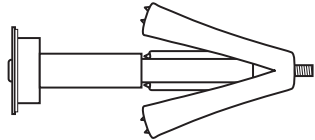
Side



Included Hardware

-  3M[®] Waterproof Tape (1)
-  Large S/S Screw (1)
-  Allen Wrench (1)
-  Set Screw (1)

**Optional Hardware
(Sold Separately)**

-  WINGITS[®] MASTER Anchor (MAW35)
(1)