

WINGITS®

LINEAR Transitional™

Single Robe Hook

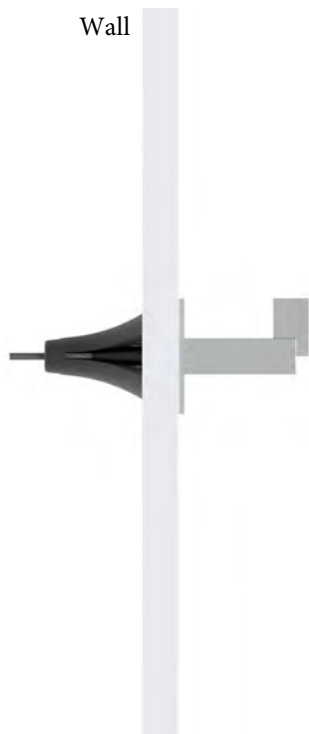
Model:

WLTSRH

Part Numbers:

WLTSRHPS
Polished Finish

WLTSRHSN
Satin Finish

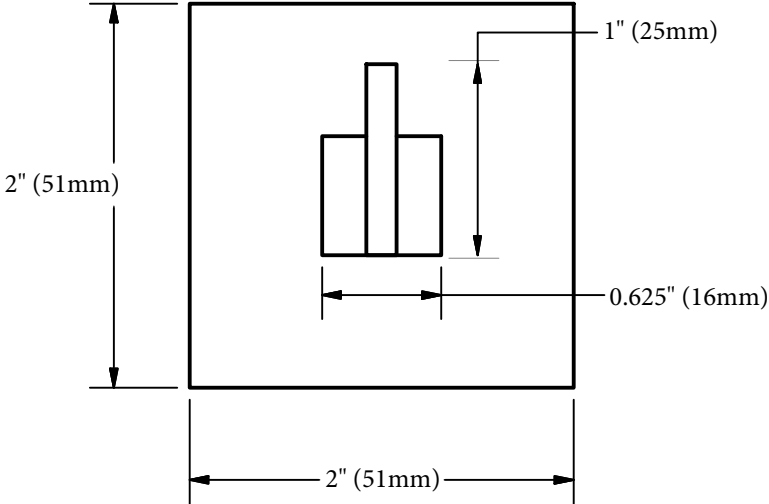


Features:

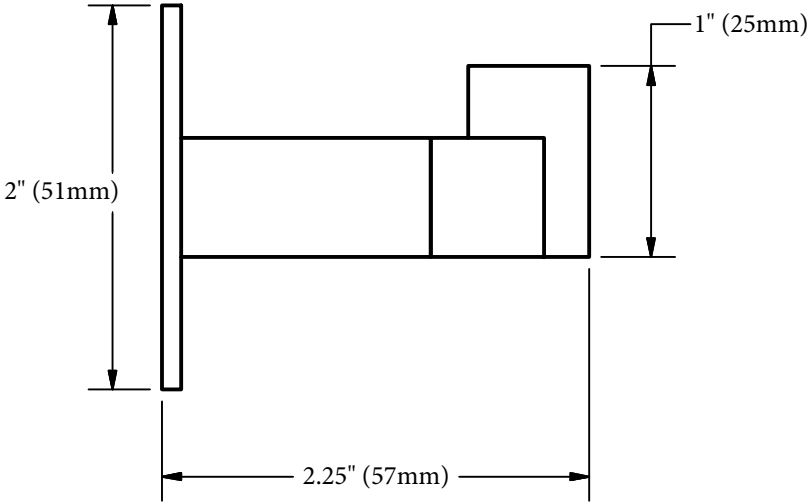
- Stainless Steel Carved, Welded & Polished
- Structured Single Robe Hook
- LINEAR Design - Ultimate Durability & Low Maintenance

MECHANICAL DATA
Length: 2" (51mm) Height: 2" (51mm) Depth: 2.25" (57mm)
COMPOSITION
18-8 (304) Stainless Steel
INSTALLATION
Includes Stainless Steel Screws to Install into Adequate Structural Blocking . Includes 3M® VHB Waterproof Tape. Can Be Installed with WINGITS® Fasteners when blocking is not available.
RECOMMENDED INTEGRATION
PROPER INSTALLATION REQUIRES use of 3M® VHB Waterproof Tape to stop rotation and MUST be installed into Adequate Structural Blocking or with optional WINGITS® Fasteners. WINGITS® LINEAR™ design is available in all Bath Accessories.

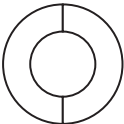

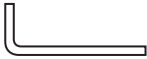

Front



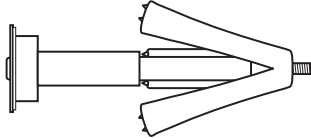
Side



Included Hardware

-  3M[®] Waterproof Tape (1)
-  2.5" S/S Screw (1)
-  Allen Wrench (1)
-  Set Screw (1)

**Optional Hardware
(Sold Separately)**

-  WINGITS[®] MASTER Anchor (MAW35)
(1)