

WINGITS®

BOLD Elegance™

Toilet Paper Holder

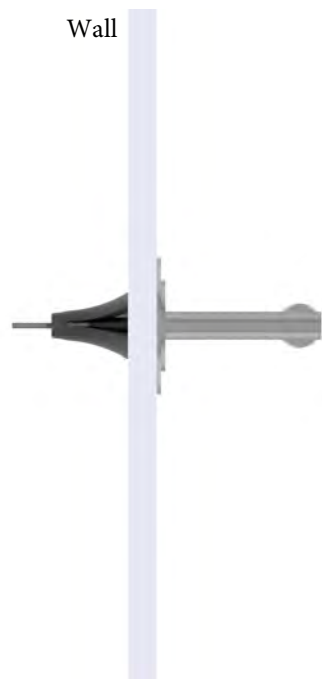
Model:

WMEBTPH

Part Numbers:

WMEBTPHPS
Polished Finish

WMEBTPHSN
Satin Finish



Features:

- Modern design combined with **PATENTED** BridgeBind™ Manufacturing creates the ultimate in bath accessories
- No Lines for Dirt to Collect - Maintenance Free
- Hand Polished Stainless Steel
- New Dual-Step Design Brings **Boldness** and Adds Class to Any Setting

MECHANICAL DATA

Length: 8.5" (216mm)

Diameter: 3" (76mm)

Depth: 3.625" (92mm)

COMPOSITION

18-8 (304) Stainless Steel

INSTALLATION

Includes Stainless Steel Screws to Install into **Adequate Structural Blocking**.

Includes 3M® VHB Waterproof Tape.

Can Be Installed with WINGITS® Fasteners when blocking is not available.

RECOMMENDED INTEGRATION

PROPER INSTALLATION REQUIRES use of 3M® VHB Waterproof Tape to stop rotation and **MUST** be installed into **Adequate Structural Blocking** or with optional WINGITS® Fasteners.

WINGITS® BOLD™ design is available in all Bath Accessories.

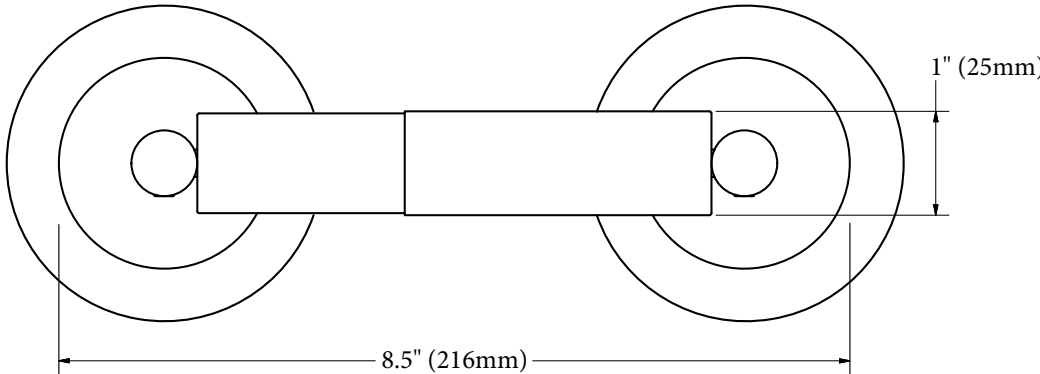
PATENTED

BridgeBind™ Technology

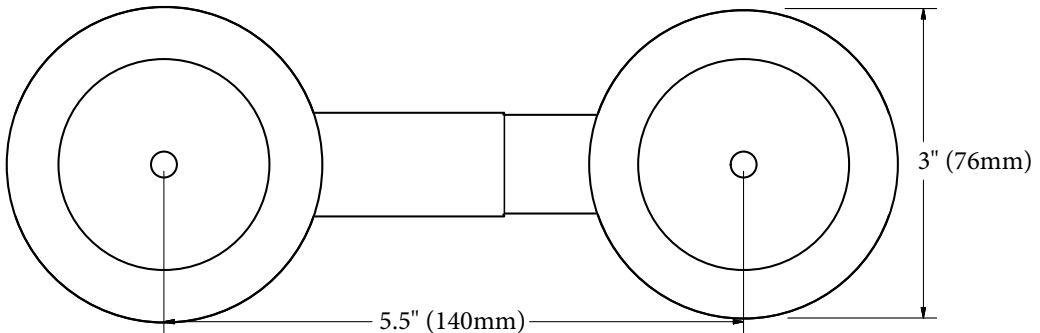


A steel dowel is expertly embedded in a stainless steel tube then arc welded to the tube's far side for the perfect structural synthesis

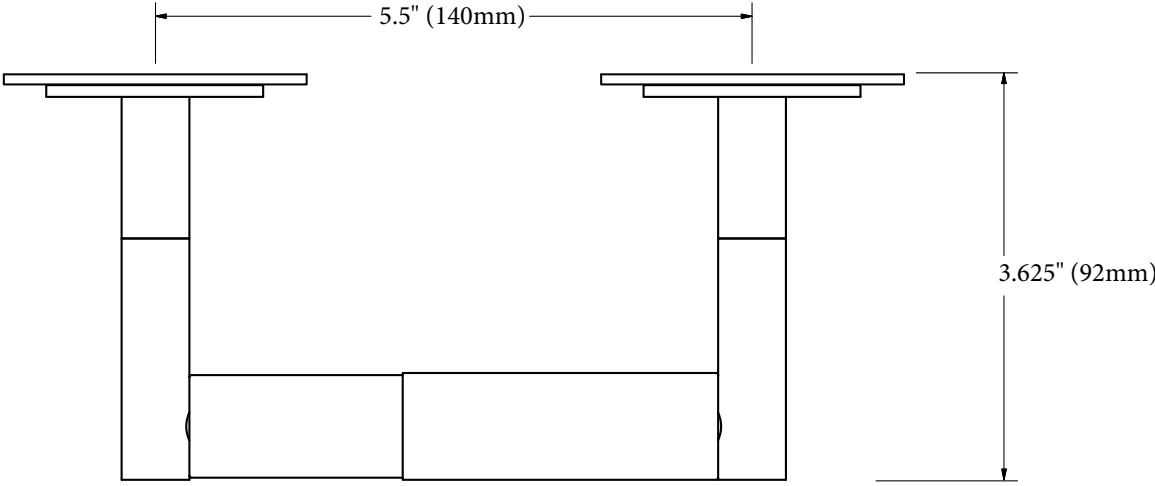
Front



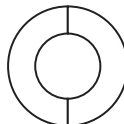



Back



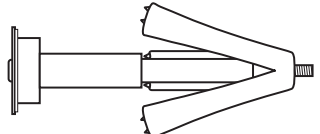
Top



Included Hardware

-  3M[®] Waterproof Tape (2)
-  2.5" S/S Screw (2)
-  Allen Wrench (1)
-  Set Screw (2)

Optional Hardware
(Sold Separately)

-  WINGITS[®] MASTER Anchor (MAW35)
(2)