

# WINGITS®

## BOLD Elegance™

### Stainless Steel Towel Ring

Model:

## WMEBTRING

Part Numbers:

WMEBTRINGPS  
Polished Finish

WMEBTRINGSN  
Satin Finish



Features:

- Hand Polished Solid Stainless Steel
- Beauty, Functionality & Durability
- New Dual-Step Design Brings **Boldness** and Adds Class to Any Setting

**MECHANICAL DATA**

Length/Height: 6.5" (165mm)  
Depth: 3" (76mm)  
Tube Diameter: 0.875" (22mm)

**COMPOSITION**

18-8 (304) Stainless Steel

**INSTALLATION**

Includes Stainless Steel Screws to Install into **Adequate Structural Blocking**.  
Includes 3M® VHB Waterproof Tape.  
Can Be Installed with WINGITS® Fasteners when blocking is not available.

**RECOMMENDED INTEGRATION**

**PROPER INSTALLATION REQUIRES** use of 3M® VHB Waterproof Tape to stop rotation and **MUST** be installed into **Adequate Structural Blocking** or with optional WINGITS® Fasteners.

WINGITS® BOLD™ design is available in all Bath Accessories.

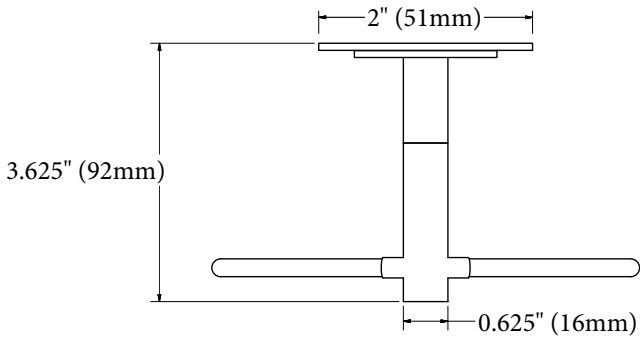
PATENTED

### BridgeBind™ Technology

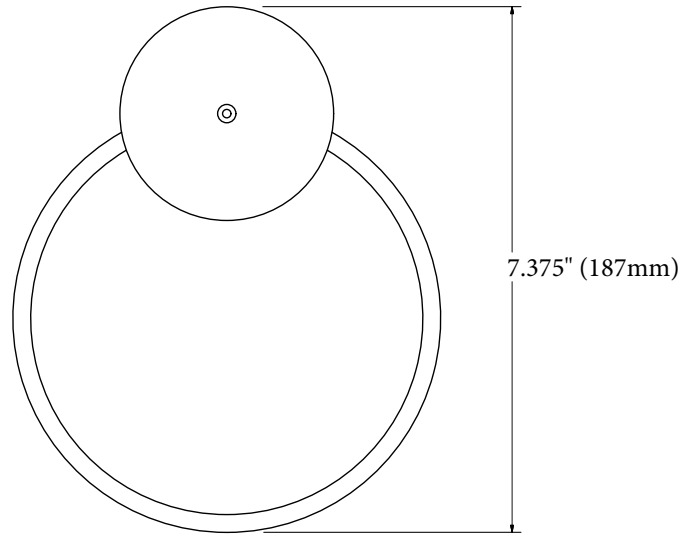


A steel dowel is expertly embedded in a stainless steel tube then arc welded to the tube's far side for the perfect structural synthesis

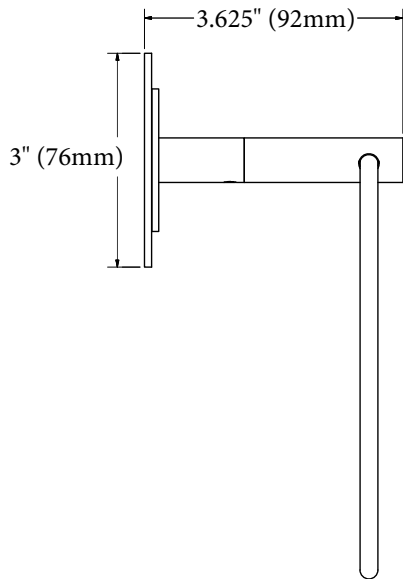
**Top**



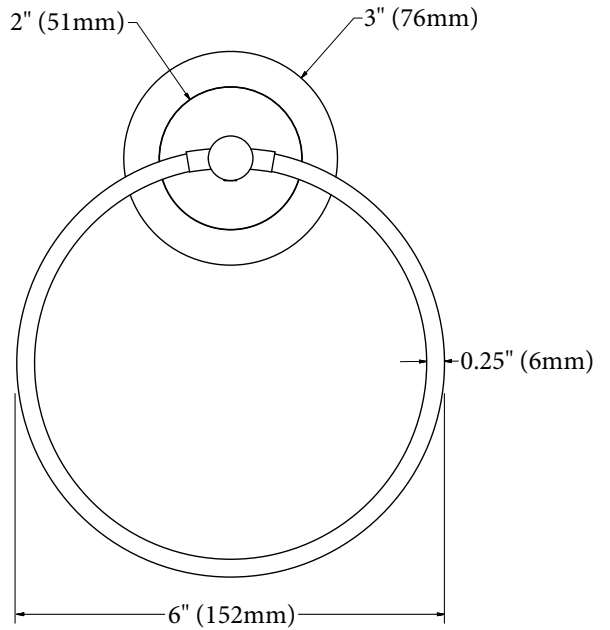
**Back**



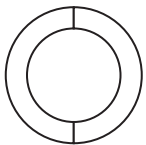
**Side**



**Front**



**Included Hardware**



3M<sup>®</sup> Waterproof Tape (1)



Large S/S Screw (1)

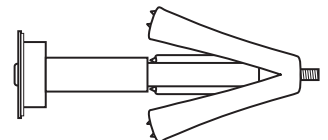


Allen Wrench (1)



Set Screw (1)

**Optional Hardware  
(Sold Separately)**



WINGITS<sup>®</sup> MASTER Anchor (MAW35)  
(1)