

WINGITS®

MODERN Elegance™

Stainless Steel Euro Toilet Paper Holder with Hood

Model:
WMEEUTPHWH

Part Numbers:
WMEEUTPHWHPS Polished Finish
WMEEUTPHWHSN Satin Finish



Contemporary design combines with **PATENTED** BridgeBind™ Technology resulting in a Grab Bar with:

- Solid Stainless Steel Ring
- Beauty-Functionality-Durability
- No lines for dirt to collect - maintenance free
- Unparalleled strength

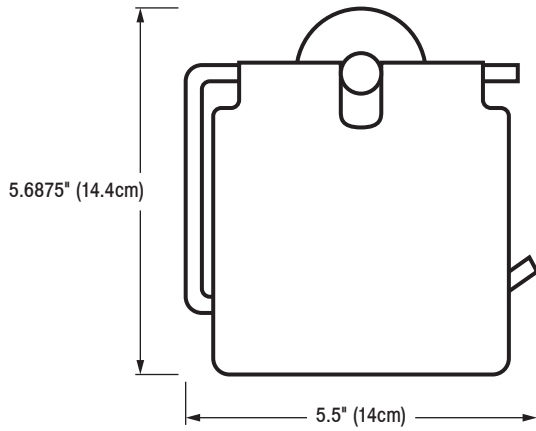
BridgeBind™ Technology is the result of drilling a hole completely through stainless steel tubing, inserting a solid stainless steel pin, and HeliArc welding the pin to the far point of the tube; solidifying the pin and tube into one piece. Creating the ultimate structural bond.

MECHANICAL DATA
<p>Height: 5.6875" (14.4cm) Width: 5.5" (14cm) Depth: 3.8125" (9.7cm)</p>
PRODUCT COMPOSITION
<p>Entire product is 18/8 (304) stainless steel. Stainless steel wire with solid stainless steel stand-offs.</p>
MODALITY
<p>Use: Wall Installation.</p>
INSTALLATION
<p>WingIts® MODERN Elegance™ Stainless Steel Euro Toilet Paper Holders are designed to be installed into adequate structural blocking.</p>
RECOMMENDED INTEGRATION
<p>For the strongest possible installation, it is recommended that WingIts® Master Anchor for MODERN Elegance™ Bath Accessories (MAWME35) is used with this product.</p>

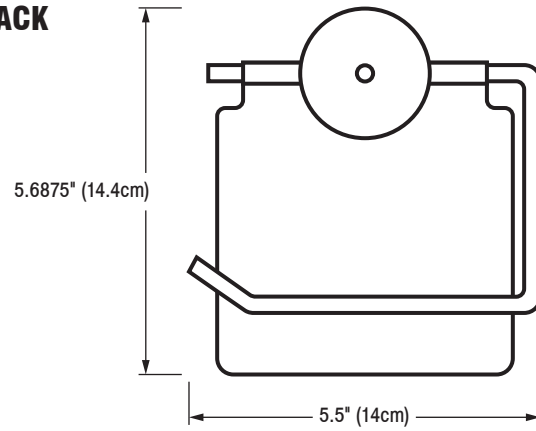
20140819_rev2

WINGITS®

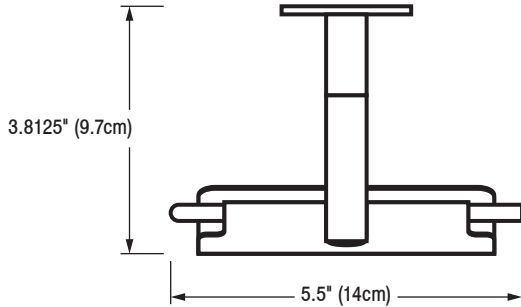
FRONT



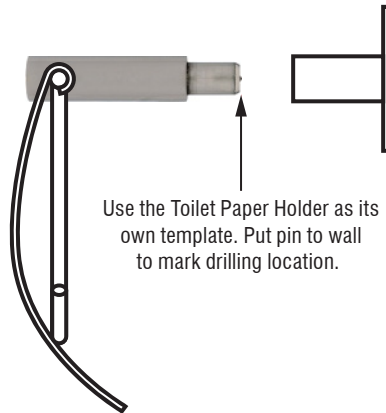
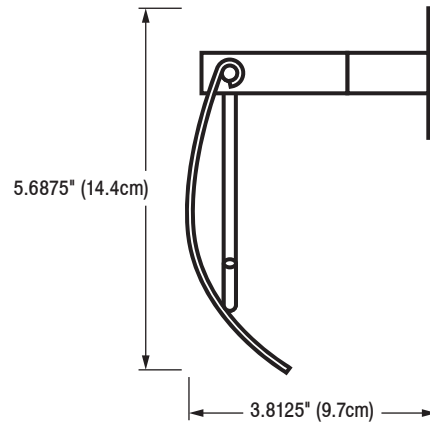
BACK



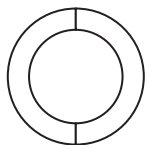
TOP



SIDE



INCLUDED HARDWARE



3M® Waterproof ME Tape x 1



S/S Screw for Blocking x 1



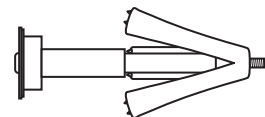
Allen Wrench x 1



Set Screw x 1

OPTIONAL HARDWARE

(Sold Separately)



Wingits® Master Anchor for MODERN Elegance™ Bath Accessories (MAWME35) x 1