

# WINGITS® MODERN Elegance™

## Stainless Steel Euro Toilet Paper Holder

**Model:**  
**WMEEUTPH**

**Part Numbers:**  
**WMEEUTPHPS** Polished Finish  
**WMEEUTPHSN** Satin Finish



Contemporary design combines with **PATENTED** BridgeBind™ Technology resulting in a Grab Bar with:

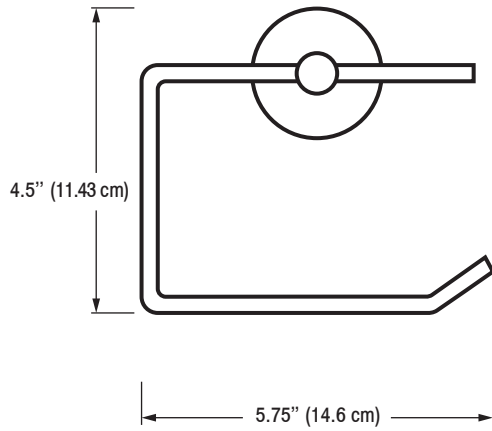
- Solid Stainless Steel Ring
- Beauty-Functionality-Durability
- No lines for dirt to collect - maintenance free
- Unparalleled strength

BridgeBind™ Technology is the result of drilling a hole completely through stainless steel tubing, inserting a solid stainless steel pin, and HeliArc welding the pin to the far point of the tube; solidifying the pin and tube into one piece. Creating the ultimate structural bond.

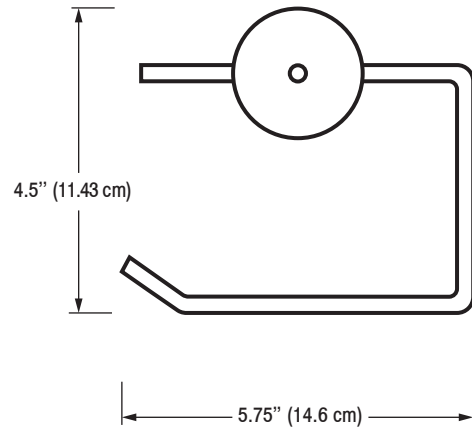
<b>MECHANICAL DATA</b>
<p><b>Height:</b> 4.5" (11.43cm)  <b>Width:</b> 5.75" (14.6 cm)  <b>Projection:</b> 3.8125" (9.7cm)</p>
<b>PRODUCT COMPOSITION</b>
<p>Entire product is 18/8 (304) stainless steel. Stainless steel wire with solid stainless steel stand-offs.</p>
<b>MODALITY</b>
<p><b>Use:</b> Wall Installation.</p>
<b>INSTALLATION</b>
<p><b>WingIts® MODERN Elegance™</b> Stainless Steel Euro Toilet Paper Holders are designed to be <b>installed into adequate structural blocking.</b></p>
<b>RECOMMENDED INTEGRATION</b>
<p>For the strongest possible installation, it is recommended that <b>WingIts®</b> Master Anchor for MODERN Elegance™ Bath Accessories (MAWME35) is used with this product.</p>

# WINGITS®

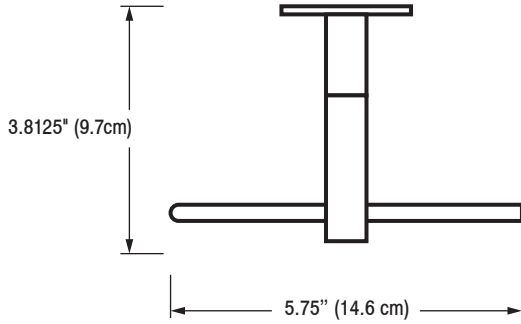
**FRONT**



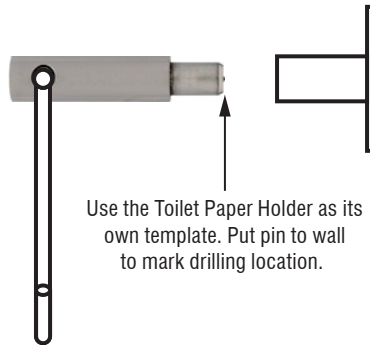
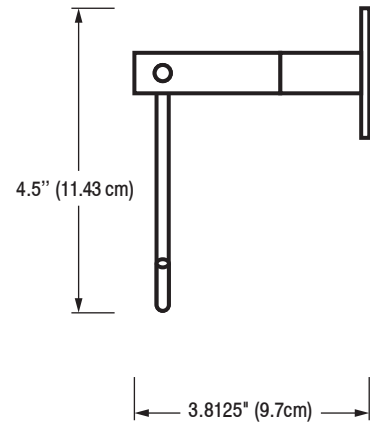
**BACK**



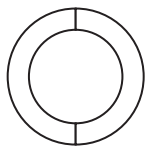
**TOP**



**SIDE**



**INCLUDED HARDWARE**



3M® Waterproof ME Tape x 1



S/S Screw for Blocking x 1



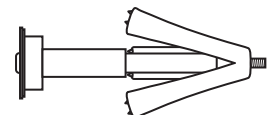
Allen Wrench x 1



Set Screw x 1

**OPTIONAL HARDWARE**

(Sold Separately)



Wingits® Master Anchor for MODERN Elegance™  
Bath Accessories (MAWME35) x 1