

# WINGITS®

## MODERN Elegance™

### GRAND Double Robe Hook

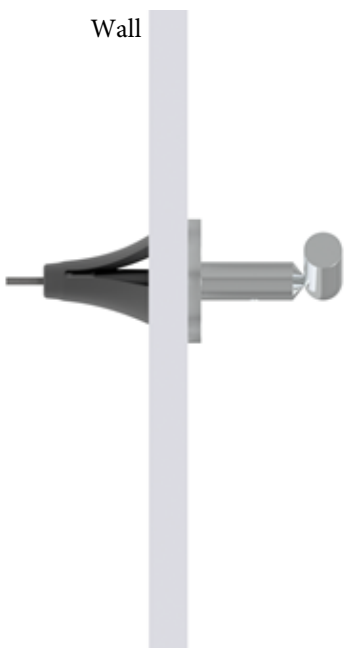
Model:

# WMEGDRH

Part Numbers:

**WMEGDRHPS**  
Polished Finish

**WMEGDRHSN**  
Satin Finish



**Features:**

- Modern design combined with **PATENTED BridgeBind™** Manufacturing creates the ultimate in bath accessories
- No Lines for Dirt to Collect - Maintenance Free
- Hand Polished Stainless Steel

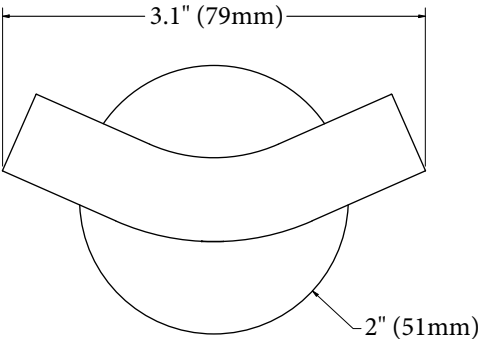
<b>MECHANICAL DATA</b>
<b>Length:</b> 3.1" (79mm)
<b>Depth:</b> 2.5" (64mm)
<b>Height:</b> 2" (51mm)
<b>Tube Diameter:</b> 0.625" (16mm)
<b>COMPOSITION</b>
18-8 (304) Stainless Steel
<b>INSTALLATION</b>
Includes Stainless Steel Screw to Install into <b>Adequate Structural Blocking</b> . Includes 3M® VHB Waterproof Tape. Can Be Installed with WINGITS® Fasteners when blocking is not available.
<b>RECOMMENDED INTEGRATION</b>
<b>PROPER INSTALLATION REQUIRES</b> use of 3M® VHB Waterproof Tape to stop rotation and <b>MUST</b> be installed into <b>Adequate Structural Blocking</b> or with optional WINGITS® Fasteners. WINGITS® MODERN™ design is available in all Bath Accessories.

*PATENTED*  
**BridgeBind™ Technology**

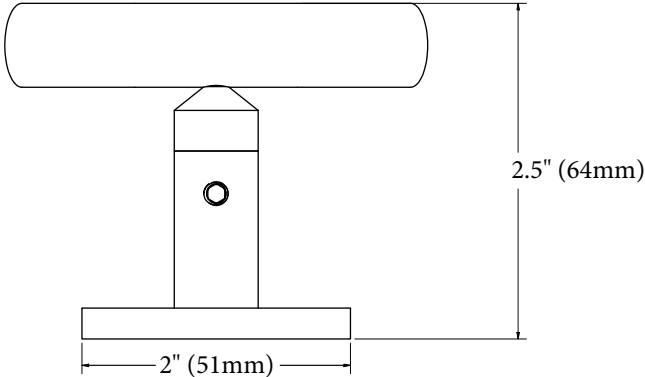


A steel dowel is expertly embedded in a stainless steel tube then arc welded to the tube's far side for the perfect structural synthesis

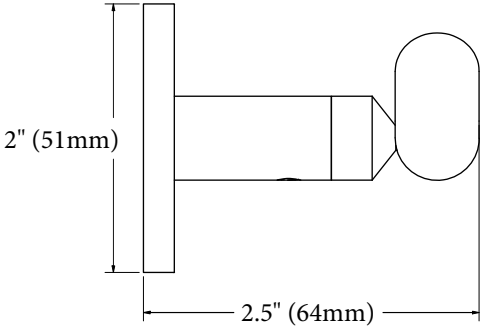
**Front**



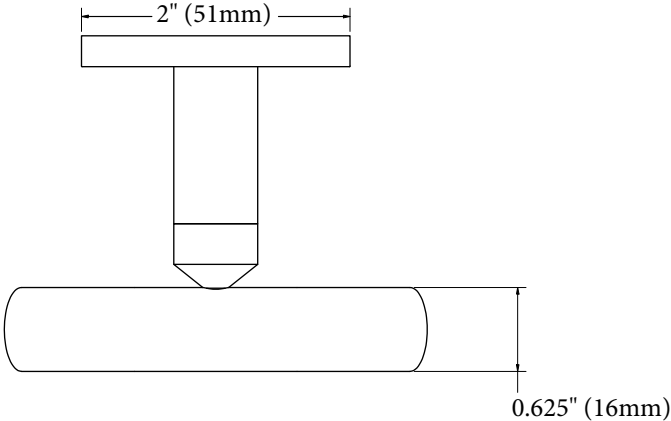
**Bottom**



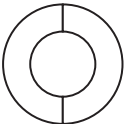

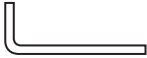

**Side**



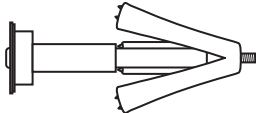
**Top**



**Included Hardware**

-  3M<sup>®</sup> Waterproof Tape (1)
-  2.5" S/S Screw (1)
-  Allen Wrench (1)
-  Set Screw (1)

**Optional Hardware  
(Sold Separately)**

-  WINGITS<sup>®</sup> MASTER Anchor™ (MAW35)  
(1)