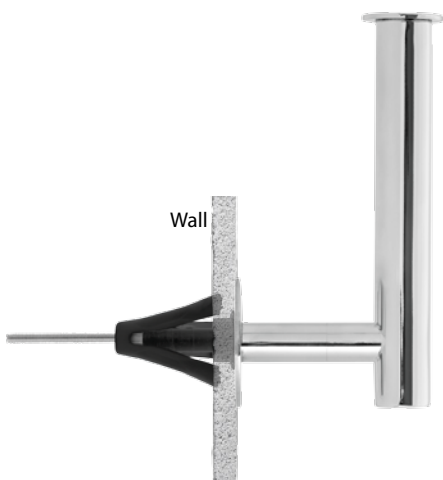


WINGITS® MODERN Elegance™

Horizontal / Vertical Toilet Paper Holder

Model:
WMEHVTPH

Part Numbers:
WMEHVTPHPS Polished Finish
WMEHVTPHSN Satin Finish



PATENTED
BridgeBind™ Technology



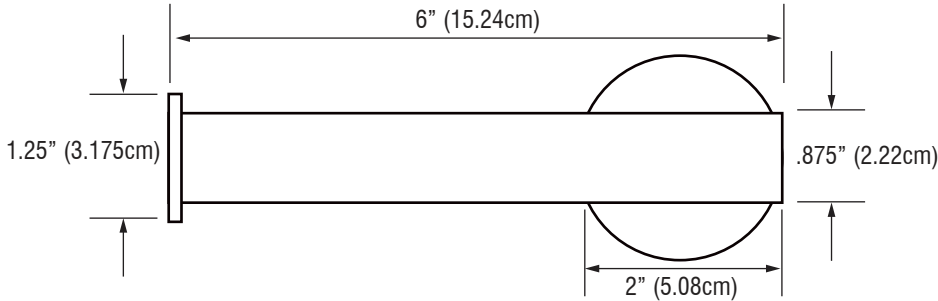
BridgeBind™ technology is the result of drilling a hole completely through stainless steel rod - inserting a solid stainless steel pin and HeliArc welding the pin to the far point of the tube - solidifying the pin and tube into one piece - CREATING THE ULTIMATE STRUCTURAL BOND.

- Made of 18/8 (304) stainless steel
- Patented BridgeBind™ Technology - fully HeliArc welded construction
- Available in high polished or satin finishes - compliments any bathroom style
- Functionality - durability - maintenance free
- Easy installation - guaranteed to NEVER loosen using WingIts® Fasteners (optional)
- Clean flowing lines through minimalist design
- Coordinates with other products in the MODERN Elegance™ collection

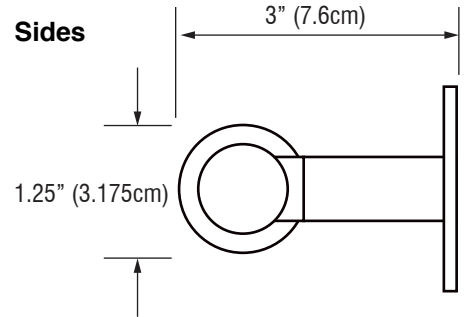
MECHANICAL DATA
Height: 2" (5.08cm)
Length: 6" (15.24cm)
Projection: 3" (7.62cm)
PRODUCT COMPOSITION
Entire product is solid 18/8 (304) HeliArc welded stainless steel, including caps and pin.
MODALITY
Use: Can be used in horizontal or vertical position.
INSTALLATION
WingIts® MODERN Elegance™ Toilet Paper Holders are designed to be installed into adequate structural blocking or with optional WingIts® MASTER Anchor™ Fastener (MAW35) for hollow wall construction.

WINGITS®

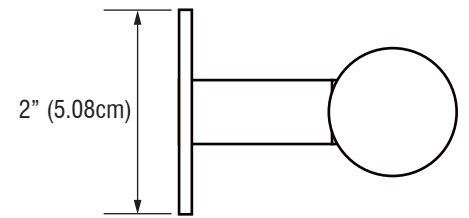
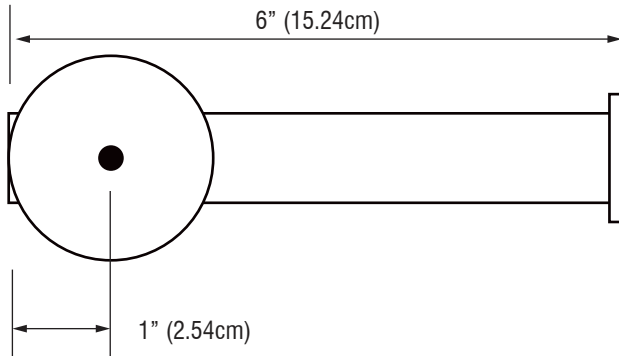
Front



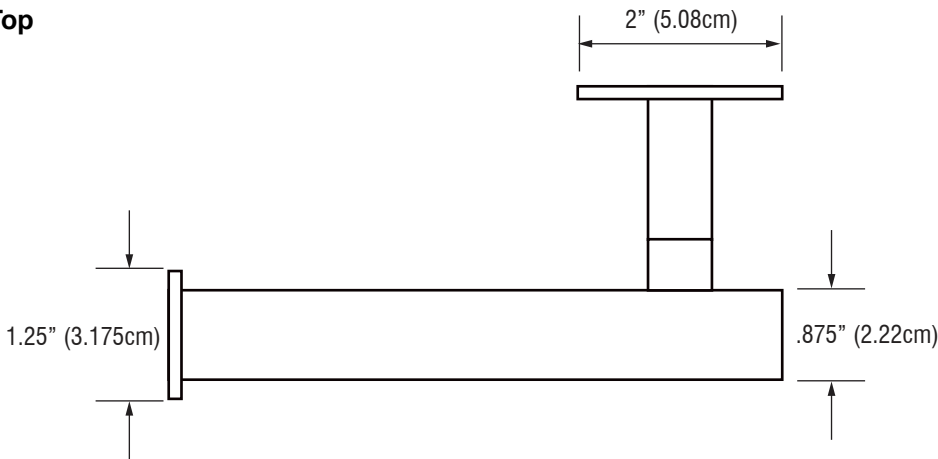
Sides



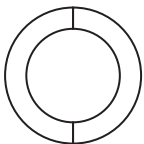
Back



Top



INCLUDED HARDWARE



3M® VHB Waterproof Tape x 1



Large Screw x 1



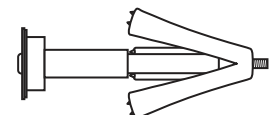
Allen Wrench x 1



Set Screw x 1

OPTIONAL HARDWARE

(Sold Separately)



WINGITS® MASTER Anchor™
(MAW35) x 1