

# WINGITS®

## MODERN Transitional™ Stainless Steel Euro Toilet Paper Holder with Hood

**Model:**  
**WMTEUTPHWH**

**Part Numbers:**  
**WMTEUTPHWHPS** Polished Finish  
**WMTEUTPHWHSN** Satin Finish



Contemporary design combines with **PATENTED** BridgeBind™ Technology resulting in bathroom accessories with:

- Unparalleled strength
- Beauty
- Functionality
- Durability
- Solid Stainless Steel Ring
- No lines for dirt to collect (maintenance free)

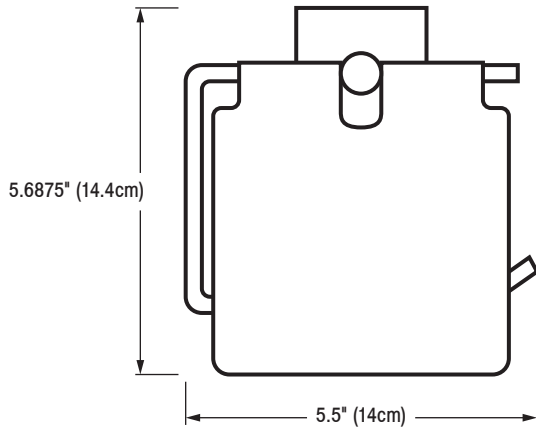
Sculpted from 18/8 Stainless Steel

<b>MECHANICAL DATA</b>
<p><b>Height:</b> 5.6875" (14.4cm)  <b>Length:</b> 5.5" (14cm)  <b>Projection:</b> 3.8125" (9.7cm)</p>
<b>PRODUCT COMPOSITION</b>
<p>Entire product is 18/8 (304) stainless steel. Stainless steel wire with solid stainless steel stand-offs.</p>
<b>MODALITY</b>
<p><b>Use:</b> Wall Installation.</p>
<b>INSTALLATION</b>
<p><b>WingIts®</b> MODERN Transitional™ Stainless Steel Euro Toilet Paper Holders are designed to be <b>installed into adequate structural blocking</b> or with <b>WingIts®</b> MASTER Anchor™ Fasteners for MODERN Transitional™ Bath Accessories (MAWME35).</p>
<b>RECOMMENDED INTEGRATION</b>
<p>For the strongest possible installation, it is recommended that <b>WingIts®</b> MASTER Anchor™ for MODERN Transitional™ Bath Accessories (MAWME35) is used with this product.</p>

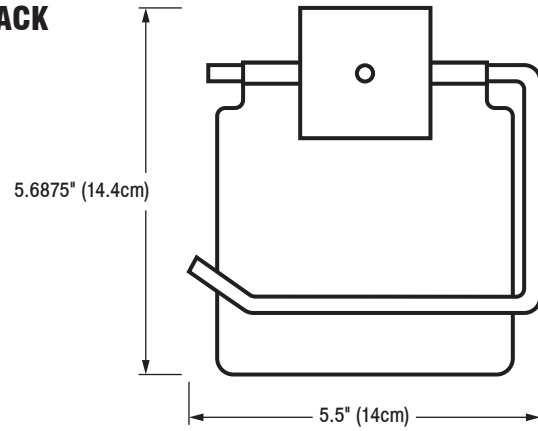
WMTEUTPH(PS)(SN)WH\_SpecSheet\_20141104

# WINGITS®

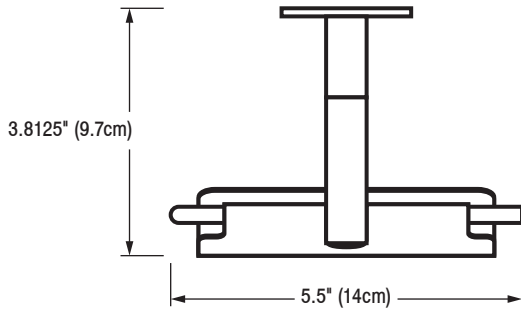
**FRONT**



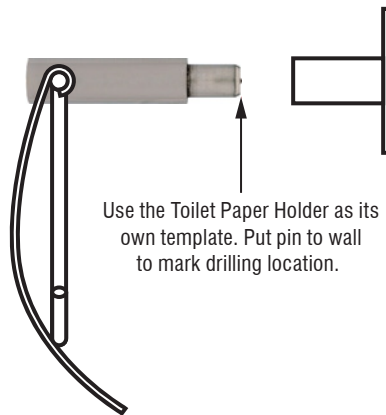
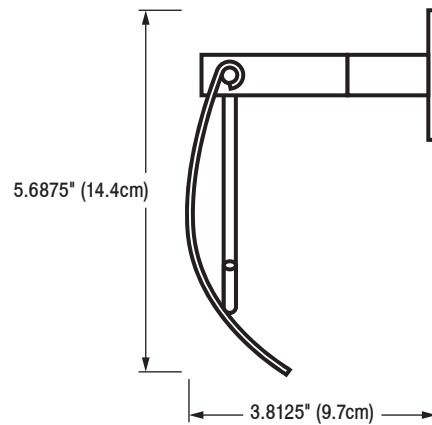
**BACK**



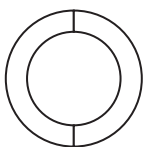
**TOP**



**SIDE**



**INCLUDED HARDWARE**



3M® Waterproof ME Tape x 1



S/S Screw for Blocking x 1



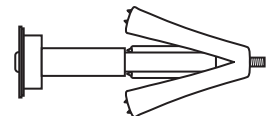
Allen Wrench x 1



Set Screw x 1

**OPTIONAL HARDWARE**

(Sold Separately)



Wingits® MASTER Anchor™ for MODERN Transitional™ Bath Accessories (MAWME35) x 1