

WINGITS®

MODERN Transitional™

GRAND Double Robe Hook

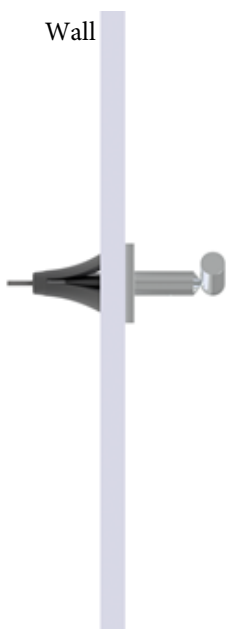
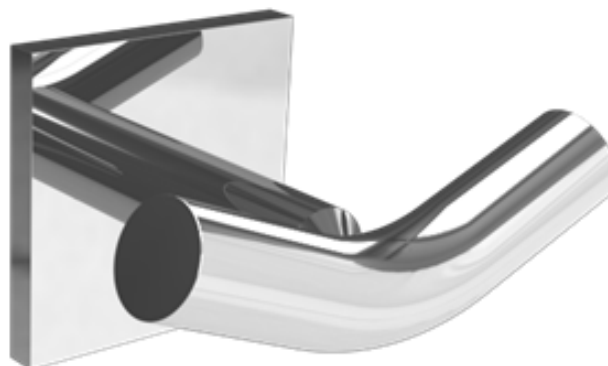
Model:

WMTGDRH

Part Numbers:

WMTGDRHPS
Polished Finish

WMTGDRHSN
Satin Finish



Features:

- Modern design combined with **PATENTED** BridgeBind™ Manufacturing creates the ultimate in bath accessories
- No Lines for Dirt to Collect - Maintenance Free
- Hand Polished Stainless Steel

MECHANICAL DATA

Length: 3.1" (79mm)

Height: 2" (51mm)

Depth: 2.5" (64mm)

COMPOSITION

18-8 (304) Stainless Steel

INSTALLATION

Includes Stainless Steel Screw to Install into **Adequate Structural Blocking**.

Includes 3M® VHB Waterproof Tape.

Can Be Installed with WINGITS® Fasteners when blocking is not available.

RECOMMENDED INTEGRATION

PROPER INSTALLATION REQUIRES use of 3M® VHB Waterproof Tape to stop rotation and **MUST** be installed into **Adequate Structural Blocking** or with optional WINGITS® Fasteners.

WINGITS® MODERN™ design is available in all Bath Accessories.

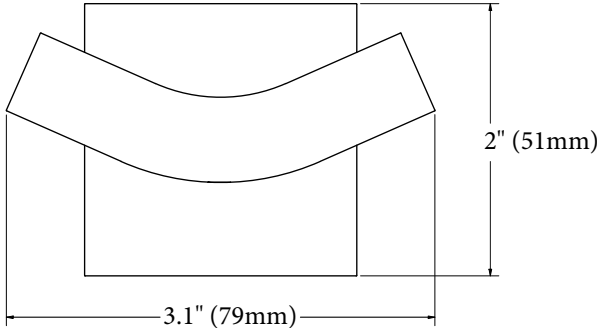
PATENTED

BridgeBind™ Technology

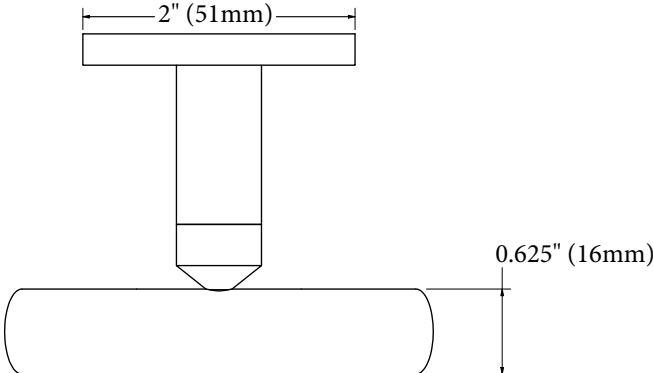


A steel dowel is expertly embedded in a stainless steel tube then arc welded to the tube's far side for the perfect structural synthesis

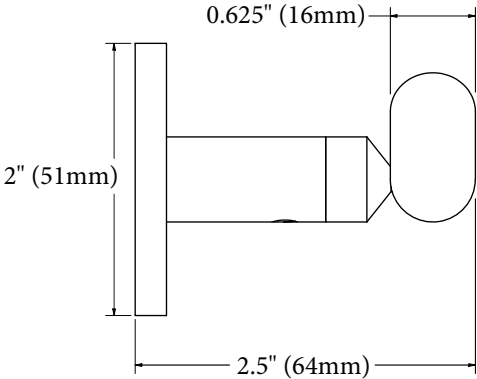
Front



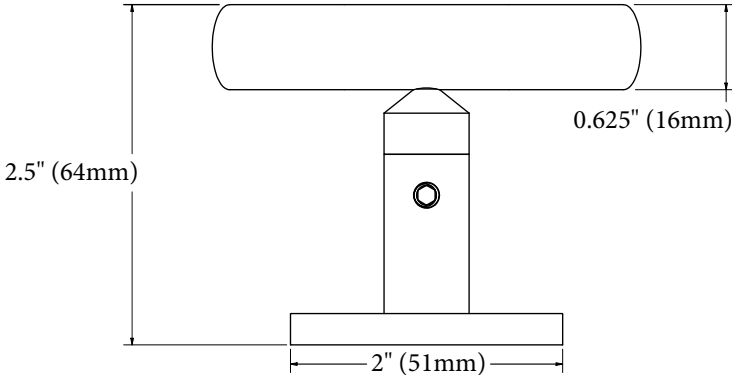
Top



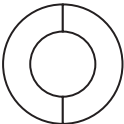

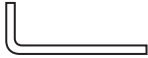

Side



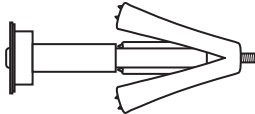
Bottom



Included Hardware

-  3M[®] Waterproof Tape (1)
-  2.5" S/S Screw (1)
-  Allen Wrench (1)
-  Set Screw (1)

**Optional Hardware
(Sold Separately)**

-  WINGITS[®] MASTER Anchor™ (MAW35)
(1)