

WINGITS® MODERN Transitional™

Horizontal Vertical Toilet Paper Holder

Model:
WMTHVTPH

Part Numbers:
WMTHVTPHPS Polished Finish
WMTHVTPHSN Satin Finish



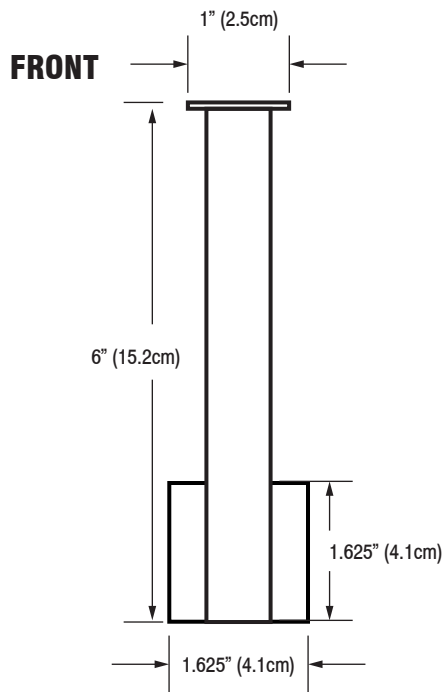
Contemporary design combines with **PATENTED** BridgeBind™ Technology resulting in a Vertical Toilet Paper Holder with:

- Structural Stainless Steel
- Beauty-Functionality-Durability
- No lines for dirt to collect - maintenance free
- Unparalleled strength

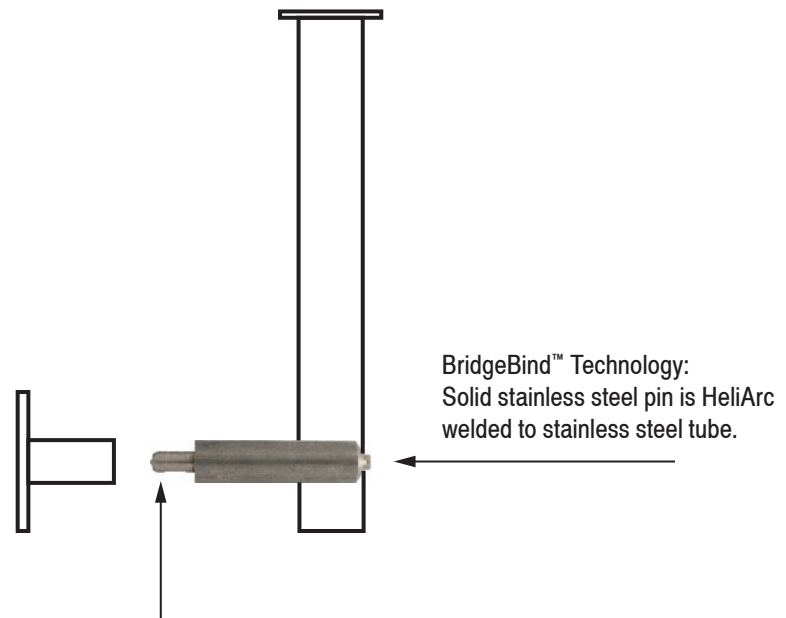
BridgeBind™ Technology is the result of drilling a hole completely through stainless steel tubing, inserting a solid stainless steel pin, and HeliArc Welding the pin to the far point of the tube; solidifying the pin and tube into one piece. Creating the ultimate structural bond.

MECHANICAL DATA
<p>Height: 1.625" (4.1cm) Length: 6" (15.2cm) Projection: 3" (7.6cm)</p>
PRODUCT COMPOSITION
<p>Entire product is 18/8 (304) stainless steel. Solid caps and pin are HeliArc welded to 18 gauge tube.</p>
MODALITY
<p>Use: Can be used in horizontal or vertical position.</p>
INSTALLATION
<p>WINGITS® MODERN Transitional™ Horizontal Vertical Toilet Paper Holders are designed to be installed into adequate structural blocking or with WINGITS® MASTER Anchor Fasteners for MODERN Transitional™ Bath Accessories (MAWME35).</p>
RECOMMENDED INTEGRATION
<p>It is recommended that WINGITS® MASTER Anchor Fasteners for MODERN Transitional™ Bath Accessories (MAWME35) is used with this product.</p>

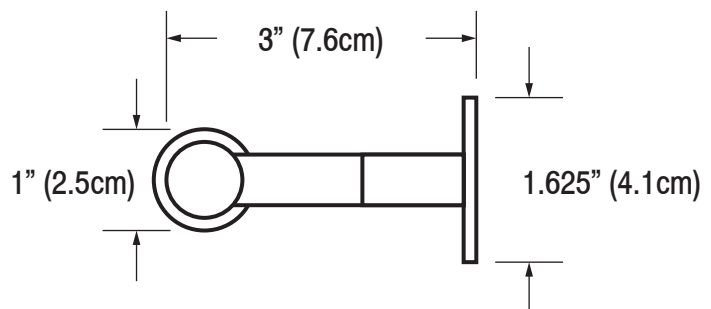
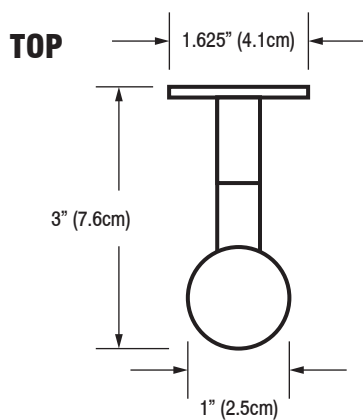
WINGITS®



SIDE



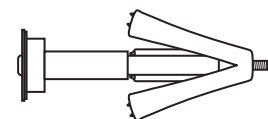
Use the Toilet Paper Holder as its own template.
Put pin to wall to mark drilling location.



INCLUDED HARDWARE



OPTIONAL HARDWARE
(Sold Separately)



Wingits® MASTER Anchor™ for MODERN Transitional™
Bath Accessories (MAWME35) x 1