

WINGITS®

MODERN Transitional™

Single Button Robe Hook

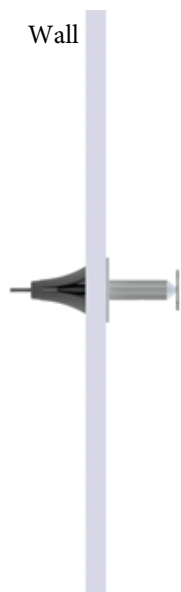
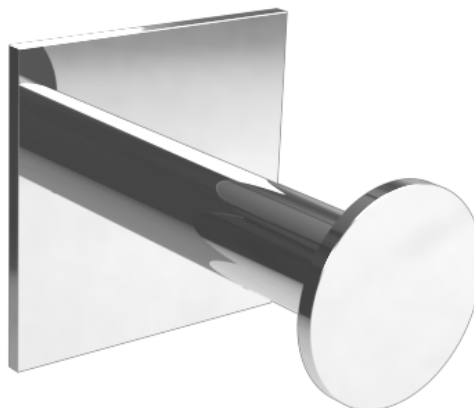
Model:

WMTSBRH

Part Numbers:

WMTSBRHPS
Polished Finish

WMTSBRHSN
Satin Finish



Features:

- Modern design combined with **PATENTED** BridgeBind™ Manufacturing creates the ultimate in bath accessories
- No Lines for Dirt to Collect - Maintenance Free
- Hand Polished Stainless Steel

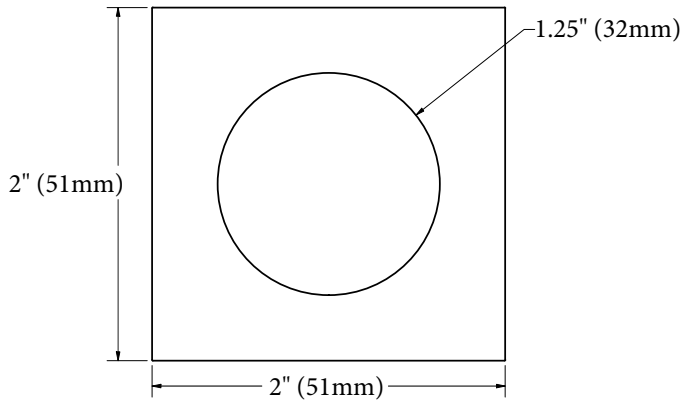
| |
|---|
| MECHANICAL DATA |
| Length: 2" (51mm) |
| Depth: 2.25" (57mm) |
| Height: 2" (51mm) |
| Button Diameter: 1.25" (32mm) |
| COMPOSITION |
| 18-8 (304) Stainless Steel |
| INSTALLATION |
| Includes Stainless Steel Screw to Install into Adequate Structural Blocking . Includes 3M® VHB Waterproof Tape. Can Be Installed with WINGITS® Fasteners when blocking is not available. |
| RECOMMENDED INTEGRATION |
| PROPER INSTALLATION REQUIRES use of 3M® VHB Waterproof Tape to stop rotation and MUST be installed into Adequate Structural Blocking or with optional WINGITS® Fasteners. WINGITS® MODERN™ design is available in all Bath Accessories. |

PATENTED
BridgeBind™ Technology

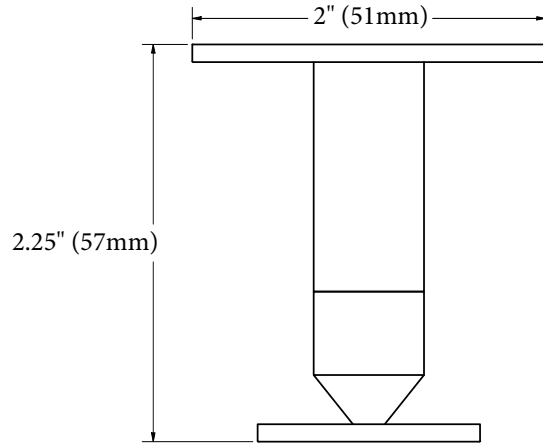


A steel dowel is expertly embedded in a stainless steel tube then arc welded to the tube's far side for the perfect structural synthesis

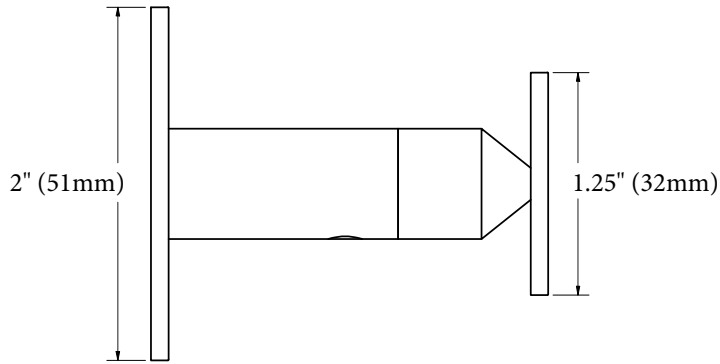
Front



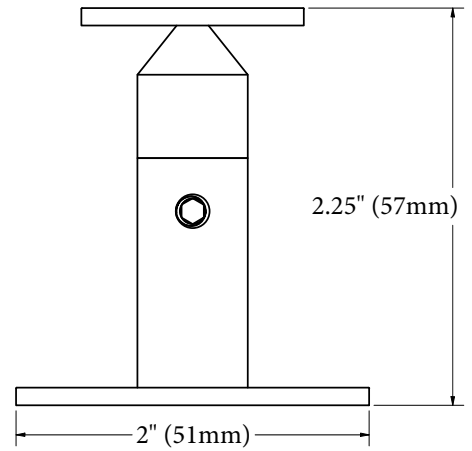
Top



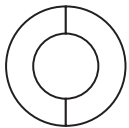
Side



Bottom



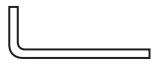
Included Hardware



3M[®] Waterproof Tape (1)



2.5" S/S Screw (1)



Allen Wrench (1)

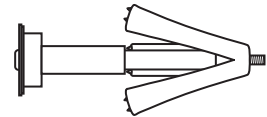


Set Screw (1)



1.25" Screw (1)

**Optional Hardware
(Sold Separately)**



WINGITS[®] MASTER Anchor™ (MAW35)
(1)