

WINGITS® CONTOUR™ OVAL

5' Curved Shower Rod (6" Bow)

Model:
WOCON

GEN 3 - SIMPLY THE BEST CURVED SHOWER ROD EVER!

Our newest and strongest shower rod

Part Numbers:

WOCONPS5NC
5' Curved Shower Rod
Polished Stainless Steel Finish

WOCONSN5NC
5' Curved Shower Rod
Satin Stainless Steel Finish

WOCONPS5REN
5' Curved Shower Rod
Polished Stainless Steel Finish
(Includes **WingIts®** Fasteners)

WOCONSN5REN
5' Curved Shower Rod
Satin Stainless Steel Finish
(Includes **WingIts®** Fasteners)



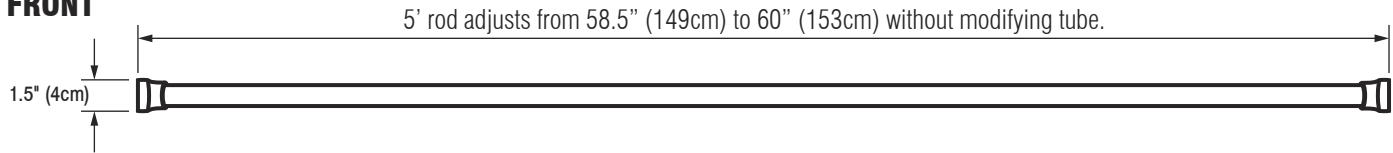
World's Strongest Shower Rod™

- No unsightly joints or hinges. Just clean, flowing lines.
- Hidden multi-vector interlock; keeps the rod from sagging. Guaranteed.
- Structure, durability, and ease of use for all curtain types.
- The simplest installation of all curved rods.
- Can install in drywall with **WingIts®** Fasteners (included in some models).
- Maintenance free. No exposed 'hinge' to clean or re-tighten.

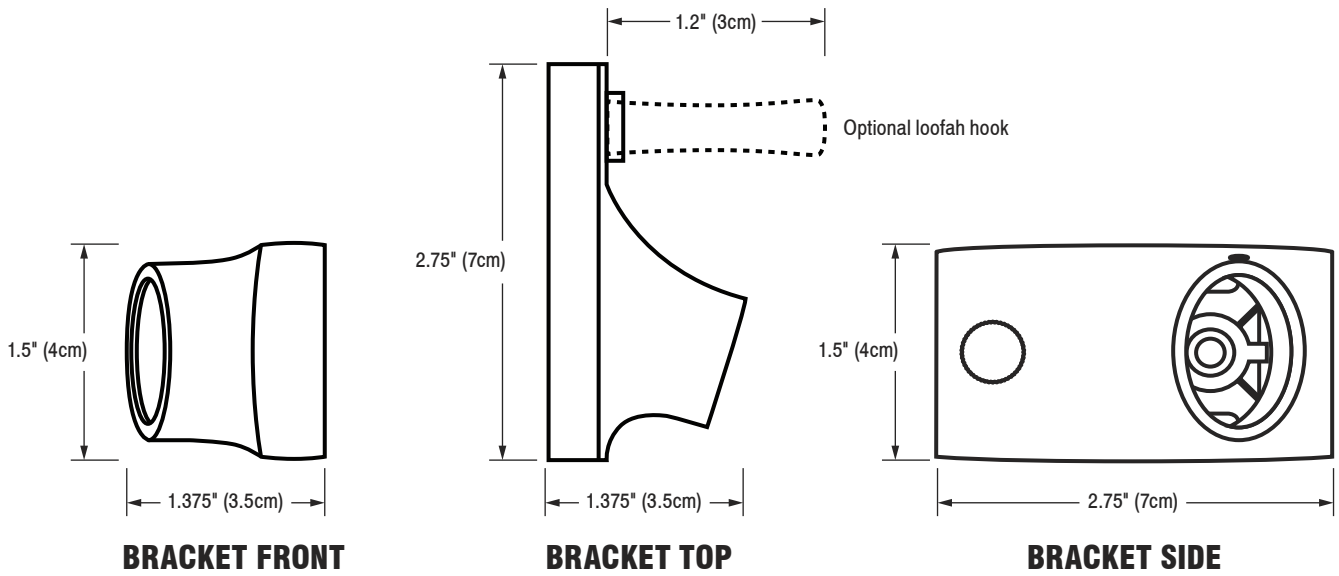
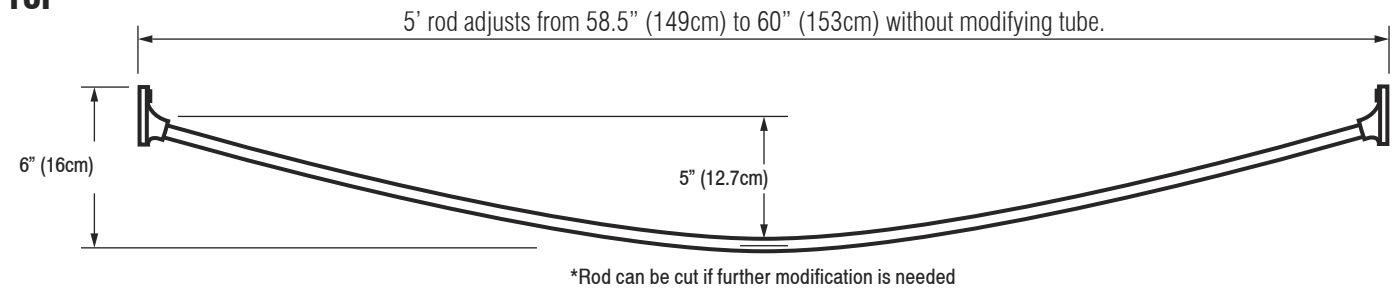
MECHANICAL DATA
<p>Height: 1.5" (4cm) Length: 5' rod adjusts from 58.5" (149cm) to 60" (153cm) without modifying tube. Projection: Rod projects 6" (16cm) Rod Dimensions: Rod is 0.625" (1.6cm) thick, 1" (2.5cm) tall oval.</p>
PRODUCT COMPOSITION
<p>Tubing: 22 gauge stainless steel. Bracket: Polished chrome plated zinc.</p>
MODALITY
<p>Use: Shower wall installation.</p>
INSTALLATION
<p>NC Part Number: CONTOUR™ OVAL Curved Shower Rods with "NC" part number must be installed into adequate structural blocking or with optional WingIts® Fasteners.</p> <p>REN Part Number: CONTOUR™ OVAL Curved Shower Rods with "REN" part number include WingIts® Hollow Wall Anchors.</p>
RECOMMENDED INTEGRATION
<p>For hollow wall construction, it is recommended that WingIts® Hollow Wall Anchors are used with this product.</p>

WINGITS®

FRONT



TOP

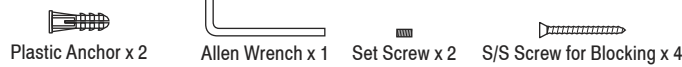


BRACKET FRONT

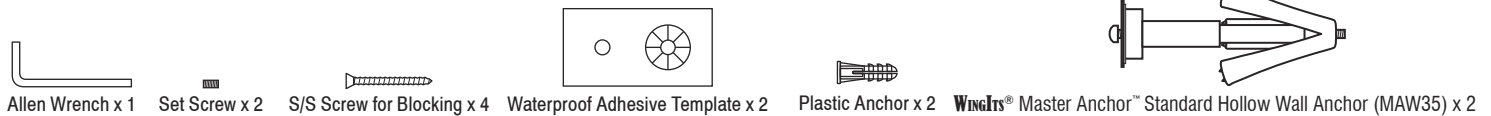
BRACKET TOP

BRACKET SIDE

NC KIT INCLUDED HARDWARE



REN KIT INCLUDED HARDWARE



WOCON(PS)(SN)5(NC)(REN)_SPECSHEET_20141015