

# WINGITS®

## Recessed

## Double Toilet Paper Holders

Model:

# WRDTPH

### Part Numbers:

**WRDTPHPS**  
Polished Finish

**WRDTPHSN**  
Satin Finish

**WRDTPHPSH**  
Polished Finish  
with Hoods

**WRDTPHSNH**  
Satin Finish  
with Hoods



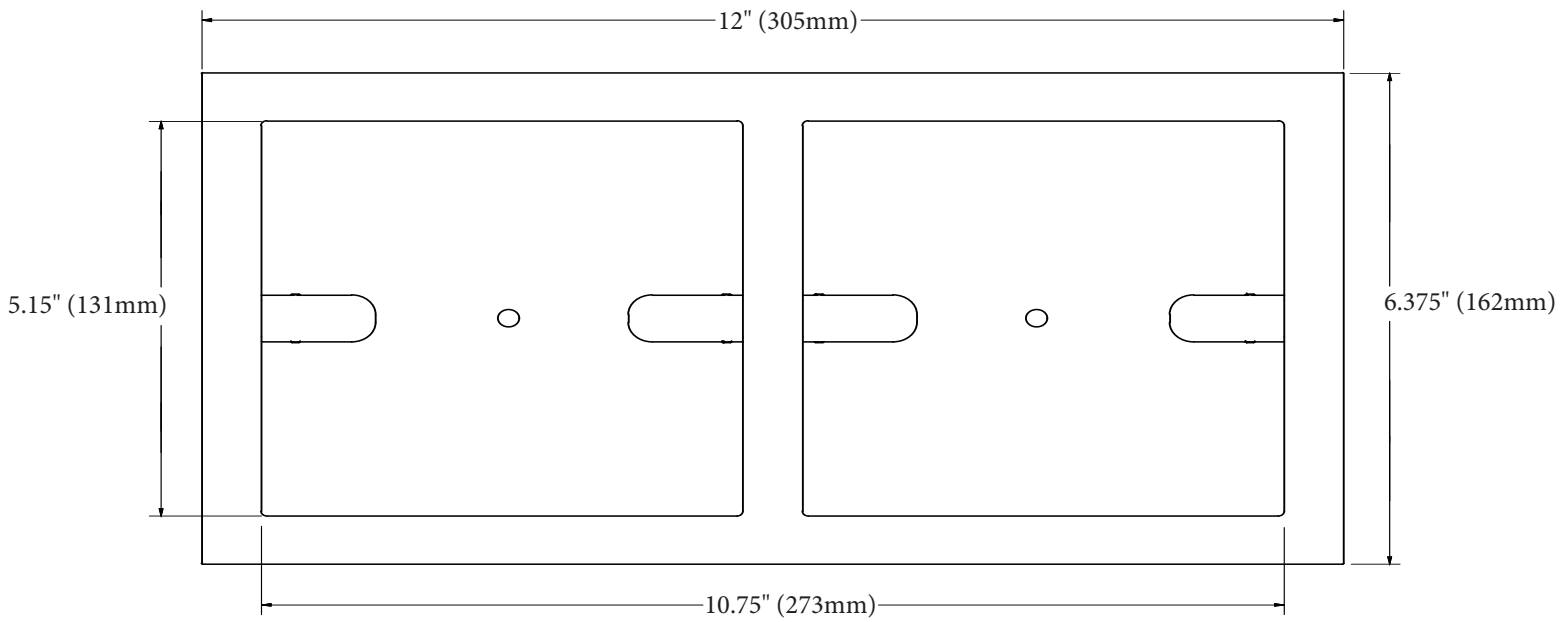
### Features:

- Stainless Steel Construction
- Beauty, Functionality & Durability
- Available with Hoods or without and in Satin or Bright Hand Polished Finish
- Recessed Design Creates More Space

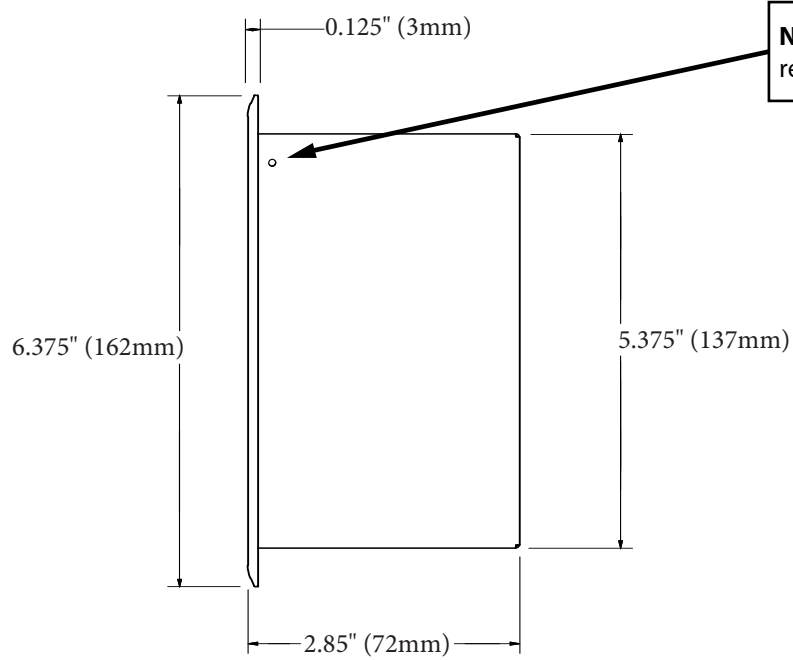


<b>MECHANICAL DATA</b>
Length: 12" (305mm)
Height: 6.375" (162mm)
Depth: 0.125" (3mm)
<b>COMPOSITION</b>
Stainless steel with spring-loaded retractable spindle
<b>INSTALLATION</b>
WINGITS® Recessed Toilet Paper Holders are designed to be installed into hollow walls. Screws and plastic wall anchors included.

**Front**



**Side**



**NOTE:** For Exposed Toilet Paper remove set screws and hoods.

**Included Hardware**

