

# WINGITS®

## SIMPLE Squared™

### Stainless Steel Double Robe Hook

Model:

# WSMPSQDRH

Part Numbers:

WSMPSQDRHPS  
Polished Finish

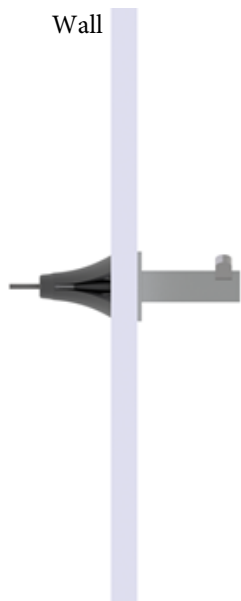
WSMPSQDRHSN  
Satin Finish



Radiused Edges for Safety

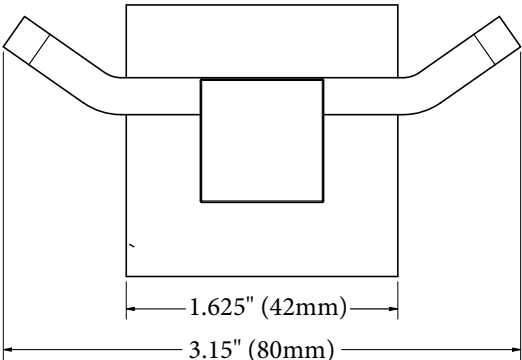
#### Features:

- Minimal, SIMPLE Design
- ALL 18-8 (304) Stainless Steel Construction
- Can Be Installed with WINGITS® Fasteners (optional)
- Superior Structure with Beautiful Finish
- Our Simple Elegance™ Design SQUARED

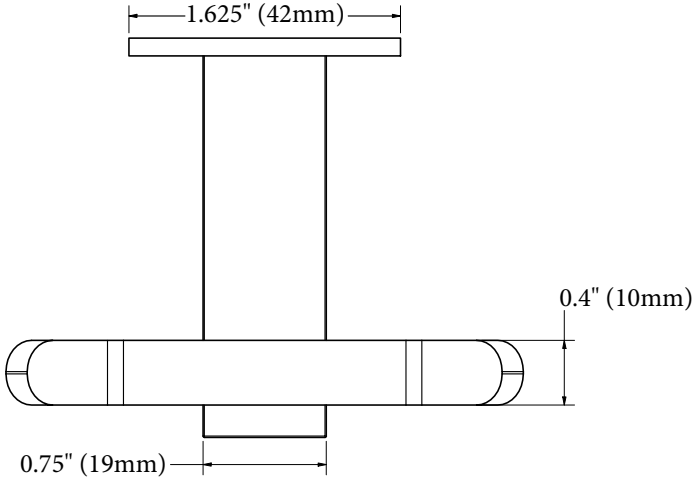


<b>MECHANICAL DATA</b>
Length: 3.15" (80mm)
Height: 1.625" (41mm)
Depth: 2.5" (64mm)
<b>COMPOSITION</b>
18-8 (304) Stainless Steel
<b>INSTALLATION</b>
Includes Stainless Steel Screws to Install into <b>Adequate Structural Blocking</b> . Includes 3M® VHB Waterproof Tape. Can Be Installed with WINGITS® Fasteners when blocking is not available.
<b>RECOMMENDED INTEGRATION</b>
<b>PROPER INSTALLATION REQUIRES</b> use of 3M® VHB Waterproof Tape to stop rotation and <b>MUST</b> be installed into <b>Adequate Structural Blocking</b> or with optional WINGITS® Fasteners.
WINGITS® SIMPLE™ design is available in all Bath Accessories.

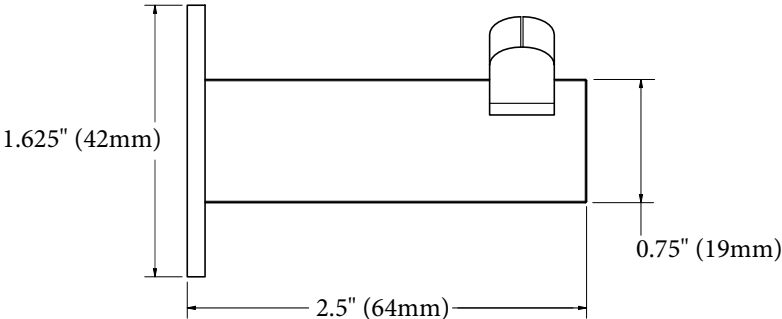
Front



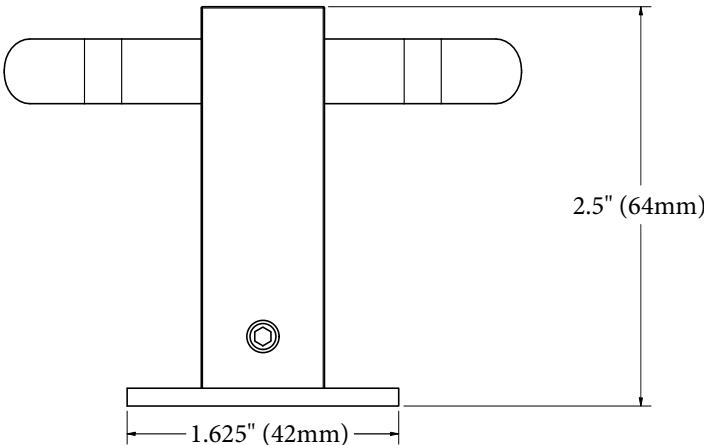
Top





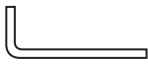

Side



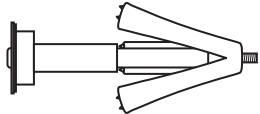
Bottom



Included Hardware

-  3M<sup>®</sup> Waterproof Tape (1)
-  Steel Screw (1)
-  Allen Wrench (1)
-  Set Screw (1)

Optional Hardware  
(Sold Separately)

-  WINGITS<sup>®</sup> MASTER Anchor™ (MAW35) (1)