

# WINGITS®

## 3-Tier Structural Shelf Drawer System

Model:  
**WTSBC**

**Part Numbers:**

**WTSBCTK211451**  
Matching Laminate Drawers  
Revive Program  
Studio Teak

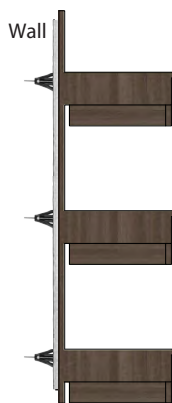
**WTSBCLW211451**  
Matching Laminate Drawers  
Bloom Program  
Landmark Wood

**WTSBCWBTK211451**  
Structural Wire Baskets  
Revive Program  
Studio Teak

**WTSBCWBLW211451**  
Structural Wire Baskets  
Bloom Program  
Landmark Wood

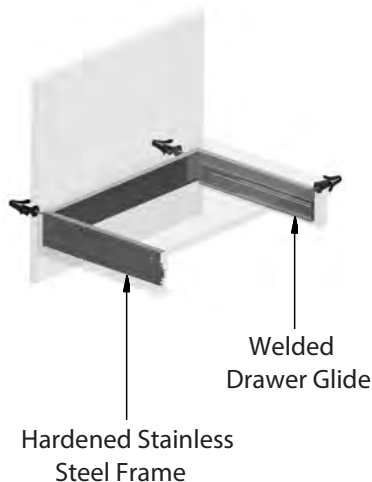


Includes World's Strongest Fasteners®

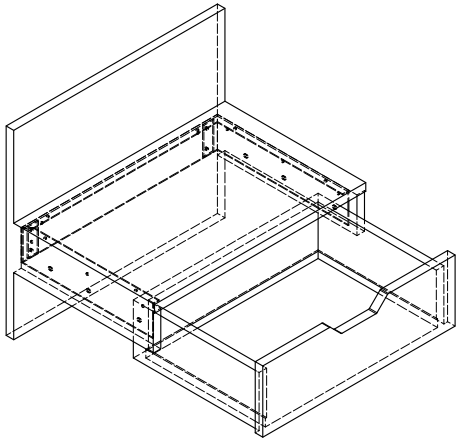


**Features:**

- Highest Quality Shelf/Drawer System - **Rated up to 250lbs**
- Engineered, Hardened Stainless Steel Sub-Frame Incorporated Throughout
- Shelf/Drawer Construction has Proprietary Hardwood Dowel Configuration
- Accuride Drawer Glide Welded to Sub-Frames to Ensure Structural Integrity
- **CARB Compliant** and **MADE in the USA**

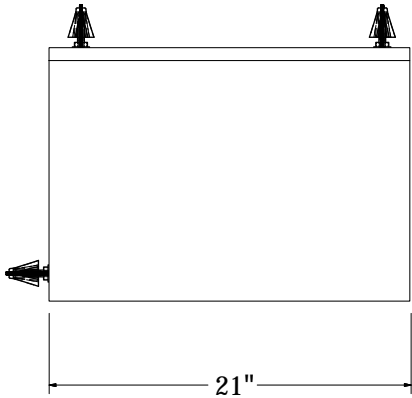


<b>MECHANICAL DATA</b>
<b>Height:</b> 51" (1295mm)
<b>Length:</b> 21" (533mm)
<b>Depth:</b> 14" (355mm)
<b>COMPOSITION</b>
Engineered and Hardened Stainless Steel Sub-frame is attached throughout Shelf and welded to Accuride Full-Extension 3823-12 Drawer Glides for unmatched structural integrity. <b>Finish:</b> Available in Wilsonart Standard Laminate #7960k-18 Studio Teak or Wilsonart Standard Laminate #7981K-18 Landmark Wood Linearty Finish
<b>INSTALLATION</b>
WINGITS® Patented Fastening Systems and Screws are provided for installation into both blocking and hollow-wall construction.

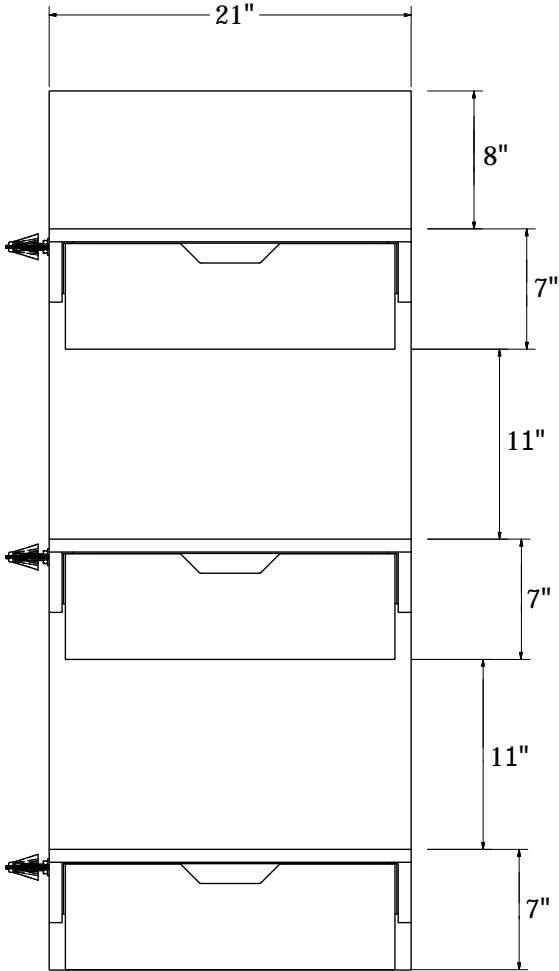


Cropped View: Single Drawer

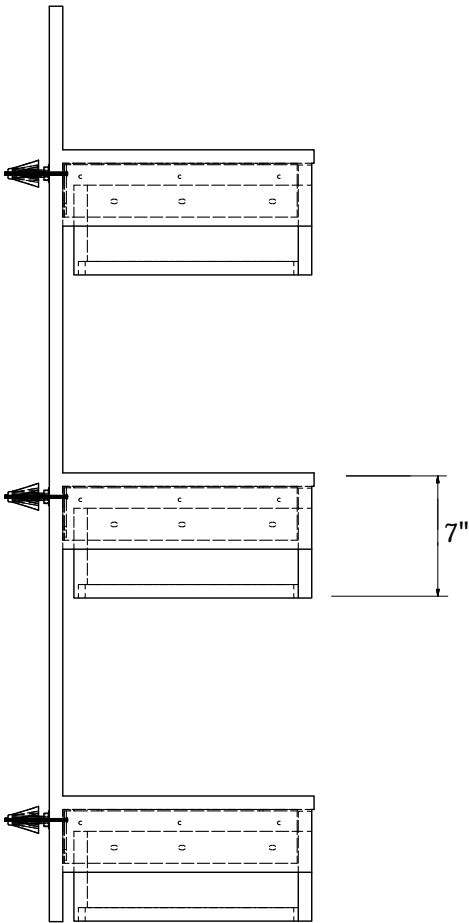
**TOP**



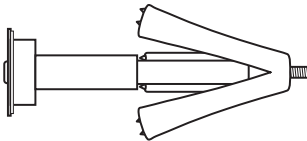
**FRONT**



**SIDE**



**Included Hardware**



WINGITS® MASTER Anchor (MAW45)  
(9)