

WINGITS®

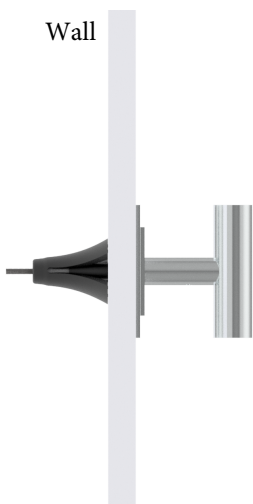
BOLD Elegance™ Stainless Steel Coat Hook

Model:
WXEBSCH

Part Numbers:

WXEBSCHPS
Polished Finish

WXEBSCHSN
Satin Finish



Features:

- Modern design combined with **PATENTED** BridgeBind™ Manufacturing creates the ultimate in bath accessories
- No Lines for Dirt to Collect - Maintenance Free
- Hand Polished Stainless Steel
- New Dual-Step Design Brings **Boldness** and Adds Class to Any Setting

MECHANICAL DATA

Length: 3" (76mm)
Height: 3" (76mm)
Depth: 2.625" (67mm)

COMPOSITION

18-8 (304) Stainless Steel

INSTALLATION

Includes Stainless Steel Screw to Install into **Adequate Structural Blocking**.
Includes 3M® VHB Waterproof Tape.
Can Be Installed with WINGITS® Fasteners when blocking is not available.

RECOMMENDED INTEGRATION

PROPER INSTALLATION REQUIRES use of 3M® VHB Waterproof Tape to stop rotation and **MUST** be installed into **Adequate Structural Blocking** or with optional WINGITS® Fasteners.

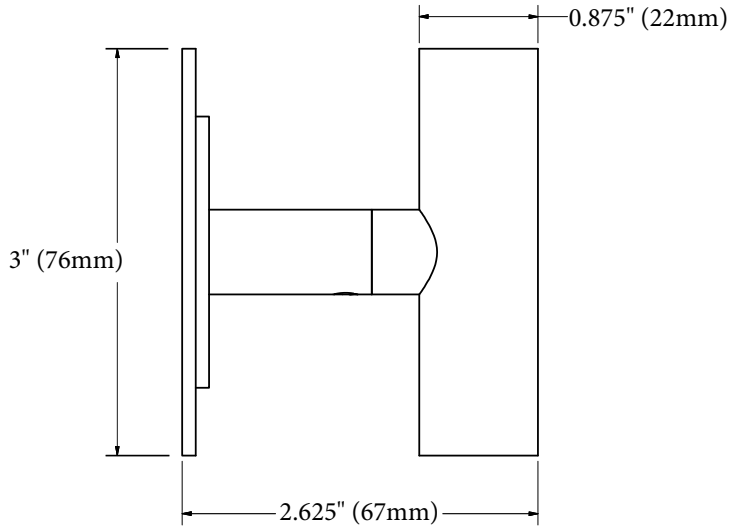
WINGITS® BOLD™ design is available in all Bath Accessories.

PATENTED
BridgeBind™ Technology

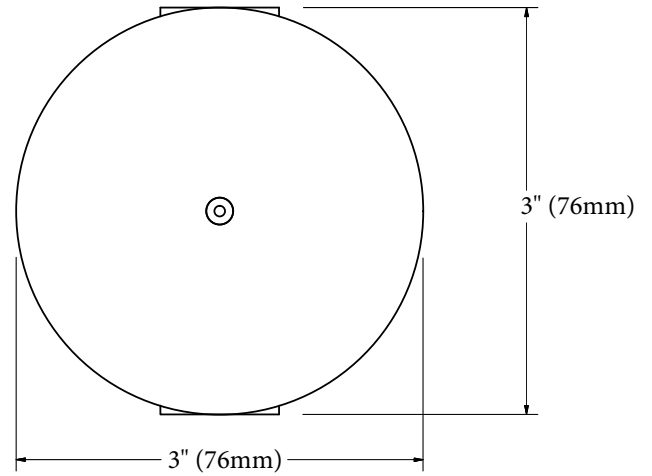


A steel dowel is expertly embedded in a stainless steel tube then arc welded to the tube's far side for the perfect structural synthesis

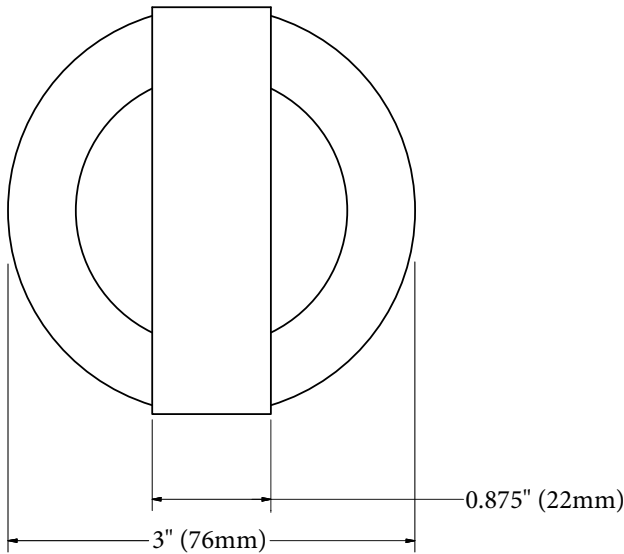
Side



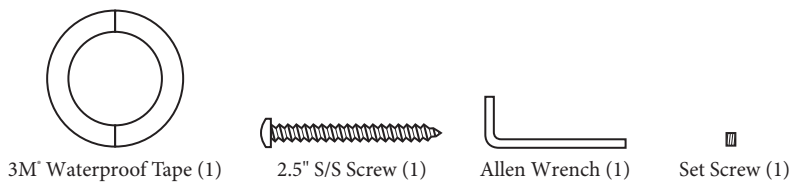
Back



Front



Included Hardware



**Optional Hardware
(Sold Separately)**

