

# WINGITS®

## MAX Elegance™

### GRAND Double Coat Hook

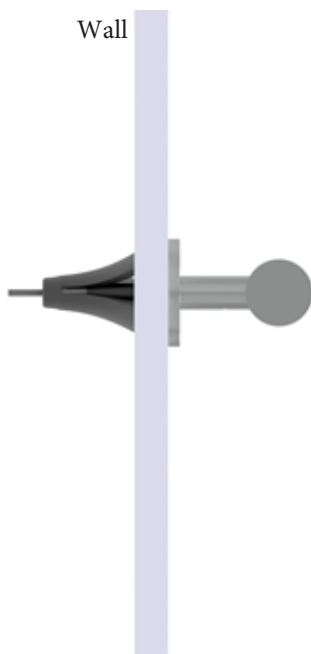
Model:

# WXEGDCH

Part Numbers:

WXEGDCHPS  
Polished Finish

WXEGDCHSN  
Satin Finish



**Features:**

- Modern design combined with **PATENTED** BridgeBind™ Manufacturing creates the ultimate in bath accessories
- No Lines for Dirt to Collect - Maintenance Free
- Hand Polished Stainless Steel

**MECHANICAL DATA**

Length: 3" (76mm)  
Height: 2" (51mm)  
Depth: 2.6875" (68mm)

**COMPOSITION**

18-8 (304) Stainless Steel

**INSTALLATION**

Includes Stainless Steel Screws to Install into **Adequate Structural Blocking**.  
Includes 3M® VHB Waterproof Tape.  
Can Be Installed with WINGITS® Fasteners when blocking is not available.

**RECOMMENDED INTEGRATION**

**PROPER INSTALLATION REQUIRES** use of 3M® VHB Waterproof Tape to stop rotation and **MUST** be installed into **Adequate Structural Blocking** or with optional WINGITS® Fasteners.

WINGITS® MAX Elegance™ design is available in all Bath Accessories.

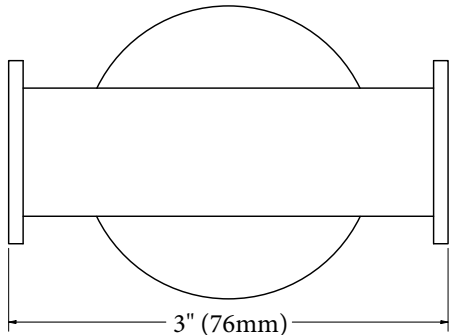
PATENTED

### BridgeBind™ Technology

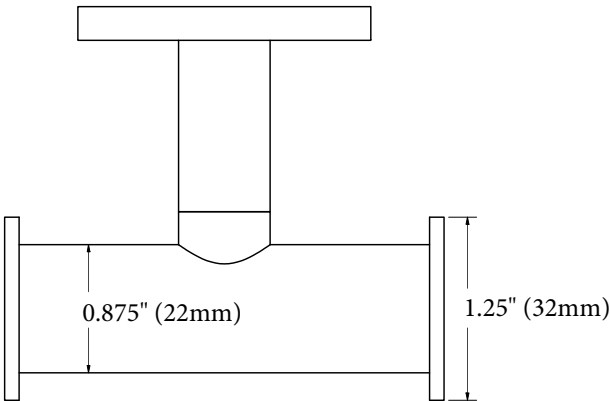


A steel dowel is expertly embedded in a stainless steel tube then arc welded to the tube's far side for the perfect structural synthesis

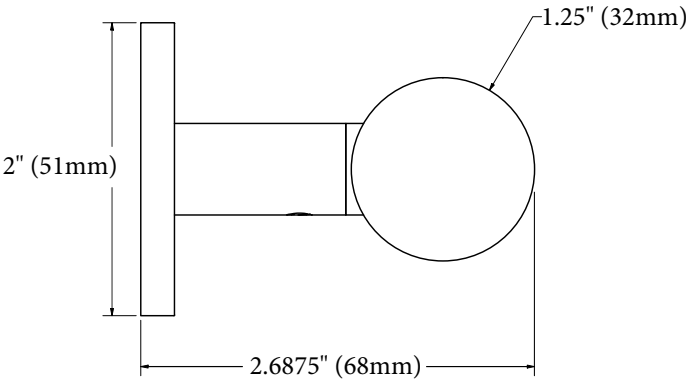
Front



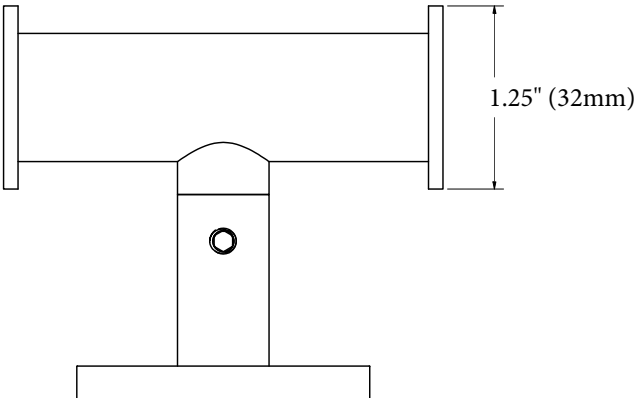
Top



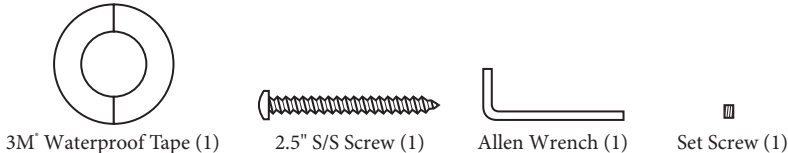
Side



Bottom



Included Hardware



Optional Hardware  
(Sold Separately)

