

WINGITS®

MAX Elegance™

GRAND Single Button Robe Hook

Model:

WXEGSBRH

Part Numbers:

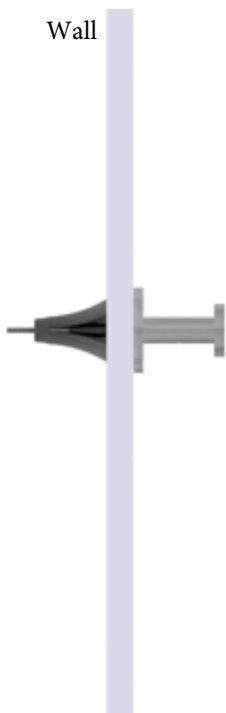
WXEGSBRHPS
Polished Finish

WXEGSBRHSN
Satin Finish



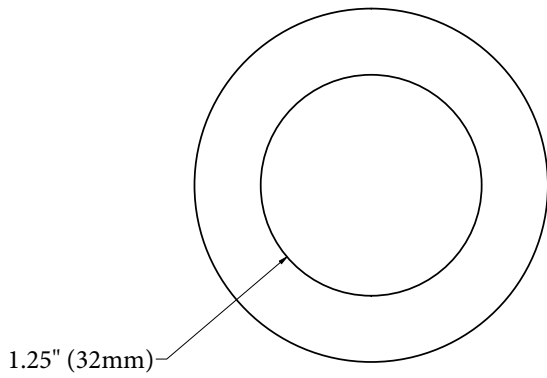
Features:

- No Lines for Dirt to Collect - Maintenance Free
- Hand Polished Stainless Steel
- Beauty, Functionality & Durability

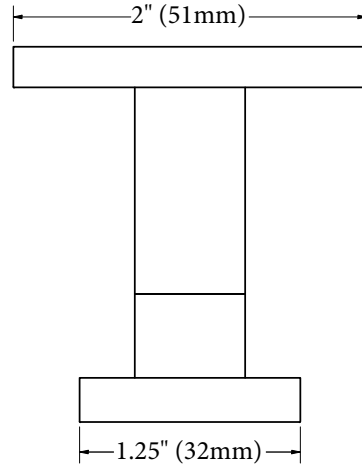


MECHANICAL DATA
Length: 2" (51mm) Height: 2" (51mm) Depth: 2.125" (54mm)
COMPOSITION
18-8 (304) Stainless Steel
INSTALLATION
Includes Stainless Steel Screws to Install into Adequate Structural Blocking . Includes 3M® VHB Waterproof Tape. Can Be Installed with WINGITS® Fasteners when blocking is not available.
RECOMMENDED INTEGRATION
PROPER INSTALLATION REQUIRES use of 3M® VHB Waterproof Tape to stop rotation and MUST be installed into Adequate Structural Blocking or with optional WINGITS® Fasteners. WINGITS® MAX Elegance™ design is available in all Bath Accessories.

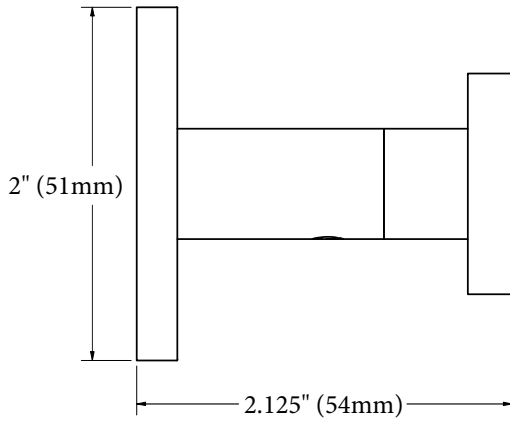
Front



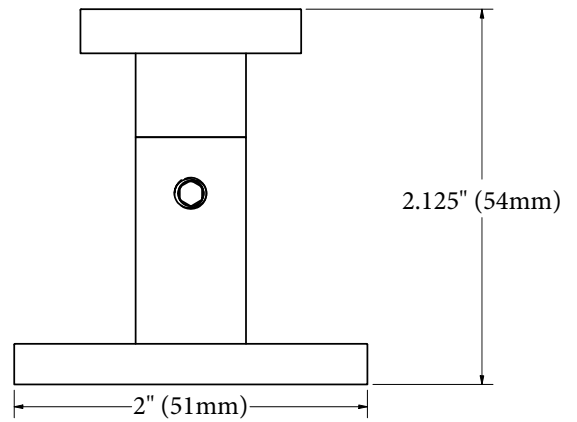
Top



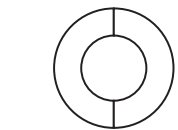
Side



Bottom



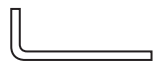
Included Hardware



3M[®] Waterproof Tape (1)



2.5\" S/S Screw (1)

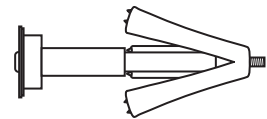


Allen Wrench (1)



Set Screw (1)

**Optional Hardware
(Sold Separately)**



WINGITS[®] MASTER Anchor[™] (MAW35)
(1)